

1.1: Precut Patches	2
1.2: Oellerking Container Customs Patch Application	3
1.3: Oellerking Container Tarpaulins	4
1.4: Accessories for Container Tarpaulins & Patches	5
1.5: Tarp Hooks	8

1.1 Precut Patches

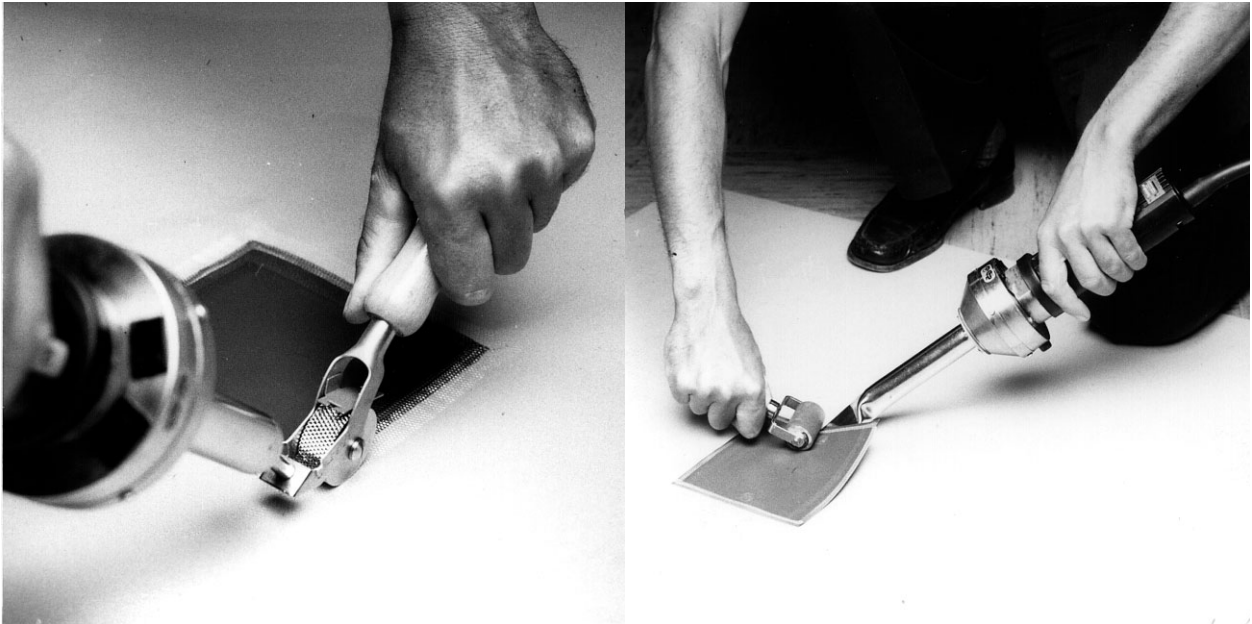
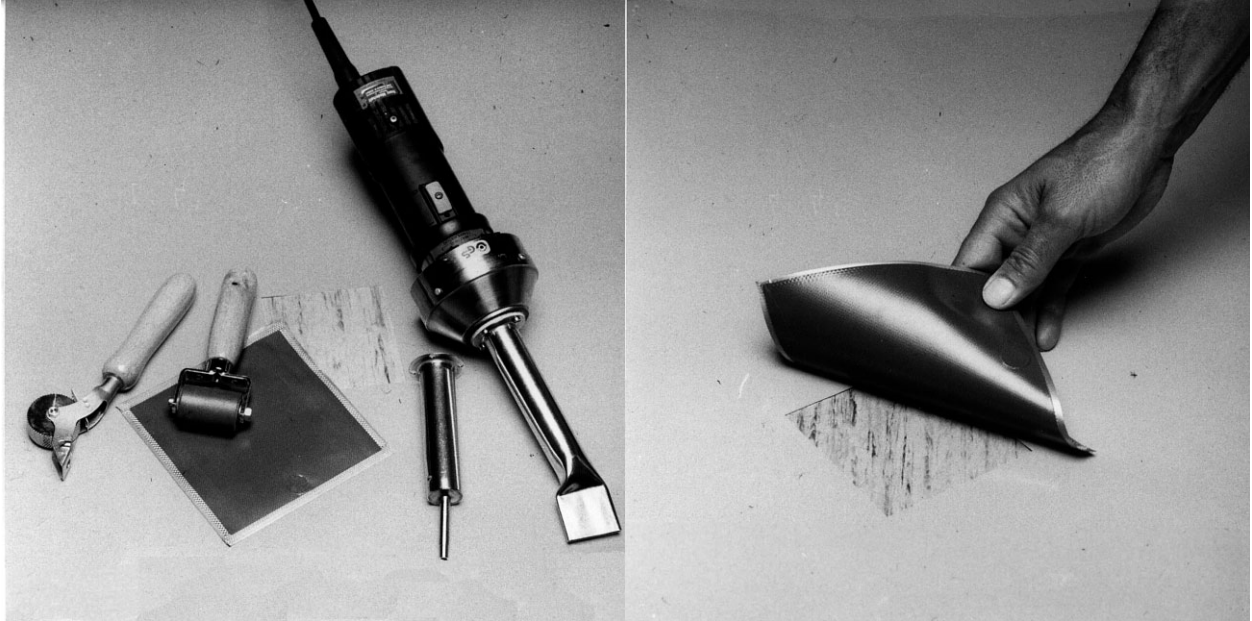
Precut patches, consisting of genuine OELLERKING container cover material with customs-approved welded plastic tape on all sides. Prepackaged in polyethylene bags with handle for easy storage, one size and color per package.

Type A=contents 50 pcs. Type B=contents 25 pcs. Type C=contents 100 pcs. Type D=contents 10 pcs.

Type A Dimensions	100 x 250 mm = 4" x 10"	1 packing unit = 50 pcs.
	150 x 150 mm = 6" x 6"	1 packing unit = 50 pcs.
	150 x 250 mm = 6" x 10"	1 packing unit = 50 pcs.
	250 x 300 mm = 10" x 12"	1 packing unit = 50 pcs.
Type B Dimensions	100 x 500 mm = 4" x 20"	1 packing unit = 25 pcs.
	150 x 500 mm = 6" x 20"	1 packing unit = 25 pcs.
	250 x 400 mm = 10" x 16"	1 packing unit = 25 pcs.
	250 x 600 mm = 10" x 24"	1 packing unit = 25 pcs.
Type C Dimensions	100 x 100 mm = 4" x 4"	1 packing unit = 100 pcs.
Type D Dimensions	1000 x 150 mm = 40" x 6"	1 packing unit = 10 pcs.
	2500 x 150 mm = 100" x 6"	1 packing unit = 10 pcs.
	2500 x 250 mm = 100" x 10"	1 packing unit = 10 pcs.
	2500 x 100 mm = 100" x 4"	1 packing unit = 10 pcs.
	500 x 500 mm = 20" x 20"	1 packing unit = 10 pcs.

Patches on a Roll 250 x 30,480 mm = 10" x 100'
 (one per package) and: 100 x 30,480 mm = 4" x 100'
 Colors available: blue and green (other colors upon request)
 Minimum quantity: 1 packing unit

1.2 Oellerking Container Customs Patch Application



1.3 Oellerking Container Tarpaulins

Come to Martec for a custom fit

We have your tarp in our inventory

If not, we will make it from
 18 oz. or 22 oz. material
 according to your specifications

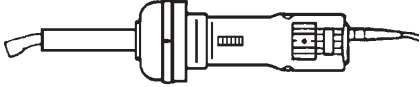
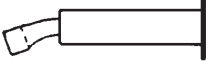
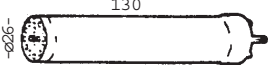


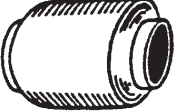

Made of PVC coated Trevira tenacity fabrics

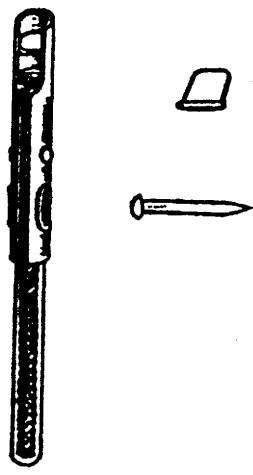
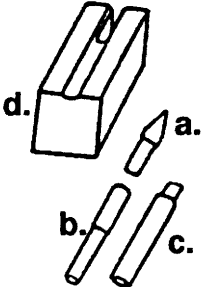







For open-top containers, flats & open-side containers
 with custom cables and all accessories.

Base Fabric	Polyester DTEX 1100
Weight	22 oz. approx. 620 g/sqm ± 5% 18 oz. approx. 510 g/sqm ± 5%
Tenacity	Warp approx. 3000 N/5 cm Weft approx. 2800 N/5 cm
Tear Resistance	Warp approx. 300 N/5 cm Weft approx. 250 N/5 cm
Resistance to Frost	-30° C (243° K)
Resistance to Heat	When placed into drying cabinet at +80° C no exudation of softening agents
Flame Retardance	DIN 75200
Dimension Stability	Shrinkage and lengthening not more than 1% in warp and weft
Light Fastness	7-8 (except white)
Adhesion	100 N/5 cm

1.4 Accessories for Container Tarpaulins & Patches

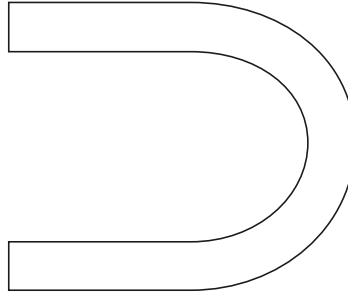
Article Number		Description
Z01		Hot air welding device 110 Volt or 220 Volt Including broad slot nozzle - 40 mm
Z02		Whole set consisting of: <ul style="list-style-type: none"> • Hot air welding device • Broad slot nozzle - 40 mm • Round nozzle - 20 mm • Customs tape roller • Broad band roller
Z05 Z06 Z07		Broad slot nozzle - 20 mm Broad slot nozzle - 40 mm Round slot nozzle - 5 mm
Z08 Z09		Heating element - 110 Volt Heating element - 220 Volt
Z04		Broad band roller
Z10		Customs tape roller
Z11		Customs tape, made of weldable plastic, in accordance with customs regulation. Width = 9 mm (0.36 in.) Rolls are approx. 150 m (492')
Z13		Tarpaulin cable, customs proof type steel cable, is sheathed with clear PVC, 6 mm dia., with wide core 3 mm dia. Available on coils of approx. 500 m (1650')
Z12		Ready-made customs cable, customs proof type steel cable with 6 mm dia. Cable sealing ends are attached to both sides including oval tubular rivet and pointed rivet. <ul style="list-style-type: none"> • For 20' Container • For 40' Container • For 35' Container

Article Number		Description
Z14 Z14B		Cable sealing ends in accordance with customs regulations for 6 mm tarpaulin cable, including oval tubular rivet and galvanized pointed rivet. Packing unit: 100 complete B. Oval rivets and pointed rivets per 100.
Z15		Driving tool for the fastening of customs sealing ends on the tarpaulin cable 6 mm dia. Complete set (a-d)
Z16		Spike (a) Spare part for Z15
Z16A		Clamp for spike (b)
Z16B		Stemple (c)
Z16C		Body (d)
Z26		Driving hammer with leather covering for the affixing of grommets
Z17 Z19		Oval grommets Brass, approx. 40 x 20 mm (1.6" x 0.80") Steel, approx. 40 x 20 mm (1.6" x 0.80")

Article Number		Description
Z18 Z20 Z20A Z20B Z20C Z20D Z20E Z20F		Round grommets Brass, approx. 40 mm dia. (1.6") Steel, approx. 40 mm dia. (1.6") Brass, approx. 25 mm dia. (1.0") Steel, approx. 25 mm dia. (1.0") Brass, approx. 18 mm dia. (0.7") Steel, approx. 18 mm dia. (0.7") Brass, approx. 10 mm dia. (0.4") Steel, approx. 10 mm dia. (0.4")
Z23 Z24 Z24A Z24B Z24C		Hand-clasp iron For oval grommets 40 x 20 mm (1.6" x 0.8") For round grommets 40 mm dia. (1.6") For round grommets 25 mm dia. (1.0") For round grommets 18 mm dia. (0.7") For round grommets 10 mm dia. (0.4")
Z21 Z22 Z22A Z22B Z22C		Hollow punch For oval grommets approx 40 x 20 mm (1.6" x 0.8") For round grommets approx 40 mm dia. (1.6") For round grommets approx 25 mm dia. (1.0") For round grommets approx 18 mm dia. (0.7") For round grommets approx 10 mm dia. (0.4")

Please also ask for Con Glue, our tarp patch glue/brush applicator

1.5 Tarp Hooks



1. 17THOOKS