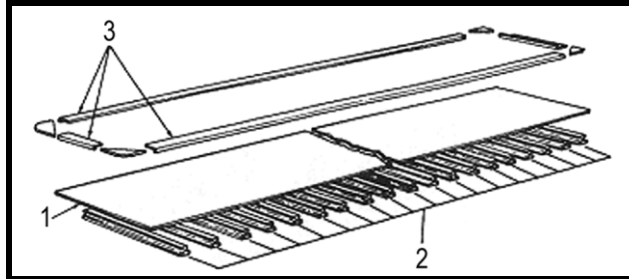


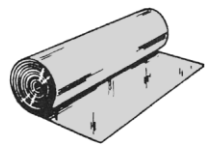
2.1: Roof Assembly .....	2
2.2: Front Wall Assembly .....	14
2.3: Side Wall Assembly .....	27
2.4: Rear Frame.....	80
2.5: Flooring.....	84
2.6: Upper Subframe Assembly .....	87
2.7: Rear Impact Guards & Components .....	93
2.8: Twist Locks and Accessories.....	96
2.9: Decals .....	120
2.10: Locks, Hinges & Springs .....	143
2.11: Rolltrailers & Accessories .....	149
2.12: Miscellaneous Body Parts.....	156

## 2.1 Roof Assembly

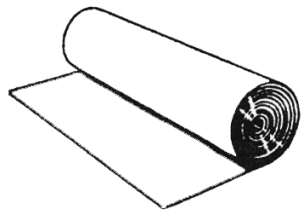
	<p><b>ROOF ASSEMBLY</b></p> <ol style="list-style-type: none"> <li>1. Roofing</li> <li>2. Roof Bows</li> <li>3. Roof Retainer &amp; Cover Moulding</li> <li>4. Roof Accessories</li> </ol>
---	--

### 2.1.1: ROOFING

#### 2.1.1.1: ALUMINUM ROOFING

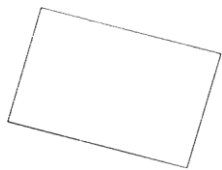
Part Number	Material	Description	Figure
ALU1-1	Aluminum	.040" x 96" x length	
ALU1-4	Aluminum	.040" x 103" x length	

#### 2.1.1.2: TRANSLUCENT ROOFING

Part Number	Material	Description	Figure
KEM60-1	Kemlite	.060" x 102" x length	
KEM60-1-33	Kemlite	.060" x 102" x 33'	
KEM60-1-53	Kemlite	.060" x 102" x 53'	
KEMETR102.5X54	Kemlite Enhanced Tear Resistance	.075" x 102.5" x 54'	
KEM75-1	Kemlite	.075" x 102" x length	
KEM75-1-49	Kemlite	.075" x 102" x 49'	
KEM75-1-54	Kemlite	.075" x 102" x 54'	
KEMTRFW.075X500*	Kemlite	.075" x 102" x 500'	
USLBTR05X102X54	Bulitex	.050" x 102" x 54'	

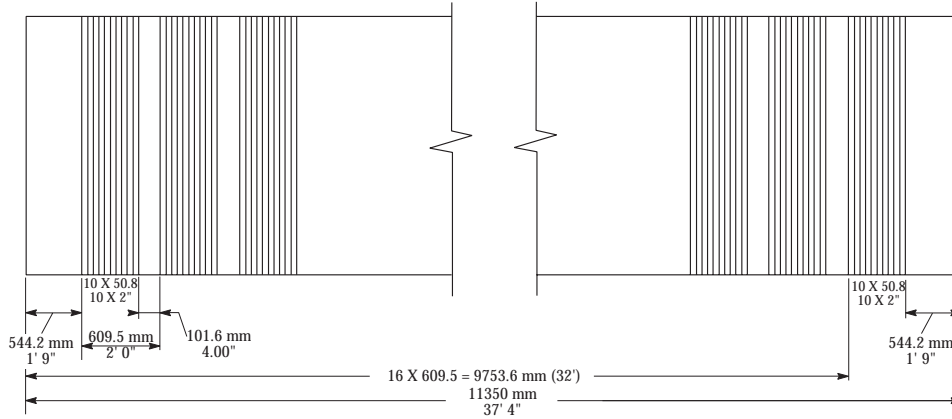
\* This product is approved for Aftermarket replacement only.

#### 2.1.1.3: FRP REPLACEMENT ROOF PANEL

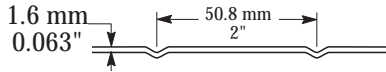
Part Number	Material	Description	Figure
CRT50-10	FRP	.050" x 94.75" x 10'	

2.1.1.4: ROOF COILS

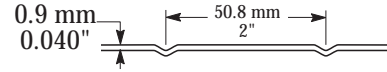
Corrugated Roof Coil



Material: AA5052-H34 or 3003-H16

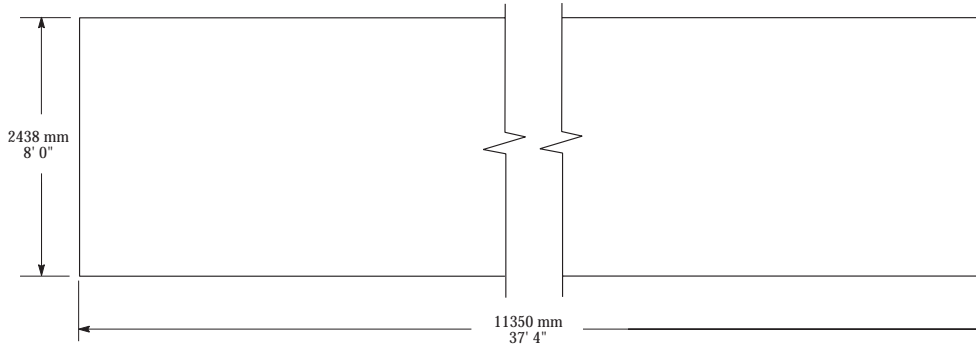


1. 39RFRCOR (Outer)



1. 39RFRCORI (Inner)

Flat Roof Coil



Material: AA5052-H34 or 3003-H16

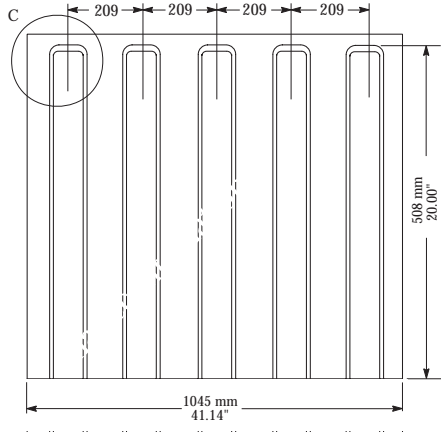


1. 53RF063COIL



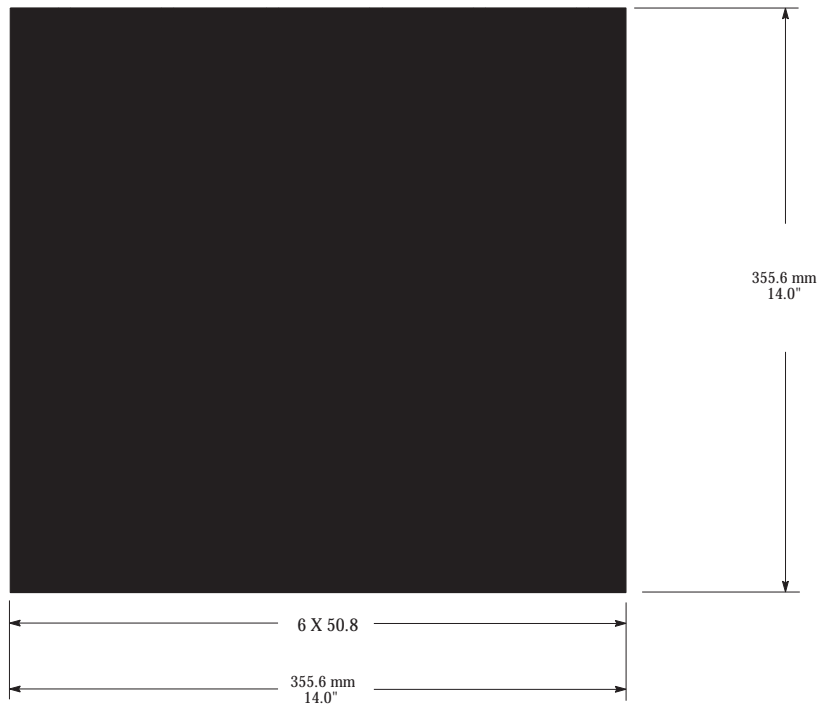
1. 53RF040COIL

2.1.1.5: ROOF PATCHES



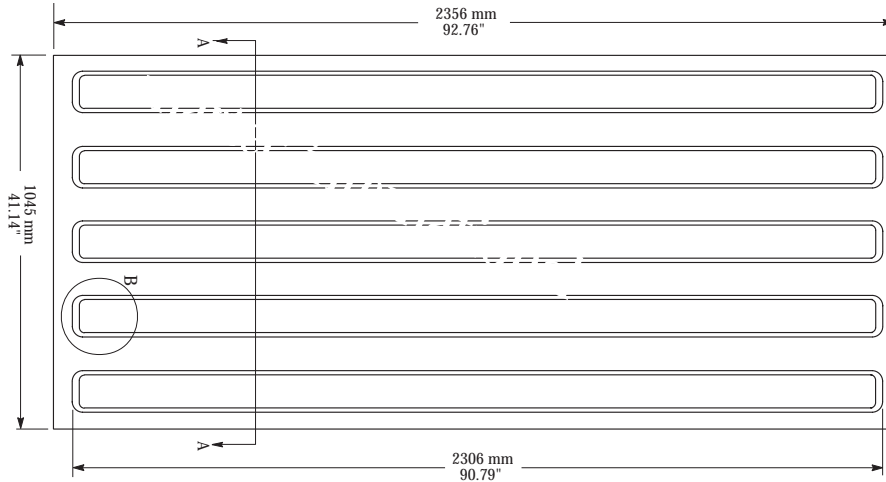
No. Corrugations: 5  
Material Thickness: 2.0 mm (0.079")  
Depth of Corrugations: 20 mm (0.79")  
Material: Zinc Primed Steel

1. 51 MTR 17PAC



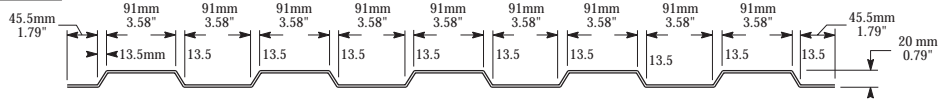
1. 57RFALRP  
Material: Aluminum

**2.1.1.6: ROOF PANELS**

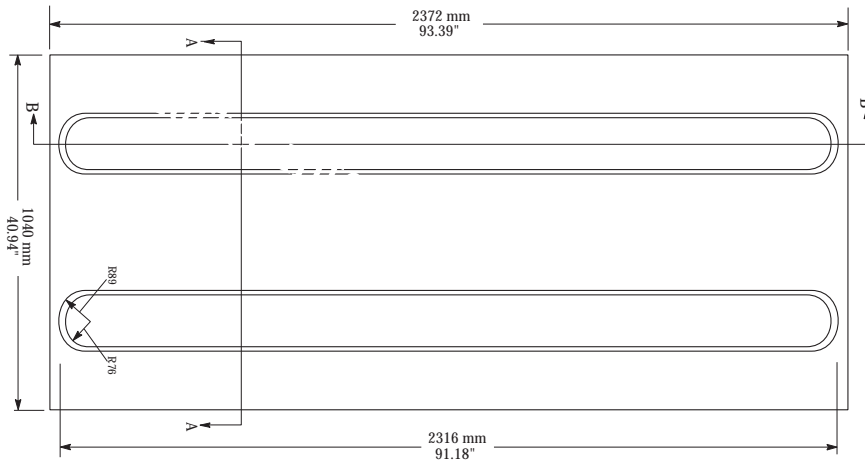


No. Corrugations: 5  
 Material Thickness: 2.0 mm (0.079")  
 Depth of Corrugations: 20 mm (0.79")  
 Material: Steel Zinc Primer

**SECTION A-A**

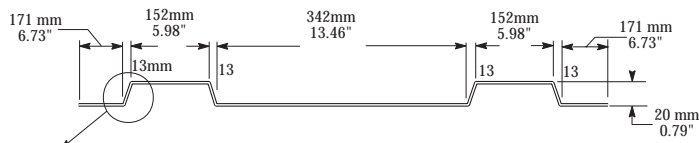


**1. MTR 17AC**



No Corrugations: 2  
 Material Thickness: 2.0 mm (0.079")  
 Depth of Corrugations: 20 mm (0.79")  
 Material: Steel

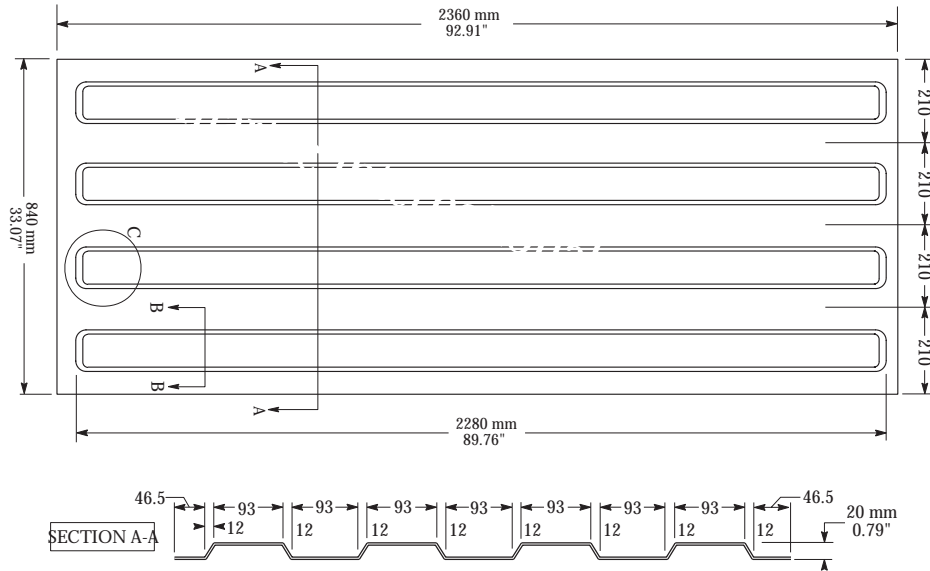
**SECTION A-A**



**1. MTR 18PR**

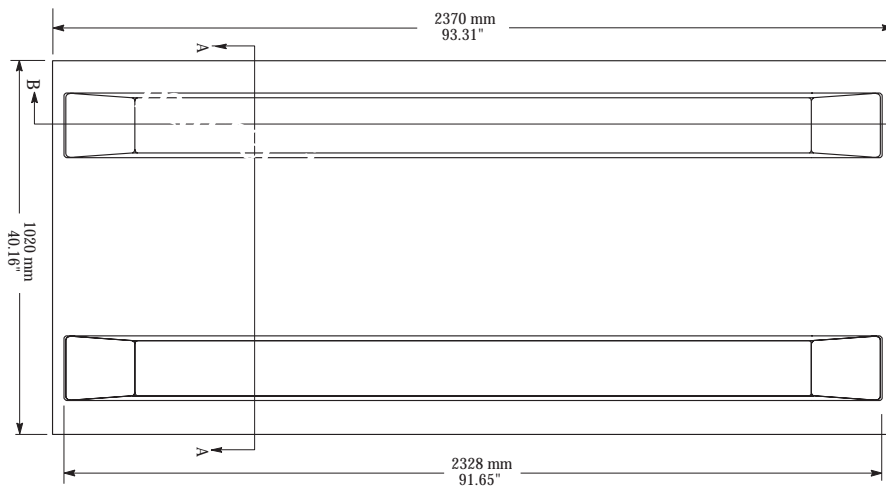
2.1.1.6: ROOF PANELS

Istel Type



No. Corrugations: 4  
 Material Thickness: 1.98mm (14 gauge)  
 Depth of Corrugations: 20 mm (0.79")  
 Material: Prepainted Grey, Corten A

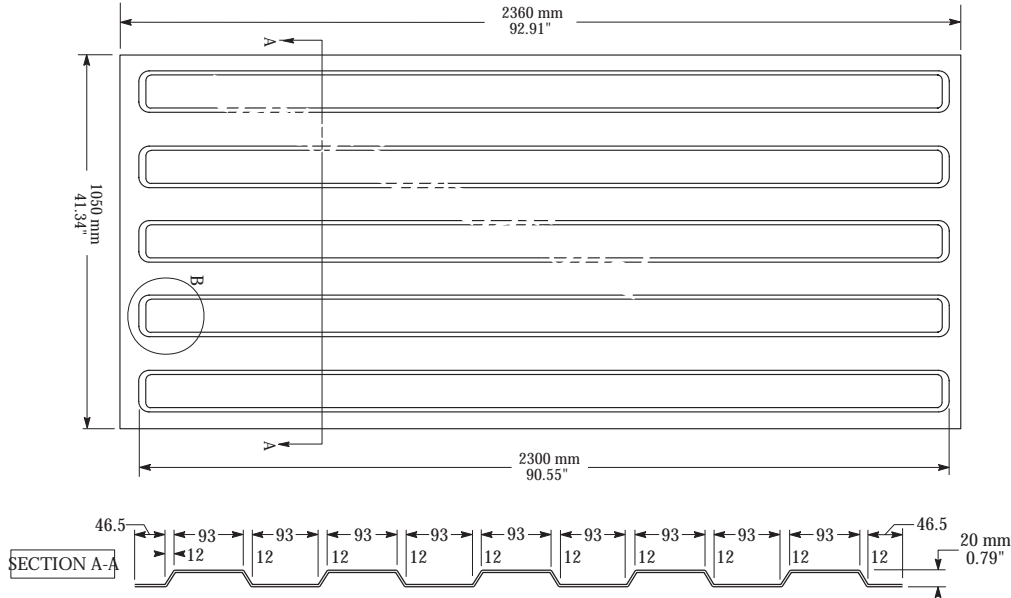
1. MTR 19C



No. Corrugations: 2  
 Material Thickness: 2.0 mm (0.079")  
 Depth of Corrugations: 20 mm (.79")  
 Material: Corten AF

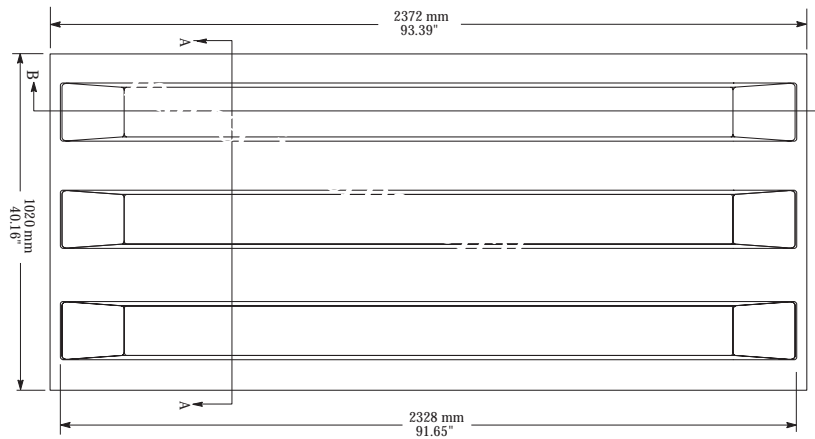
1. MTR 20C

**2.1.1.6: ROOF PANELS**

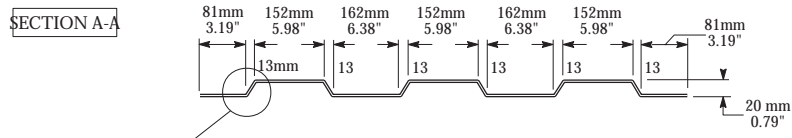


No. Corrugations: 5  
 Material Thickness: 1.98mm (14 gauge)  
 Depth of Corrugations: 20 mm (0.79")  
 Material: Prepainted Grey, Corten A

**1. MTR 22CP**

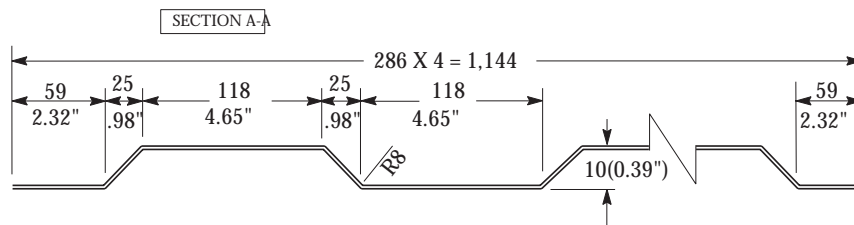
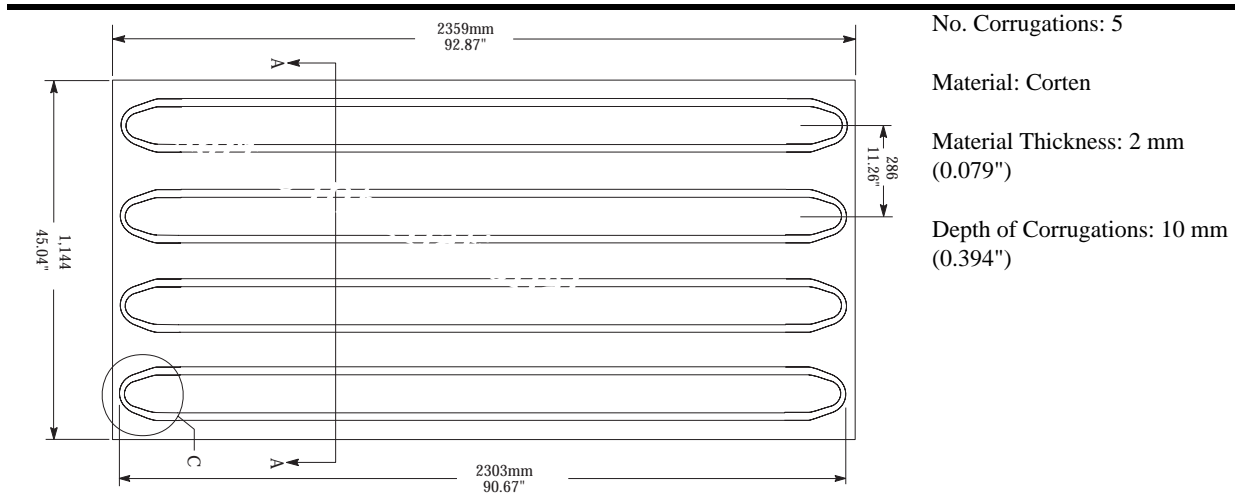


No. Corrugations: 3  
 Material Thickness: 2.0 mm (0.079")  
 Depth of Corrugations: 20 mm (0.79")  
 Material: Corten AF

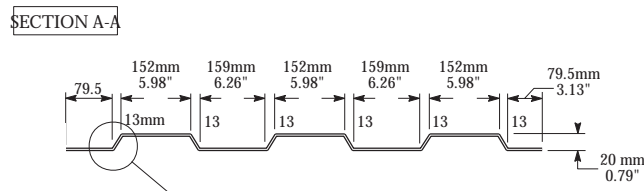
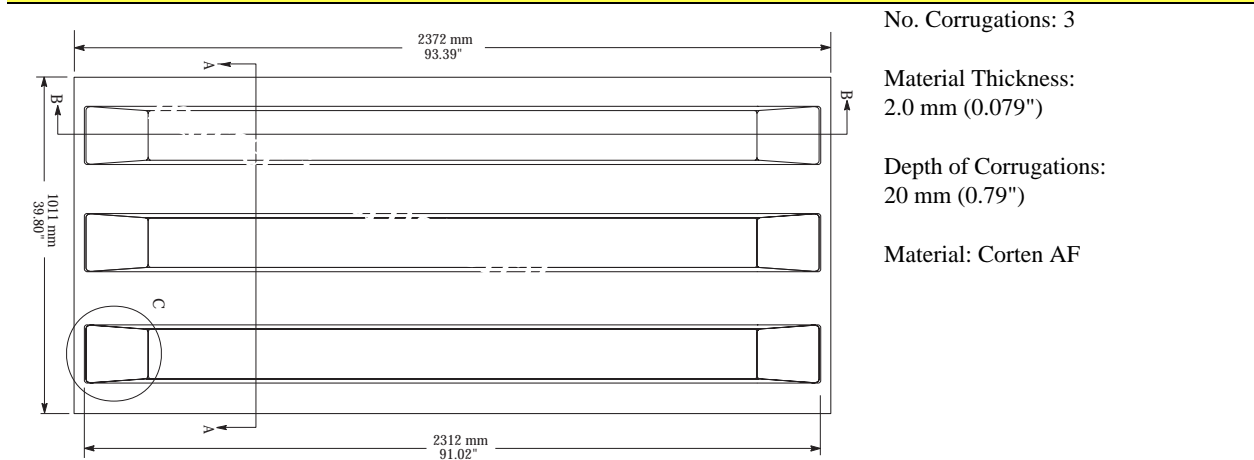


**1. MTR 25CP**

2.1.1.6: ROOF PANELS



1. MTR27

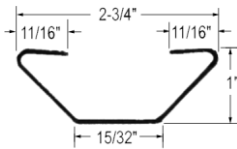
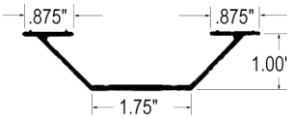
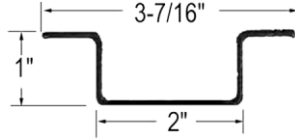
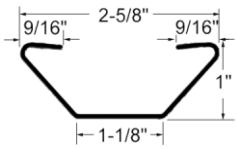
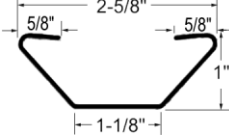
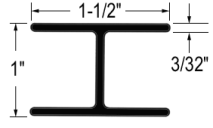
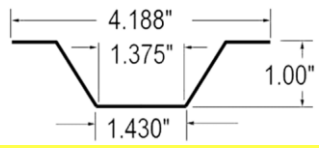


1. 52HFRSMS

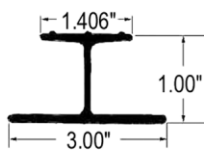
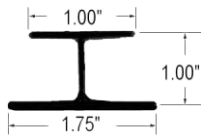
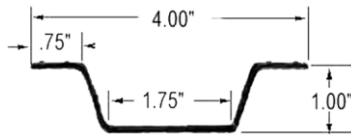
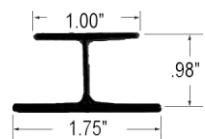
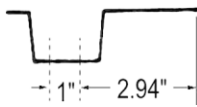
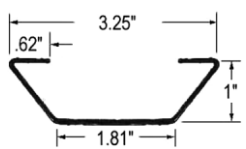


### 2.1.2: ROOF BOWS

#### 2.1.2.1: WABASH ROOF BOWS

<p>Steel Anti-Snag Cambered</p> 	<p>Alum. Anti-Snag Cambered</p> 	<p>Steel Cambered</p> 
<p>1. WAB07200003 99-3/8"</p>	<p>1. WAB07200004 93" 2. WAB07200005 99"</p>	<p>1. WAB07200012 99" 2. WAB07200013 93"</p>
<p>Steel Anti-Snag Cambered</p> 	<p>Galv. Steel Anti-Snag Flattened Ends</p> 	<p>Aluminum Cambered</p> 
<p>1. WAB07200028 16 ga. 99" 2. WAB07200029 16 ga. 93" 3. WAB07200033 16 ga. 98-3/4" 4. WAB07200106 18 ga. 96"</p>	<p>1. WAB07200040 93-3/4"</p>	<p>1. WAB07200043 99" 2. WAB07200044 92-5/8"</p>
<p>Steel Cambered</p> 		
<p>1. WAB07200074 99"</p>		

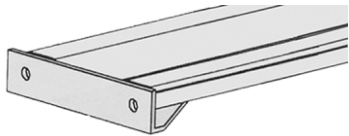
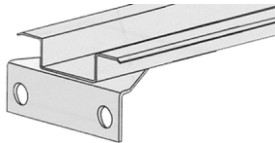
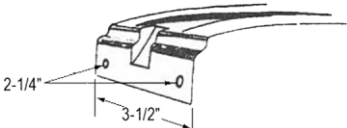
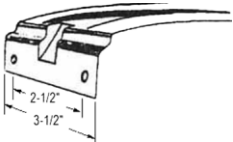
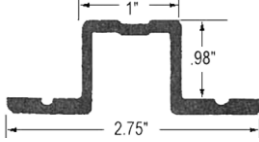
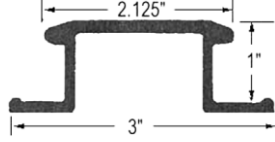
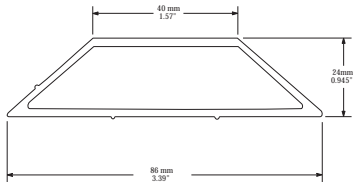
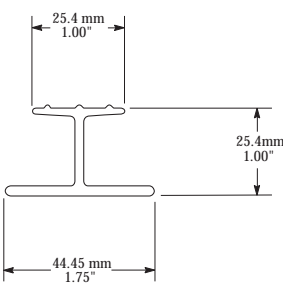
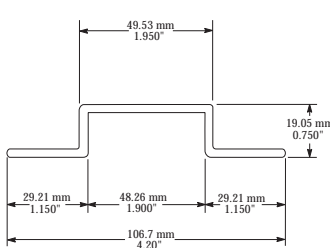
#### 2.1.2.2: FRUEHAUF ROOF BOWS

<p>Aluminum Cambered</p> 	<p>Aluminum Cambered</p> 	<p>Aluminum Cambered</p> 
<p>1. FRUBCF5836-2 98.5"</p>	<p>1. FRURCC8431-2 92-1/2" 2. FRURCC8431-3 98-1/2" 3. FRURCE0169-1 92-3/4"</p>	<p>1. FRURCE3393-1 91-1/4"</p>
<p>Aluminum Cambered</p> 	<p>Aluminum Rear</p> 	<p>Aluminum Anti-Snag Cambered</p> 
<p>1. FRURCF3509-3 98.62"</p>	<p>1. FRURCF3513-2 101.09"</p>	<p>1. FRURCF3718-1 98.5"</p>

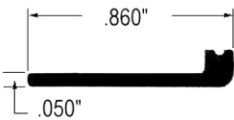
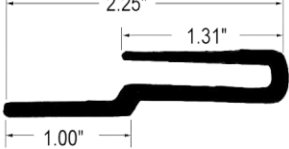
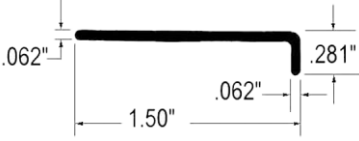
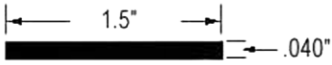
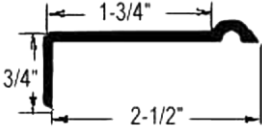
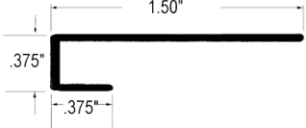
<p>Aluminum Cambered</p> <p>1. FRURCF4048-1 98-1/2"</p>	<p>Aluminum Anti-Snag Cambered</p> <p>1. FRURCF4335-3 92-1/2" 2. FRURCF4335-4 98-1/2" 3. FRURCF4335-6 97-1/8"</p>	<p>Steel Anti-Snag Flattened Ends</p> <p>1. FRURCF8426-1 91-1/8" 2. FRURCF8426-2 97-1/8"</p>
<p>Aluminum</p> <p>1. FRUSTK20511-101 101-3/8"</p>	<p>Aluminum Anti-Snag</p> <p>1. FRUSTK21247-101 101-3/8"</p>	

2.1.2.3: OTHER MANUFACTURER'S ROOF BOWS

<p>Steel 3 pc. BUDD Style</p> <p>1. BUD2240 92-5/8"</p>	<p>Steel 1 pc. BUDD Style</p> <p>1. BUD2426 92-3/4" 2. BUD2500 98-7/8"</p>	<p>Steel Anti-Snag DORSEY Style</p> <p>1. DSY121069903 98-3/4"</p>
<p>Steel #1208898099 DORSEY Style</p> <p>1. MTR03011215 102"</p>	<p>Aluminum GREAT DANE Style</p> <p>1. GDA08581 92-1/4" 2. GDA13405 98-1/2"</p>	<p>Steel MILLER Style</p> <p>1. MLR900-002801 99-1/4"</p>
<p>Steel MILLER Style</p> <p>1. MLR900-055649 92-5/8"</p>	<p>Alum. MONON Style</p> <p>1. MONV07-118B 99"</p>	<p>Steel MONON Style</p> <p>1. MON7-1-0001-02-0 99"</p>
<p>Steel STOUGHTON Style</p> <p>1. STO03-09750-000-00 98"</p>	<p>Steel STOUGHTON Style</p> <p>1. STO04-07660-000-00 98-1/2"</p>	<p>Steel 3 pc. STOUGHTON Style</p> <p>1. STO23-06636-000-00 98-3/4"</p>

<p style="text-align: center;">STOUGHTON Style</p> 	<p style="text-align: center;">Steel 3 pc. STOUGHTON Style</p> 	<p style="text-align: center;">Steel 1 pc. STRICK Style</p> 
<p>1. STO23-08465-000-00 Steel 98-3/4" 2. STO23-04039-000-00 Alum. 98-3/4"</p>	<p>1. STO23-04006-000-00 98-1/4"</p>	<p>1. STRAA39C00020100 92-3/4" 2. STRAA39C00120100 98-7/8"</p>
<p style="text-align: center;">Steel STRICK Style</p> 	<p style="text-align: center;">Aluminum TRAILMOBILE Style</p> 	<p style="text-align: center;">Aluminum TRAILMOBILE Style</p> 
<p>1. STRAA39C00210100 99" 2. STRAA39C00210400 100-3/8"</p>	<p>1. TMB90-4-1098-100 100"</p>	<p>1. TMB90-4-703-94 93-1/2"</p>
		
<p>1. 31RFRB10 Material: 6061-T6 Aluminum</p>	<p>1. 31RFRB3 Material: 6061-T6 Aluminum</p>	<p>1. 31RFRB1 Material: 6061-T6 Aluminum</p>

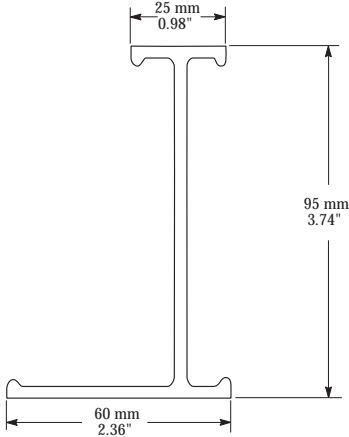
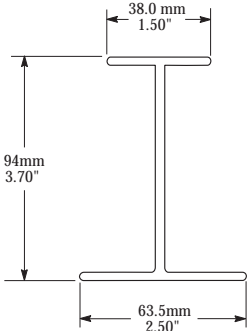
### 2.1.3: ROOF RETAINERS & COVE MOLDINGS

<p style="text-align: center;">Aluminum Retainer</p> 	<p style="text-align: center;">Aluminum Retainer</p> 	<p style="text-align: center;">Aluminum Retainer</p> 
<p>1. FRUSTK20004-120 120"</p>	<p>1. FRUSTK21240-67 67"</p>	<p>1. FRUSTK21620-36 36'</p>
<p style="text-align: center;">Aluminum Mill Finish Retainer</p> 	<p style="text-align: center;">Aluminum FRP Roof Cap</p> 	<p style="text-align: center;">Aluminum J Molding</p> 
<p>1. FRUSTK30145-50 50'</p>	<p>1. MTRE0146360 53'</p>	<p>1. MTRE0821200 10'</p>

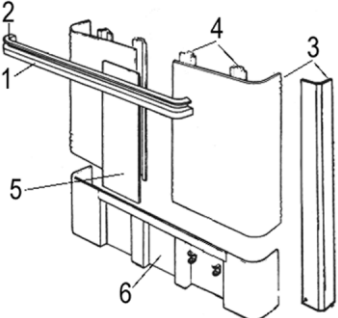
**2.1.3: ROOF RETAINERS & COVE MOLDINGS**

<p>White Vinyl Cove Molding</p>	<p>White Vinyl Cove Molding</p>	<p>Cove Molding - Inner</p>
<p>1. MTRV0052910      24'3"</p>	<p>1. MTR24200024      2" x 2" x 24' 2. MTR24200074      2" x 3" x 24'</p>	<p>1. 39RFCMINNER Material: 6061-T6 Aluminum</p>
<p>Cove Molding - Outer</p>	<p>Cove Molding - Outer</p>	<p>Cove Molding - Outer</p>
<p>1. 39RFCMOUTER Material: 6061-T6 Aluminum</p>	<p>1. 43RF31414017 Material: 6061-T6 Aluminum</p>	<p>1. 40RF001488838 Material: 6061-T6 Aluminum</p>
<p>Cove Molding - Inner</p>	<p>Cove Molding - Inner</p>	
<p>1. 43RF3141476 Material: PVC</p>	<p>1. 40RF001488902 Material: 6061-T6 Aluminum</p>	

**2.1.4: ROOF STRINGERS**

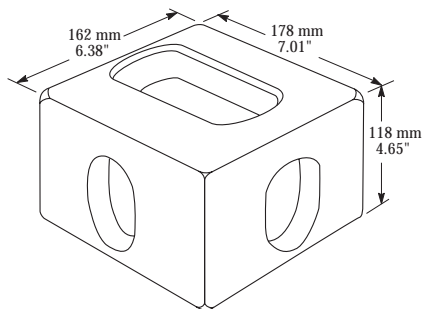
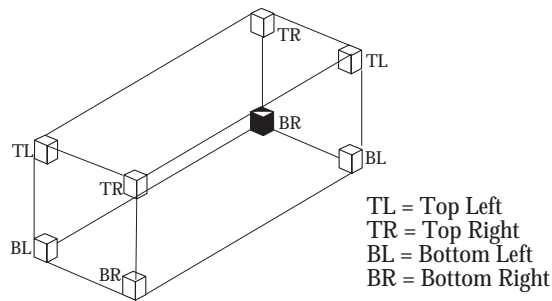
		
<p>1. 40RF0064522 Material: PVC</p>	<p>1. 39RFRSPVC Material: PVC</p>	<p>1. 40RF0064355 Material: PVC</p>

## 2.2 Front Wall Assembly

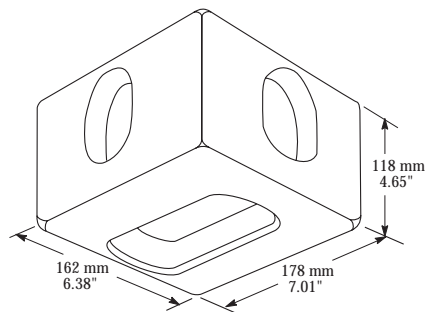
	<p><b>FRONT WALL</b></p> <ol style="list-style-type: none"> <li>1. Nose Rails</li> <li>2. Corner Caps &amp; Protectors</li> <li>3. Corner Radius &amp; Posts</li> <li>4. Nose Posts</li> <li>5. Nose Panels</li> <li>6. Bulkheads</li> </ol>
---	--

### 2.2.1: NOSE RAILS

#### 2.2.1.1: CORNER FITTINGS



Top Left Corner Casting  
 Top Right Corner Casting (Symetrical)



Bottom Left Corner Casting  
 Bottom Right Corner Casting (Symetrical)

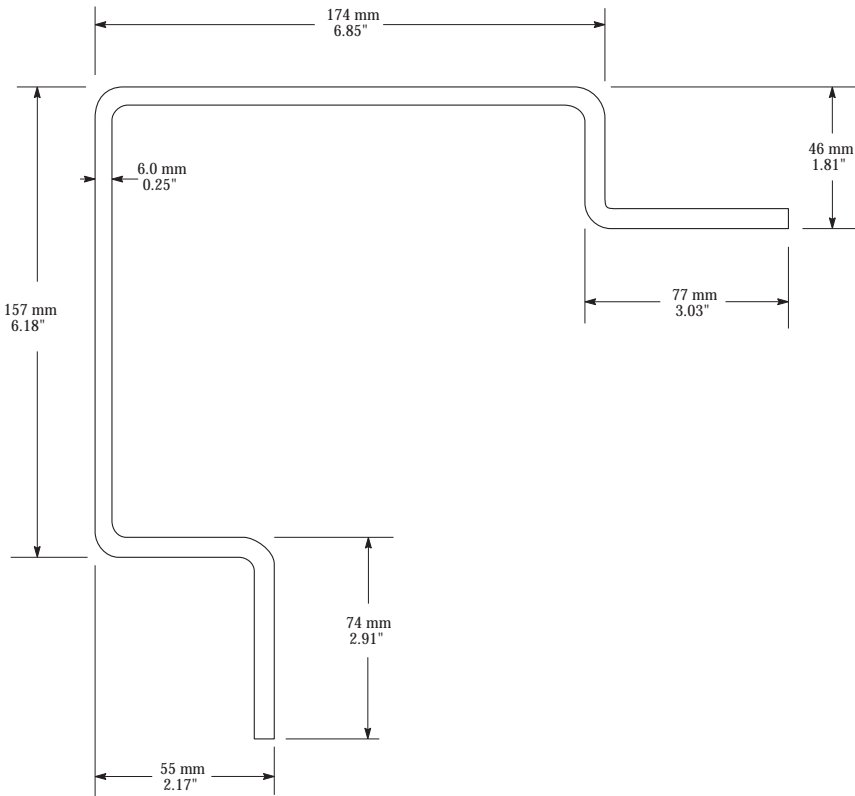
Weight/Casting: 25 lbs (11.34 kg)

**2.2.1.1: CORNER FITTINGS**

1. ISO Corner Castings

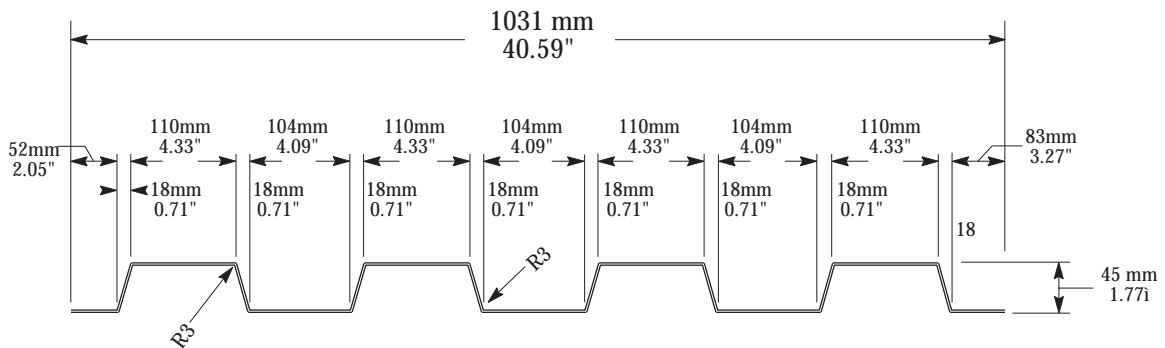
Classification/certification from all major classification societies available upon request.

**2.2.1.2: FRONT CORNER POST**



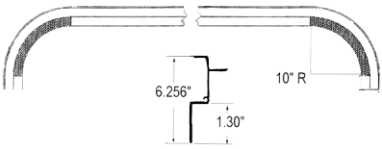
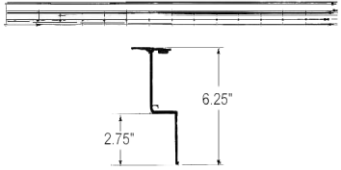
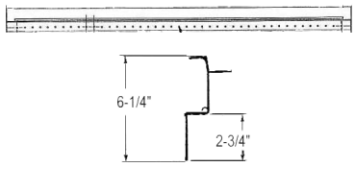
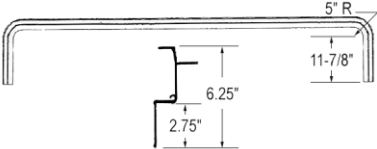
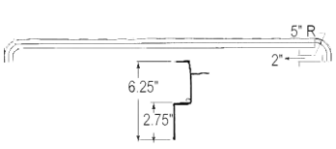
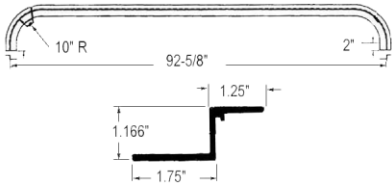
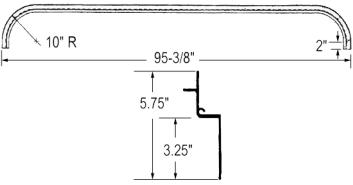
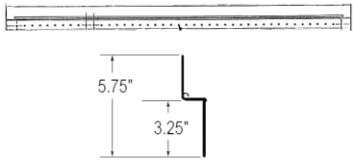
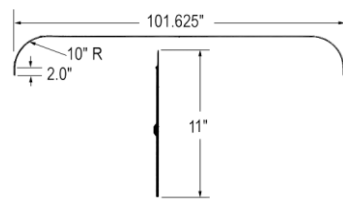
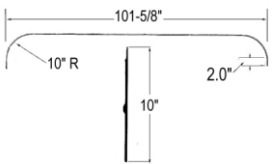
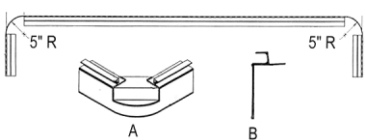
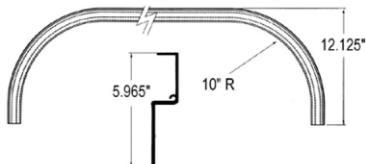
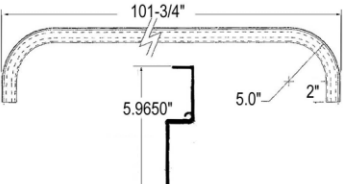
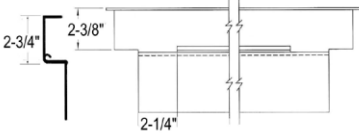
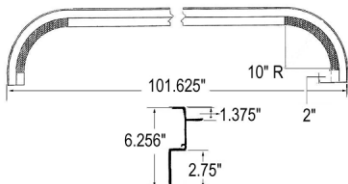
1. 47 MTR 01FCPC  
Material: High Tensile Steel

**2.2.1.3: FRONT PANEL**

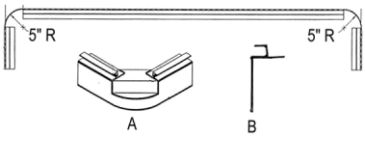
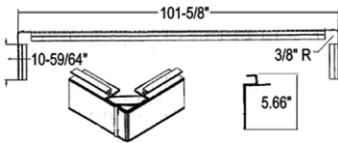
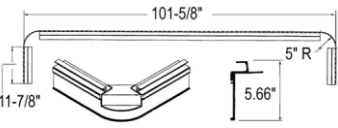
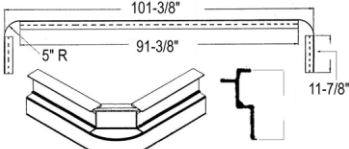
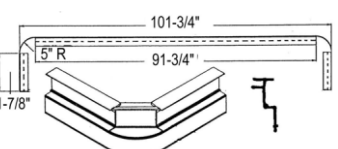
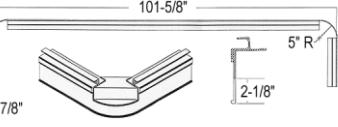
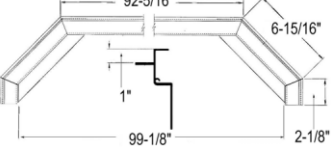


No. Corrugations: 4	Depth of Corrugations: 45mm (1.77")	Material: Corten, primed	Length: 2,743mm (108")
---------------------	-------------------------------------	--------------------------	------------------------

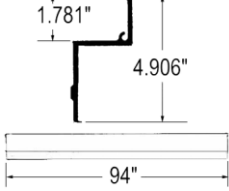
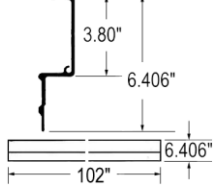
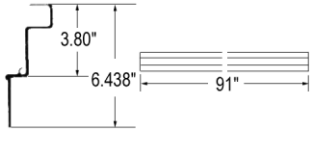
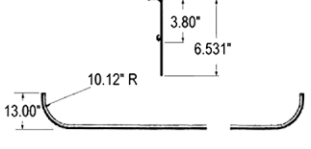
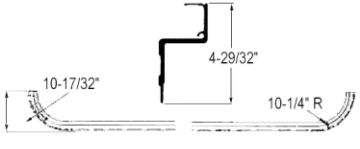
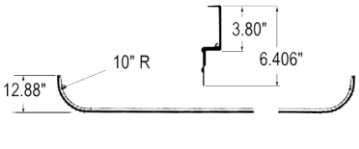
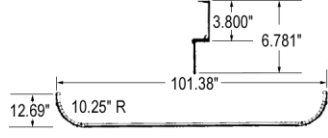
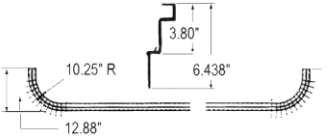
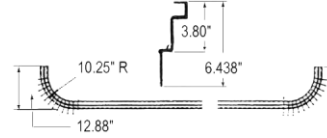
2.2.1.4: WABASH NOSE RAILS

<p>Aluminum 10" Radius</p> 	<p>Aluminum FRP Straight</p> 	<p>Aluminum Universal Straight</p> 
<p>1. WAB04A00005 102" trailer 2. WAB04A00062 96" trailer</p>	<p>1. WAB04A00013 89-1/8"</p>	<p>1. WABE0011080 108" cut to length</p>
<p>Aluminum 5" Radius</p> 	<p>Aluminum 5" Radius</p> 	<p>Aluminum 10" Radius 2 pc. Upper</p> 
<p>1. WAB04A00211 102" trailer 2. WAB04A00238 96" trailer</p>	<p>1. WAB04A00218 102" trailer</p>	<p>1. WAB04A00321 92-5/8"</p>
<p>Aluminum 10" Radius 2 pc. Lower</p> 	<p>Aluminum Reefer</p> 	<p>Aluminum 10" Radius Reefer Lower</p> 
<p>1. WAB04A00322 95-3/8"</p>	<p>1. WAB04A00369 81-5/8"</p>	<p>1. WAB04A00376 102" trailer</p>
<p>Aluminum 10" Radius Reefer Lower</p> 	<p>Aluminum 10" Radius</p> 	<p>Aluminum 10" Radius</p> 
<p>1. WAB04A00415 102" trailer</p>	<p>1. WAB04000595 102" trailer</p>	<p>1. WAB04A00735 102" trailer 2. WAB04A00736 96" trailer</p>
<p>Aluminum Reefer 5" Radius</p> 	<p>Aluminum Reefer Kroger Style</p> 	<p>Aluminum 10" Radius Roadway Style</p> 
<p>1. WAB04A00800 102" trailer</p>	<p>1. WAB04A00873 102" trailer</p>	<p>1. WAB04A00985 102" trailer</p>



<p>Aluminum 5" Radius</p>  <p>1. WAB04000001 102" trailer</p>	<p>Aluminum 3/8" Radius</p>  <p>1. WAB04000002 102" trailer</p>	<p>Aluminum 5" Radius w/Wire Groove</p>  <p>1. WAB04000015 102" trailer</p>
<p>Aluminum 5" Radius</p>  <p>1. WAB04000041 102" trailer</p>	<p>Aluminum 5" Radius</p>  <p>1. WAB04000058 102" trailer</p>	<p>Aluminum 5" Radius w/Wire Groove</p>  <p>1. WAB04000157 102" trailer</p>
<p>Aluminum Reefer 5" Diagonal</p>  <p>1. WAB04000344 102" trailer</p>		

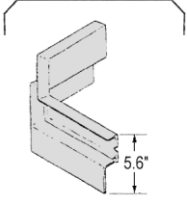
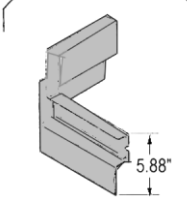
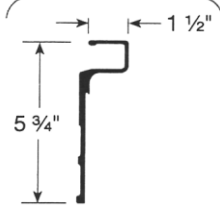
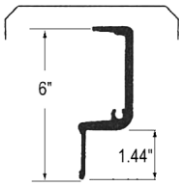
**2.2.1.5: FRUEHAUF NOSE RAILS**

<p>Aluminum Straight Hobbs Style</p>  <p>1. FRUSTK20545-94 94"</p>	<p>Aluminum</p>  <p>1. FRUSTK21060-102 102"</p>	<p>Aluminum Straight Hobbs Style</p>  <p>1. FRUSTK21497-91 91"</p>
<p>Aluminum 10" Radius</p>  <p>1. FRUBCF4479-1 102" trailer</p>	<p>Aluminum 10" Radius FB Old Style</p>  <p>1. FRUWCC8098-1 95-3/8" Replaces WQA1622</p>	<p>Aluminum 10" Radius FB</p>  <p>1. FRUWCF2555-1 95.38" Replaces WCF0158-1, WCF3061-1 2. FRUWCF3959-1 101.38" Replaces WCF 3721-1</p>
<p>Aluminum 10" Radius FRP</p> 	<p>Unpunched Aluminum 10" Radius</p> 	<p>Punched Aluminum 10" Radius</p> 

<p>1. FRUWCF4575-1 95.38" Replaces WCF0200-1, WCF4659-2 WQA0818-2</p> <p>2. FRUWCF4660-1 101.38" Replaces WCF4659-2</p> <p>Aluminum 10" Radius FG</p>	<p>1. FRUWCF5903-901 101.38" Replaces WCF4470-1, WCF4781-1 WCF5524-1, WNC2893-1, WNE1304, WNE1725-1</p> <p>Aluminum</p>	<p>1. FRUWCF5903-1 101.38" 2. FRUWCF5903-2 95.38" Replaces WCF4781-2</p> <p>Aluminum</p>
<p>1. FRUWCF4844-2 92.62"</p> <p>Steel FB</p>	<p>1. FRUWCF9003-2 102" trailer</p>	<p>1. FRUWCG0057-1 102" trailer</p>
<p>1. FRUWNC2348-1P 100-1/8"</p>		

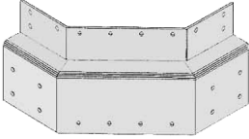
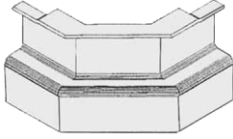
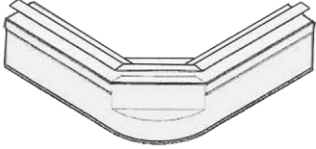

2.2.1.6: OTHER MANUFACTURER'S NOSE RAILS

<p>Aluminum BUDD Style</p>	<p>Aluminum BUDD Style</p>	<p>Aluminum BUDD Style</p>
<p>1. BUD2430 96" trailer</p>	<p>1. BUD2435 96" trailer</p>	<p>1. BUD2432 102" trailer</p>
<p>Aluminum Diagonal DORSEY Style</p>	<p>Aluminum Diagonal DORSEY Style</p>	<p>Aluminum Straight DORSEY Style</p>
<p>1. DSYFR28053 96" trailer 2. DSYFR28277 102" trailer</p>	<p>1. DSYFR28060 96" trailer</p>	<p>1. DSY5248166084 84-1/4"</p>
<p>Aluminum Diagonal DORSEY Style</p>	<p>Aluminum GREAT DANE Style</p>	<p>Aluminum GREAT DANE style</p>

1. DSYC-4077201 102" trailer	1. GDA12543 2. GDA76340 96" trailer 102" trailer	1. GDA76810 102" trailer
Aluminum STOUGHTON Style 	Aluminum STOUGHTON Style 	Aluminum STOUGHTON Style 
1. STO20-06677-000-XX 102" trailer	1. STO20-09274-001-00 102" trailer	1. STO02-13865-091-00 91"
Aluminum TRAILMOBILE Style 		
1. TMB511-1-109-2 2. TMB511-1-109-2-1 96" trailer 102" trailer		





**2.2.2: CORNER CAPS AND PROTECTORS**

**2.2.2.1: WABASH CORNER CAPS & PROTECTORS**

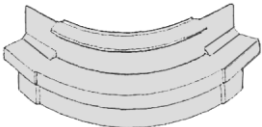
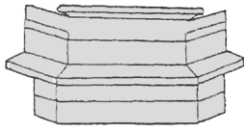


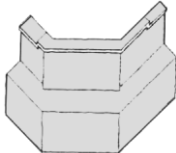

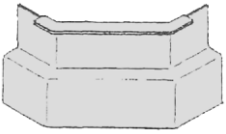

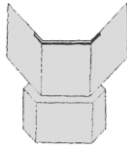
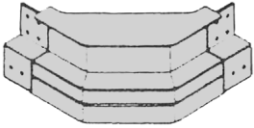


Diagonal 	Diagonal 	Plate Trailer 
1. WAB04A00370 2. WAB04A00371 Upper Lower	1. WAB04300002 Universal	1. WAB04000020 Universal
Aluminum Corner Protection 		
1. WAB04000261 2. WAB04000347 5" Radius 10" Radius		

**2.2.2.2: FRUEHAUF CORNER CAPS**

HOBBS Style 	HOBBS Style 	
1. FRUHBB740255 2. FRUHBB740256 R/S C/S	1. FRUHBB740257 2. FRUHBB740258 R/S C/S	1. FRUWCD2914-1 2. FRUWCD2914-2 R/S C/S

		
<p>1. FRUWCE9183-1 R/S 2. FRUWCE9183-2 C/S</p>	<p>1. FRUWCF5942-1 R/S 2. FRUWCF5942-2 C/S</p>	<p>1. FRUWCF9196-1 Universal plastic</p>
		
<p>1. FRUXCF3884-1 R/S 2. FRUXCF3884-2 C/S</p>		

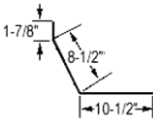
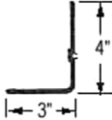
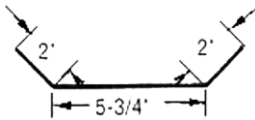
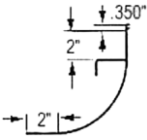
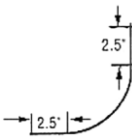
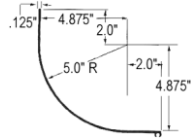
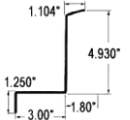
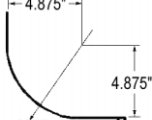
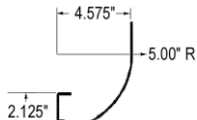
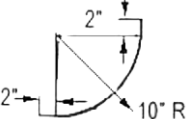
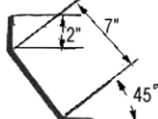
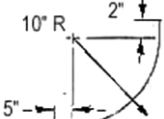
2.2.2.3: OTHER MANUFACTURER'S CORNER CAPS & PROTECTORS

<p>BUDD Style</p> 	<p>DORSEY Style</p> 	<p>LUFKIN Style</p> 
<p>1. BUDA01D24129 Universal</p>	<p>1. DSY5244201 Universal</p>	<p>1. LUFDP60113 Universal</p>
<p>MORGAN Style</p> 	<p>MONON Style</p> 	<p>MONON Style</p> 
<p>1. MRG69006671 C/S 2. MRG690066710 R/S</p>	<p>1. MONA1011089 C/S 2. MONA1011090 R/S</p>	<p>1. MONA1042138 Universal</p>
<p>OSHKOSH/MILLER Style</p> 	<p>PINES Style</p> 	<p>STOUGHTON Style</p> 
<p>1. MLR044-090200 Universal</p>	<p>1. PNECC11100 Universal</p>	<p>1. STO04-09816-000-00 Universal</p>
<p>STOUGHTON Style</p> 	<p>STRICK Style</p> 	<p>Corner Cap Protector STRICK Style</p> 
<p>1. STO04-12835-000-00 Universal 2. STO04-13853-000-00 Plate</p>	<p>1. STRAA65D00230200 C/S 2. STRAA65D00240200 R/S</p>	<p>1. STRAA65D00330100</p>

<p style="text-align: center;">STRICK Style</p> 	<p style="text-align: center;">STRICK Style</p> 	<p style="text-align: center;">THEUER Style</p> 
<p>1. STRGA65D00030100      Universal</p>	<p>1. STRAA65D00280100      Universal</p>	<p>1. THU5778-1      R/S 2. THU5778-2      C/S</p>
<p style="text-align: center;">UTILITY Style</p> 	<p style="text-align: center;">VANCO Style</p> 	
<p>1. UTI1-1550-10      C/S 2. UTI1-1550-11      R/S</p>	<p>1. VANG40002      Universal</p>	

### 2.2.3: CORNER RADIUS & POSTS

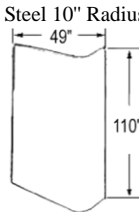
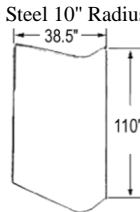
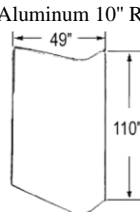
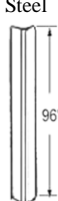
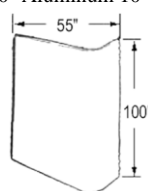
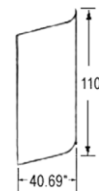
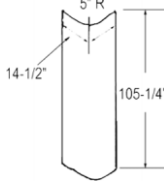
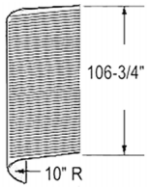
#### 2.2.3.1: WABASH CORNER RADIUS & POSTS

<p style="text-align: center;">Steel 10" Radius Inside Corner Liner</p> 	<p style="text-align: center;">Aluminum Square</p> 	<p style="text-align: center;">Aluminum Diagonal</p> 
<p>1. WABA1S00114      97"</p>	<p>1. WABE0051200      120" 2. WABE0051100      110"</p>	<p>1. WABE0061200      120"</p>
<p style="text-align: center;">Aluminum 5" Radius</p> 	<p style="text-align: center;">Aluminum 5" Radius</p> 	<p style="text-align: center;">Aluminum 5" Radius</p> 
<p>1. WABE0081200      120" Mill finish 2. WAB04000092      120" White</p>	<p>1. WABE1761098      109-5/8" Mill finish</p>	<p>1. WABE270109E      109-7/8" 2. WABE2701228      122-1/2"</p>
<p style="text-align: center;">Aluminum 5" Radius Corner Liner</p> 	<p style="text-align: center;">5" Radius</p> 	<p style="text-align: center;">5" Radius</p> 
<p>1. WABE2711192      119"</p>	<p>1. WABE5781200      120" Mill finish</p>	<p>2. WABE6141200      120" Mill finish</p>
<p style="text-align: center;">Aluminum 10" Radius</p> 	<p style="text-align: center;">5" x 5" Diagonal</p> 	<p style="text-align: center;">10" Radius</p> 
<p>1. WAB04A00011      110" White</p>	<p>1. WAB04A00295      99-5/8" White</p>	<p>1. WAB04A00331      110" White</p>


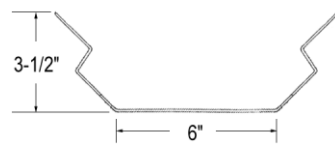
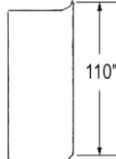
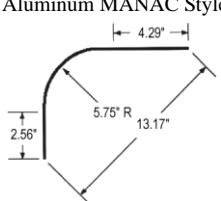
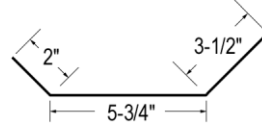
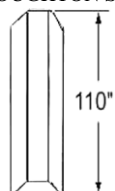
<p>Aluminum 10" Radius</p>	<p>Aluminum 10" Radius</p>	<p>Reefer Liner For 10" Radius</p>
<p>1. WAB04A00774 110" Mill finish</p>	<p>1. PNL8-15 110" White</p>	<p>1. WAB04A01164 108"</p>
<p>Steel</p>	<p>S/S 5" x 5" Diagonal</p>	<p>S/S 5" Radius</p>
<p>1. WAB04S00021 120" 2. WAB04S00019 97"</p>	<p>1. WAB04S00855 110"</p>	<p>1. WAB04S00956 104-1/8" 2. WAB04S01487 107"</p>
<p>Steel FRP</p>	<p>Steel 5" x 5" Diagonal</p>	<p>S/S 10" Radius</p>
<p>1. WAB04S01111 120"</p>	<p>1. WAB04S01132 110.5"</p>	<p>1. WAB04S01033 110"</p>
<p>Stainless Steel Reefer 5" Radius</p>	<p>Aluminum Reefer Radius Corner Protector</p>	<p>Alum. Reefer Roof Reinforcement</p>
<p>1. WAB04S01103 103-3/8" 2. WAB04S01508 110"</p>	<p>1. WAB07A00039</p>	<p>1. WAB07A00037</p>

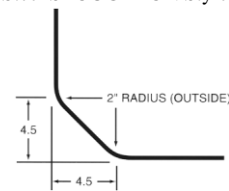
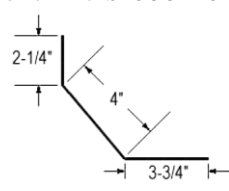
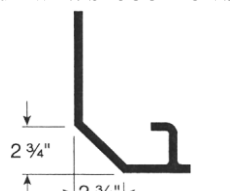
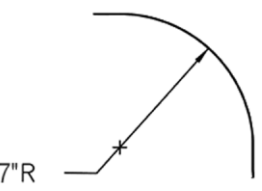

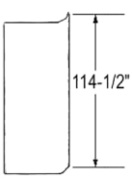
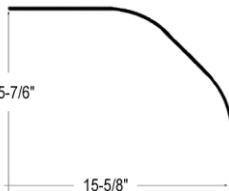
2.2.3.2: FRUEHAUF CORNER RADIUS & POSTS

<p>Aluminum</p>	<p>Aluminum</p>	<p>Aluminum</p>
<p>1. FRUSTK20305-108 108-3/4"</p>	<p>1. FRUSTK20602-83 83-9/16" 2. FRUSTK20602-96 96"</p>	<p>1. FRUSTK21331-7 87-3/8" 2. FRUSTK21331-9 108"</p>
<p>Aluminum</p>	<p>Aluminum</p>	<p>Aluminum</p>
<p>1. FRUSTK21474-85 85.06"</p>	<p>1. FRUSTK21856-106 106.25"</p>	<p>1. FRUWCF9230-1 105.88"</p>

 <p>Steel 10" Radius 49" width, 110" height</p>	 <p>Steel 10" Radius 38.5" width, 110" height</p>	 <p>.050" Aluminum 10" Radius 49" width, 110" height</p>
<p>1. FRUWCC8051-GAG Gray 2. FRUWCC8051-GAW White</p>	<p>1. FRUWQA1243-1 S/S</p>	<p>1. FRUWCC8051-SPN Mill finish 2. FRUWCC8051-SPW White 3. FRUWNC1247-SP8 FRP Mill finish 4. FRUWCC8051-SPA Gray alum</p>
 <p>Steel 96" height</p>	 <p>.050" Aluminum 10" Radius 55" width, 100" height</p>	 <p>Aluminum 5" Radius 110" height, 40.69" width</p>
<p>1. FRUWCD1971-6 Unviersal</p>	<p>1. FRUWCF4722-110 Mill finish</p>	<p>1. FRUWCF9212-900 White</p>
 <p>.063" Aluminum 5" Radius 5" R, 14-1/2" width, 105-1/4" height</p>	 <p>Aluminum 65 Bead 106-3/4" height, 10" R</p>	
<p>1. FRUWCD1172-3 White</p>	<p>1. PNL8-1 Gray 2. PNLWCC8051-2FW White</p>	

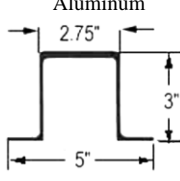
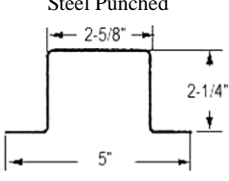
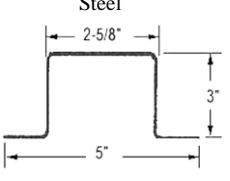
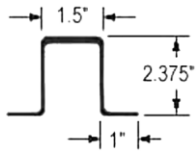
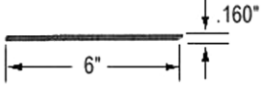
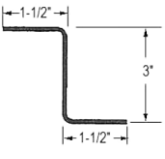
**2.2.3.3: OTHER MANUFACTURER'S CORNER RADIUS & POSTS**

 <p>BUDD Style 110" height, 24" width</p>	 <p>Steel DORSEY Style 3-1/2" height, 6" width</p>	 <p>Aluminum GREAT DANE 10" R Style 110" height</p>
<p>1. BUD224WSA Alum. White 2. BUD250SRP Steel Gray 3. BUD252SRP Steel White</p>	<p>1. DSYFR26239 110-7/8"</p>	<p>1. GDA08670 White 110"</p>
 <p>Aluminum MANAC Style 4.29" width, 5.75" R, 13.17" height</p>	 <p>Aluminum MONON Style 2" height, 3-1/2" width, 5-3/4" width</p>	 <p>STOUGHTON Style 110" height</p>
<p>1. MNC567-058 White 110-1/2"</p>	<p>1. MON00033532 White 110"</p>	<p>1. STO01-08581-XXX-01 Alum. white 2. STO01-08581-XXX-05 Steel white</p>

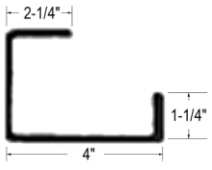
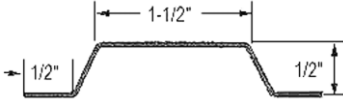
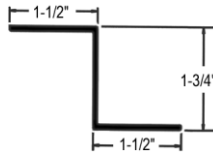
<p>Steel STOUGHTON Style</p>  <p>1. STO01-12994-XXX-05 White 107"</p>	<p>Alum. Corner Liner STOUGHTON Style</p>  <p>1. STO01-10158-XXX-01 White 101-1/2"</p>	<p>Aluminum White STOUGHTON Style</p>  <p>1. STO01-13951-100-XX 109\" R/S 2. STO01-13951-200-XX 109\" C/S</p>
<p>Aluminum STRICK Style 7\" Radius</p>  <p>1. STR06876 White 105-1/2"</p>	<p>Aluminum STRICK Style</p>  <p>1. STRAA63C72182523 White 110"</p>	<p>STRICK Style</p>  <p>1. STREA63C30032503 White 114-1/2"</p>
<p>Aluminum TRAILMOBILE\"O\" Model</p>  <p>1. TMBRP-881-PPW White 110"</p>		

**2.2.4: NOSE POSTS**

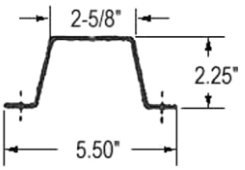
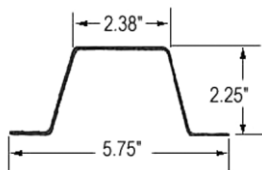
**2.2.4.1: WABASH NOST POSTS**

<p>Aluminum</p>  <p>1. WABE3431090 109\" 2. WABE3431224 122"</p>	<p>Steel Punched</p>  <p>1. WAB04S00020 110\" 2. WABNP011210 121"</p>	<p>Steel</p>  <p>1. WAB04S00317 110"</p>
<p>Steel</p>  <p>1. WAB04S00362 120"</p>	<p>Aluminum Plate</p>  <p>1. WAB01100453 104"</p>	<p>Steel \"Z\"</p>  <p>1. WAB04S00653 107-3/8"</p>

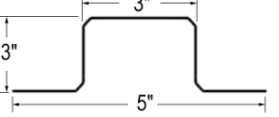
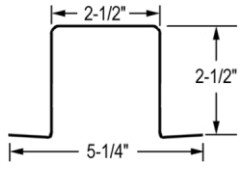
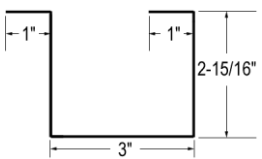
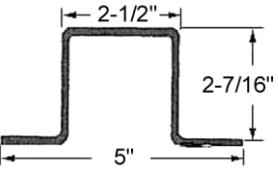


<b>Aluminum Reefer</b> 	<b>Aluminum FRP Wire Cover</b> 	<b>Aluminum "Z" Reefer</b> 
1. WAB04S00815      109" C/S 2. WAB04S00816      109" R/S	1. WAB14A00009      100" White	1. WABE0630508      50" 2. WABE0631100      110"

**2.2.4.2: FRUEHAUF STEEL NOSE POSTS**

	
1. FRUWCE7722-12      103.19" 2. FRUWCE7722-912      103.19" punched 3. FRUWNE2548-3      107-5/8"	1. FRUWCD3599-1      108"

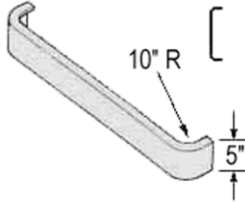
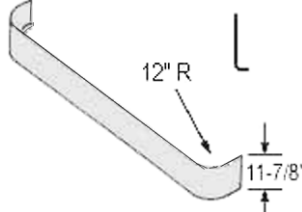
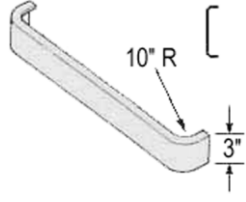
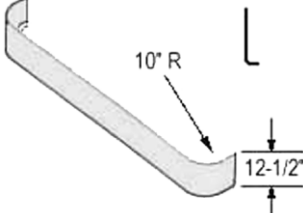
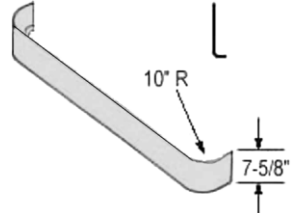
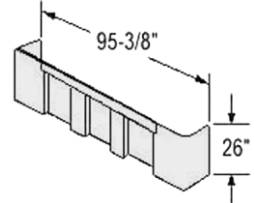
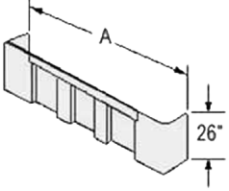
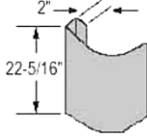
**2.2.4.3: OTHER MANUFACTURER'S NOSE POSTS**

<b>Steel BUDD Style</b> 	<b>Steel GREAT DANE Style</b> 	<b>Steel DORSEY Style</b> 
1. BUD2545      105"	1. GDA09432JBH      110"	1. DSYFR49059      107-5/8"
<b>Steel TRAILMOBILE Style</b> 		
1. TMB511-23-267-80      80-9/16"		

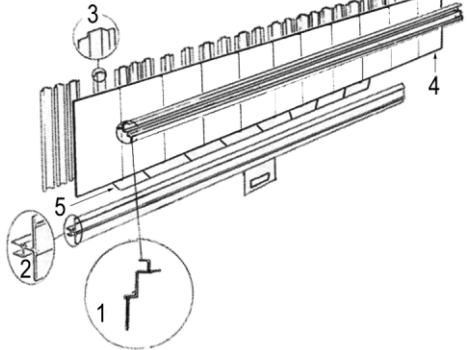
**2.2.5: NOSE PANELS**

See section 1.3.4

**2.2.6: FRUEHAUF STEEL BULKHEAD ASSEMBLIES & ACCESSORIES**

		
<p>1. FRUFCF3717-2      102"</p>	<p>1. FRUFCF3737-2      102"</p>	<p>1. FRUFCF3988-7      102"</p>
		
<p>1. FRUFCF4478-1      102"</p>	<p>1. FRUFCF9209-1      102"</p>	<p>1. FRUWCD1961-1      95-3/8"</p>
		
<p>1. FRUWCF3867-1      A=101" 2. FRUWCE7819-1      A=95-3/4"</p>	<p>1. FRUWCE7800-1      R/S 18.4" 2. FRUWCE7800-2      C/S 18.4"</p>	

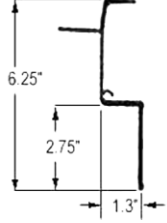
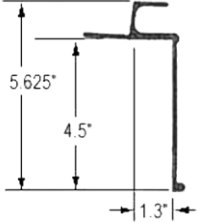
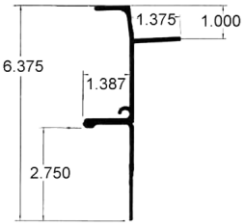
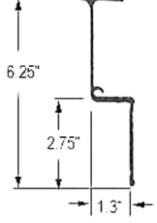
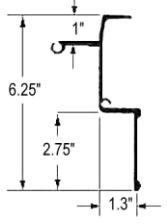
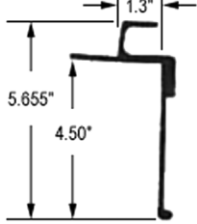
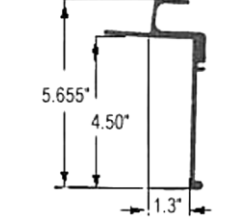
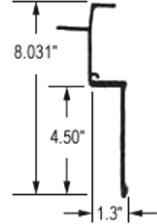
## 2.3 Side Wall Assembly

	<p><b>SIDE WALL ASSEMBLY</b></p> <ol style="list-style-type: none"> <li>1. Top Rails &amp; Splices</li> <li>2. Bottom Rails &amp; Splices</li> <li>3. Side Posts</li> <li>4. Panels / Side Sheets</li> <li>5. Side Wall Scuff</li> <li>6. Plywood &amp; Dividers</li> <li>7. Skylights &amp; Patches</li> </ol>
---	---

### 2.3.1: TOP RAILS, SPLICES, & PROTECTORS

#### 2.3.1.1: TOP RAILS

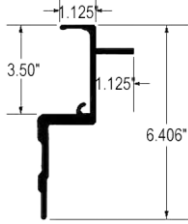
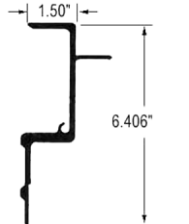
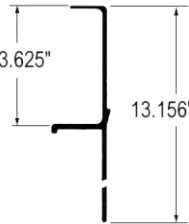
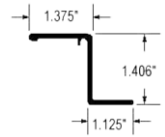
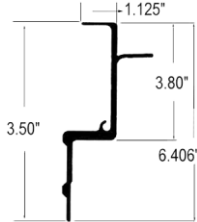
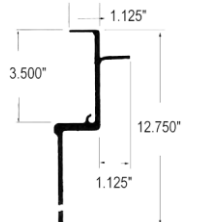
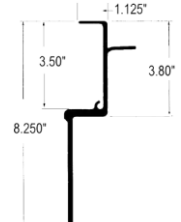
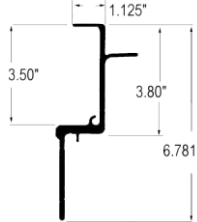
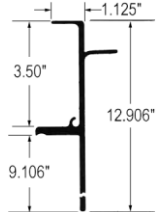
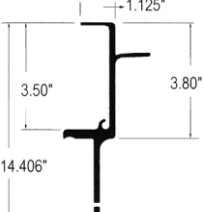
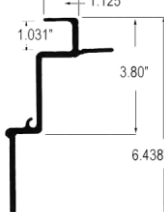
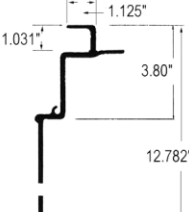
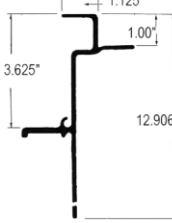
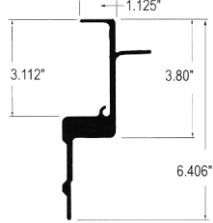
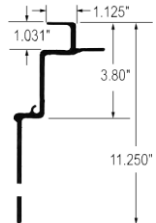
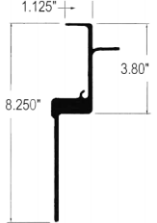
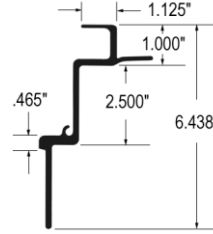
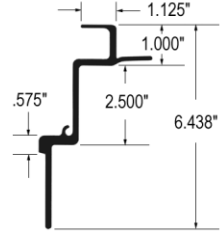
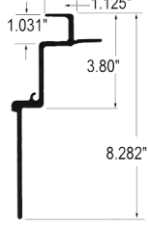
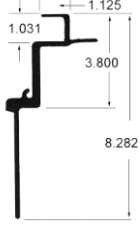
##### 2.3.1.1.1: WABASH TOP RAILS

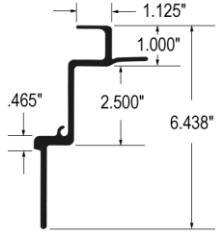
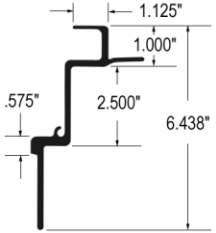
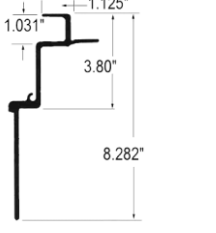
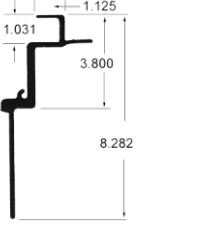
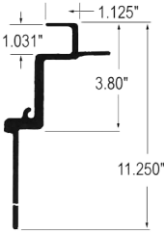
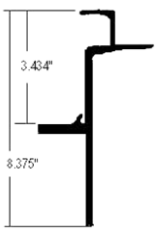
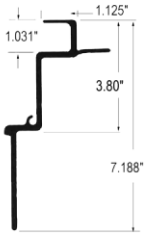
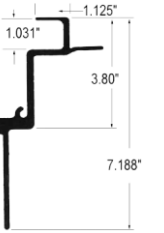
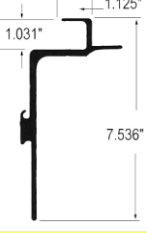
			
<ol style="list-style-type: none"> <li>1. WABE0011080 9'</li> <li>2. WABE0013240 27'</li> <li>3. WABE0016260 52'</li> </ol>	<ol style="list-style-type: none"> <li>1. WABE0071080 9'</li> <li>2. WABE0073240 27'</li> <li>3. WABE0076260 52'</li> </ol>	<ol style="list-style-type: none"> <li>1. WABE0090000 27'5"</li> </ol>	<ol style="list-style-type: none"> <li>1. WABE0131080 9'</li> <li>2. WABE0133240 27'</li> <li>3. WABE0135638 47'</li> <li>4. WABE0136260 52'</li> </ol>
			
<ol style="list-style-type: none"> <li>1. WABE184564C 47-3/4"</li> </ol>	<ol style="list-style-type: none"> <li>1. WABE0251080 9'</li> <li>2. WABE0253240 27'</li> <li>3. WABE0256260 52'</li> </ol>	<ol style="list-style-type: none"> <li>1. WABE0531080 9'</li> <li>2. WABE0533240 27'</li> <li>3. WABE0536260 52'</li> <li>4. WABE0536610 55'</li> </ol>	<ol style="list-style-type: none"> <li>1. WABE0551080 9'</li> <li>2. WABE0553240 27'</li> <li>3. WABE0556260 52'</li> </ol>

<p><b>2 Piece Upper Reefer</b></p>	<p><b>2 Piece Lower Reefer</b></p>	<p><b>2 Piece Lower</b></p>	
<p>1. WABE0641080 9' 2. WABE0643240 27' 3. WABE0646260 52'</p>	<p>1. WABE0651080 9' 2. WABE0653240 27' 3. WABE0656260 52'</p>	<p>1. WABE0681080 9' 2. WABE0683240 27' 3. WABE0686260 52'</p>	<p>1. WABE2131080 9' 2. WABE2133240 27' 3. WABE2136260 52'</p>
<p><b>RR Plate</b></p>	<p><b>2 Piece Upper Reefer</b></p>	<p><b>2 Piece Lower Reefer</b></p>	
<p>1. WABE272610C 50'10-3/4"</p>	<p>1. WABE3211080 9' 2. WABE3213240 27' 3. WABE3216260 52'</p>	<p>1. WABE3221080 9' 2. WABE3223240 27' 3. WABE3226260 52'</p>	<p>1. WABE4653378 28' 2. WABE4655638 47'</p>
<p><b>Aluminum Lower 2 Piece</b></p> <p>1. WABE397623C 51'11-3/4"</p>			


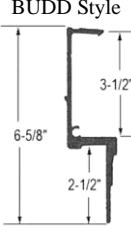
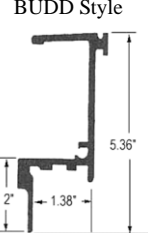
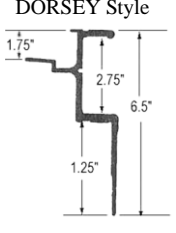
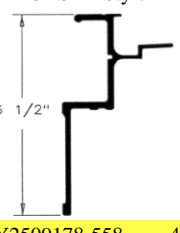
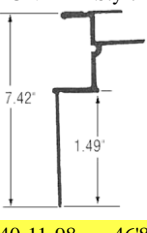
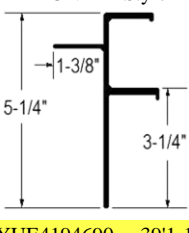
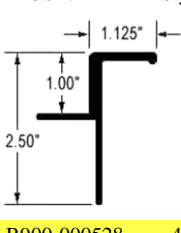
2.3.1.1.2: FRUEHAUF TOP RAILS

<p>1. FRUSTK20565-47 47'1"</p>	<p>1. FRUSTK20773-39 39'</p>	<p>1. FRUSTK20563-44 44'</p>	<p>1. FRUSTK20818-48 48'</p>

			
<b>1. FRUSTK20936-44 FB+44'3"</b>	<b>1. FRUSTK21243-47 47'1"</b>	<b>1. FRUSTK21301-29 29'</b>	<b>1. FRUSTK21311-27 27'3.5"</b>
			
<b>1. FRUSTK21453-29 29'</b> <b>2. FRUSTK21453-47 47'</b>	<b>1. FRUSTK21454-28 28'</b> <b>2. FRUSTK21454-47 47'6"</b> <b>3. FRUSTK21454-54 53'6"</b>	<b>1. FRUSTK21455-47 47'1"</b>	<b>1. FRUSTK21458-47 47'1"</b>
			
<b>1. FRUSTK21462-31 31'</b>	<b>1. FRUSTK21466-47 47'1"</b>	<b>1. FRUSTK21496-47 47'1"</b>	<b>1. FRUSTK21499-47 47'1"</b>
			
<b>1. FRUSTK21522-29 29'</b>	<b>1. FRUSTK21612-47 47'1"</b>	<b>1. FRUSTK21592-47 47'1"</b>	<b>1. FRUSTK21613-54 53'6"</b>
			
<b>1. FRUSTK21621-47 47'1"</b> <b>2. FRUSTK21621-53 52'6"</b>	<b>1. FRUSTK21622-52 51'6"</b>	<b>1. FRUSTK21623-47 47'1"</b> <b>2. FRUSTK21623-53 53'</b>	<b>1. FRUSTK21624-52 52'</b>

			
<p>1. FRUSTK21621-47 47'1" 2. FRUSTK21621-53 52'6"</p>	<p>1. FRUSTK21622-52 51'6"</p>	<p>1. FRUSTK21623-47 47'1" 2. FRUSTK21623-53 53'</p>	<p>1. FRUSTK21624-52 52'</p>
			
<p>1. FRUSTK21628-52 51'</p>	<p>1. FRUSTK21674-53 53'</p>	<p>1. FRUSTK21692-11 11' 2. FRUSTK21692-47 47'</p>	<p>1. FRUSTK21693-52 52'</p>
			
<p>1. FRUSTK21855-52 53'2"</p>			

2.3.1.1.3: OTHER MANUFACTURER'S TOP RAILS

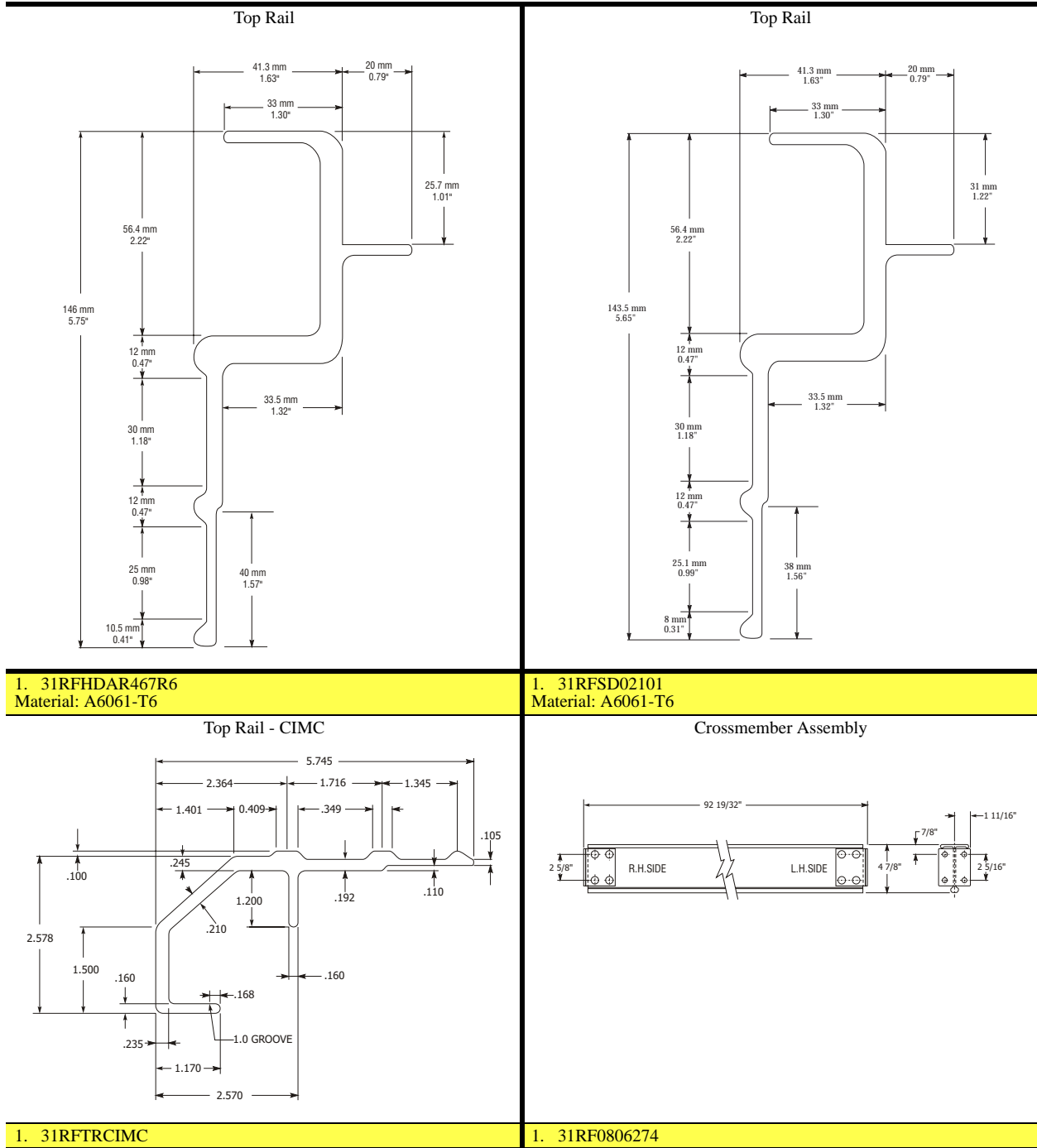
<p>BUDD Style</p> 	<p>BUDD Style</p> 	<p>BUDD Style</p> 	<p>DORSEY Style</p> 
<p>1. 2450 44'3"</p>	<p>1. BUD2455 46'7"</p>	<p>1. BUD2475 44'3"</p>	<p>1. DSY2508888-531 44'3"</p>
<p>DORSEY Style</p> 	<p>DUNHAM Style</p> 	<p>HYUNDAI Style</p> 	<p>OSHKOSH/MILLER Style</p> 
<p>1. DSY2509178-558 46'6"</p>	<p>1. DUN40-11-98 46'8-7/8"</p>	<p>1. HYUE4194690 39'1-1/2"</p>	<p>1. MLR900-000528 47'6"</p>

<p>MONON Style</p> <p>1. MONV01-150-47 47'</p>	<p>MONON Style</p> <p>1. MONV01-151-47 47'</p>	<p>STOUGHTON Style</p> <p>1. STO02-06388-612-67 51'8"</p>	<p>STOUGHTON Style</p> <p>1. STO02-10205-464-75 38'8"</p>
<p>STOUGHTON Style</p> <p>1. STO02-11132-624-38 52'</p>	<p>STOUGHTON Style</p> <p>1. STO02-13865-463-75 38'6"</p>	<p>TRAILMOBILE Style</p> <p>1. TMB90-4-1079-531 44"</p>	<p>TRAILMOBILE Style</p> <p>1. TMB90-4-1399-555 46' 2. TMB90-4-1399-613 51'</p>
<p>TRAILMOBILE Style</p> <p>1. TMB90-4-2305-617 51'4"</p>	<p>UTILITY Style</p> <p>1. UT11-6550-068 52'</p>		

2.3.1.1.4: MARTEC RAILS

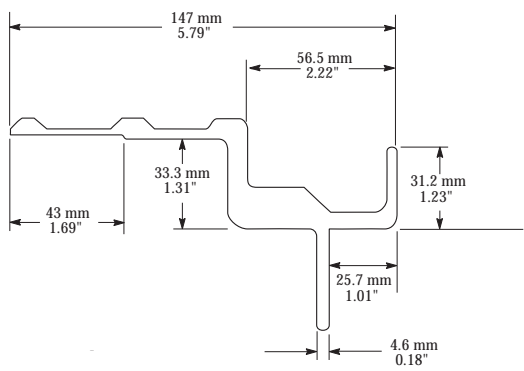
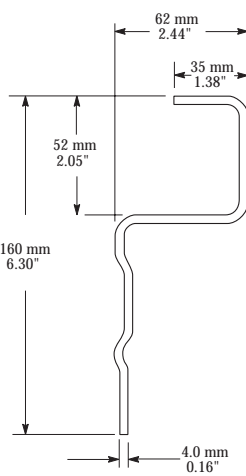
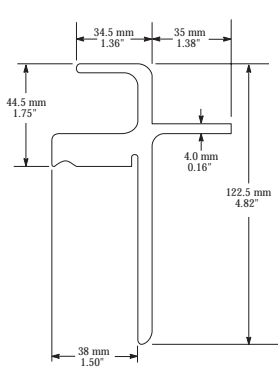
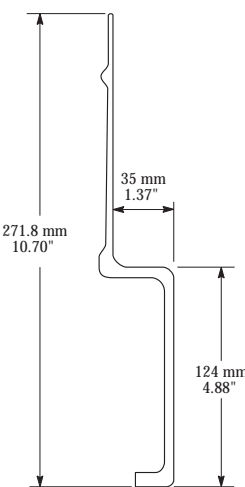
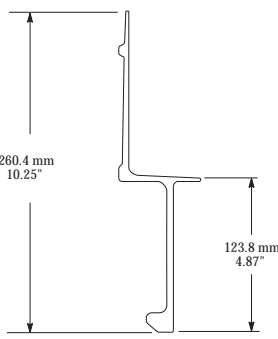
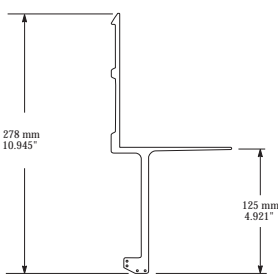
<p>Top Rail</p> <p>1. 238SQTC Material: Corten Steel Length: 5720mm (225.2")</p>	<p>Top Rail</p> <p>1. 31RFJ0020314 Material: 6061-T6 Aluminum</p>	<p>Top Rail</p> <p>1. 10RFNF015031 Material: 6061-T6 Aluminum</p>	<p>Top Rail</p> <p>1. 31RFGWN02297 Material: 6061-T6 Aluminum</p>
--	---	---	---

2.3.1.1.4: MARTEC RAILS



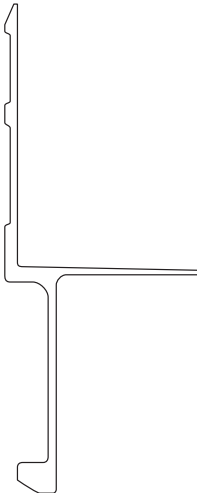


**2.3.1.1.4: MARTEC RAILS**

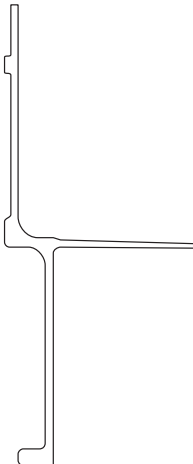
<p style="text-align: center;">Top Rail</p> 	<p style="text-align: center;">Top Rail</p> 	<p style="text-align: center;">Top Rail</p> 	
<p>1. 31RF0804189 Material: 6061-T6 Aluminum</p>	<p>1. 61RFPG02104 Material: SPA-H (Corten)</p>	<p>1. 31RF0804142 Material: 6061-T6 Aluminum</p>	
<p style="text-align: center;">Bottom Rail</p> 	<p style="text-align: center;">Bottom Rail</p> 	<p style="text-align: center;">Bottom Rail</p> 	
<p>1. 10RFNF014735 Material: 6061-T6 Aluminum</p>	<p>1. 31RFJ0010310 Material: 6061-T6 Aluminum</p>	<p>1. 31RFGWN02298 Material: 6061-T6 Aluminum</p>	

2.3.1.1.4: MARTEC RAILS

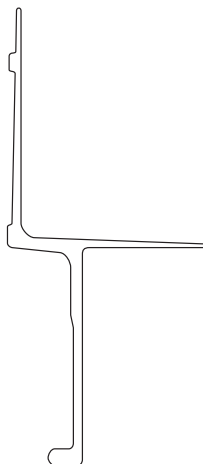
GWN 02.298



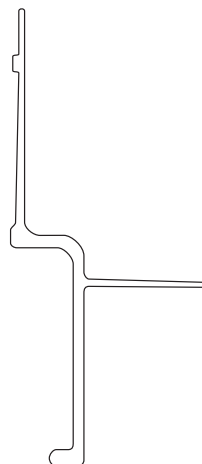
Sk 1038



B 590.21.14

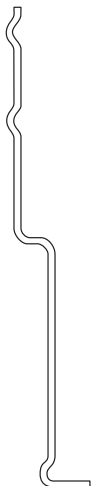


GWN 02.271

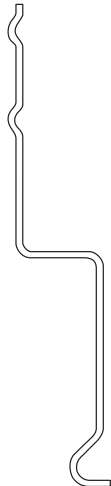


1. Bottom Rail - Profile (Aluminum)

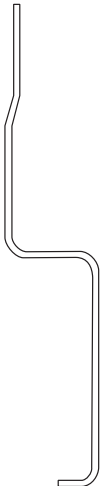
Sk 1088



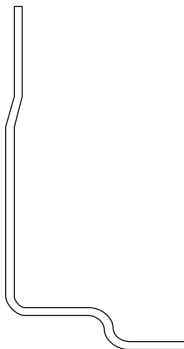
Hoesch 2468a



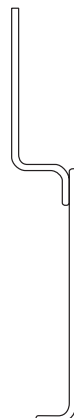
GWN 01.015



GWN 01.026



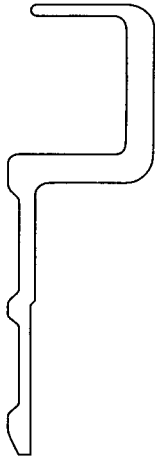
GWN 01.011



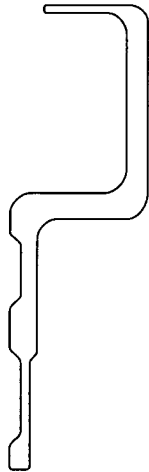
1. Bottom Rail - Profile (Steel)

2.3.1.1.4: MARTEC RAILS

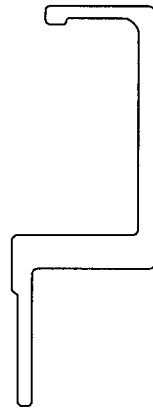
Sk 1037



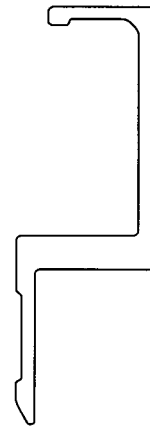
RS 1-001



B 583.20.10

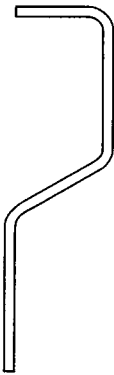


GWN 02.297

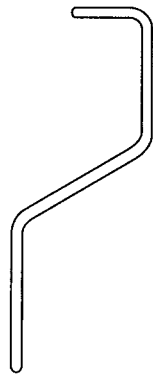


1. Top Rail - Profile (Aluminum)

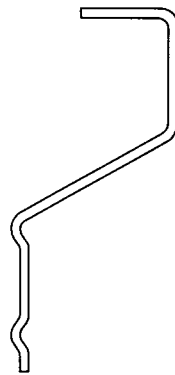
GWN 01.005



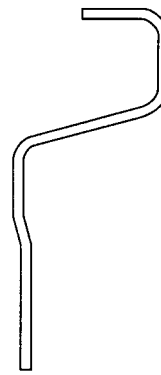
GWN 01.010



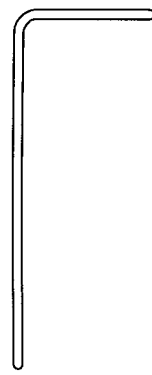
GWN 01.009



GWN 01.014

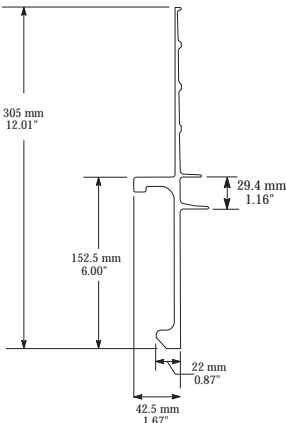
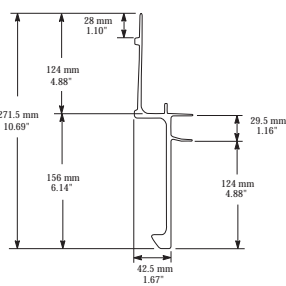
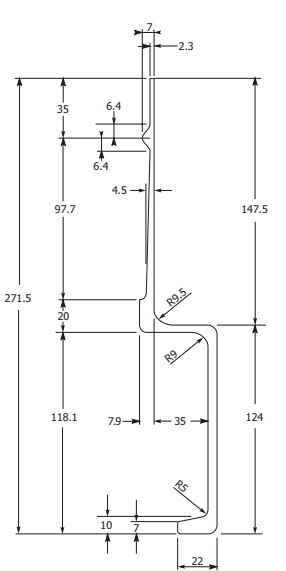
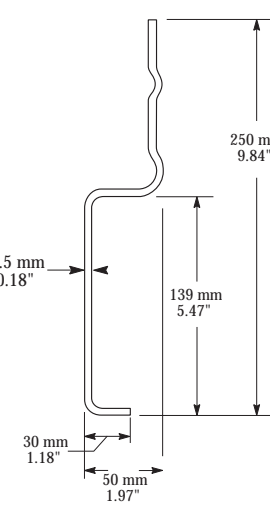
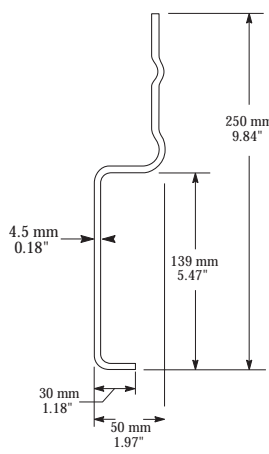
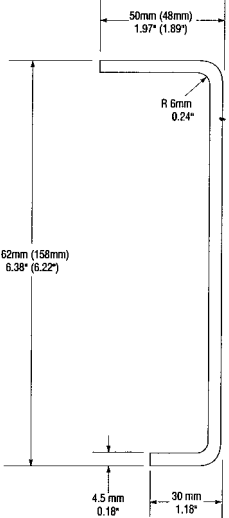


GWN 01.013

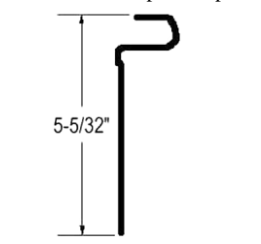
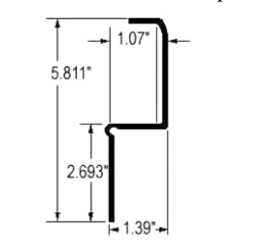
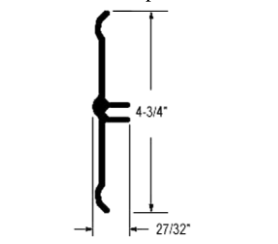
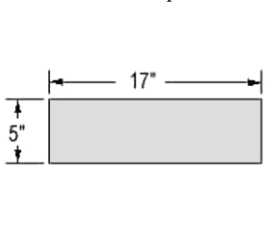
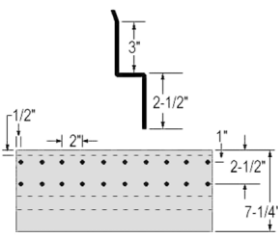
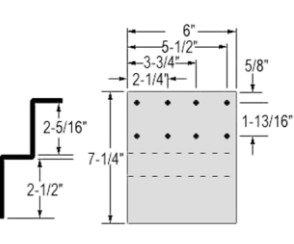
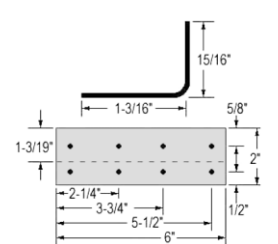
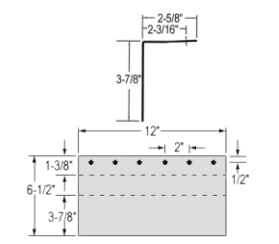
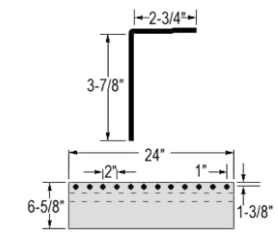
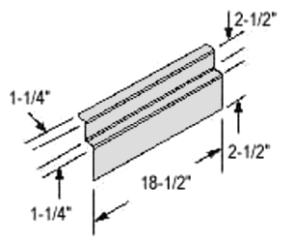
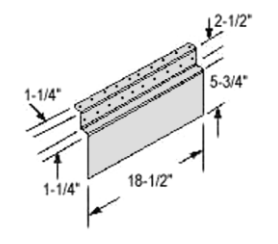
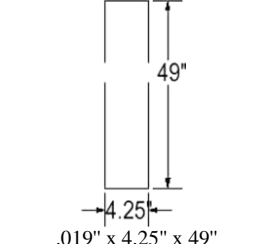
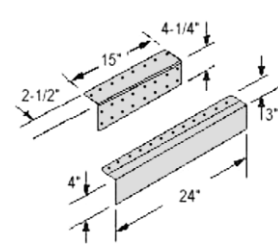
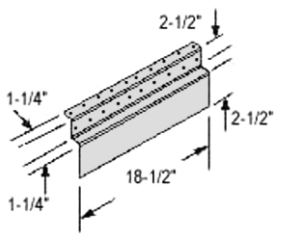
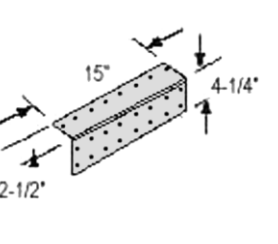


1. Top Rail - Profile (Steel)

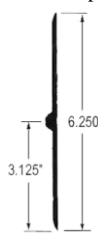


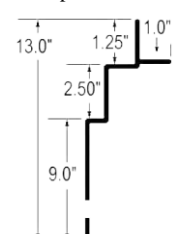
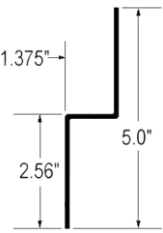
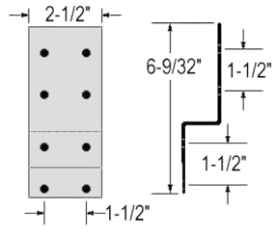
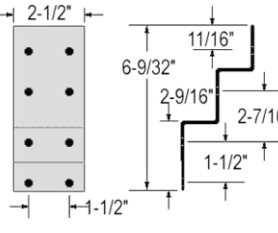
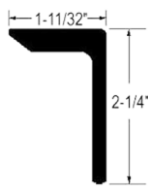
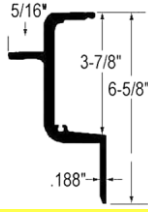
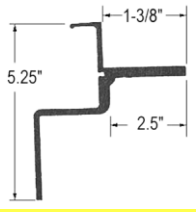
2.3.1.1.4: MARTEC RAILS

			
<p>1. 31RF0804141 Material: 6061-T6 Aluminum</p>	<p>1. 31RFG032F Material: 6061-T6 Aluminum</p>	<p>1. 34RF10004715 Dimensions in mm Unit Weight: 2.88 lbs/ft Material: A6061-T6</p>	<p>1. 31RFHYDG032A Material: SPA-H (Corten)</p>
			
<p>1. 61RFPG06316 Material: M.G.S.S.</p>	<p>1. MTR 30CP Material: Corten Length: 5702mm or 11840mm (224.5" or 466.14")</p>		

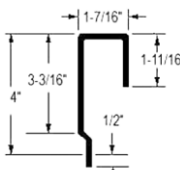
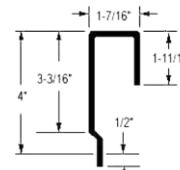
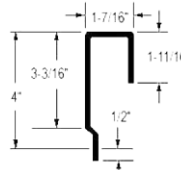
**2.3.1.2: TOP RAIL SPLICES**
**2.3.1.2.1: WABASH TOP RAIL SPLICES**

<p>Alum. Plate Top Rail Splice</p> 	<p>Aluminum Universal Splice</p> 	<p>Alum. FRP Splice Plate</p> 	<p>Aluminum 1/4\" Splice Plate</p> 
1. WABE3820040      8"	1. WABE3810040      8"	1. BOD0175-120      10' 2. BOD0175-576      48'	1. WAB01S00043
<p>FRP "Z" Splice</p> 	<p>FRP Universal Lower Splice</p> 	<p>Steel Upper Splice Angle</p> 	<p>Steel Lower Splice</p> 
1. WAB01S00426	1. WAB01S00004	1. WAB01S00007	1. WAB01S00008
<p>Steel Plate Splice Angle</p> 	<p>FRP Lower Splice Plate</p> 	<p>FRP Lower Universal Splice</p> 	<p>Splice Strip</p>  <p>.019" x 4.25" x 49"</p>
1. WAB01S00010	1. WAB01S00107	1. WAB01S00108      Plate 2. WAB01000040      Kit	1. WAB01S00466      White 2. WAB01S00467      Orange 3. WAB01S00468      Blue
<p>Plate Splice Kit</p> 	<p>Universal Splice Kit</p> 	<p>Lower Splice</p> 	
1. WAB01000026	1. WAB01000034	1. WAB01A00004	

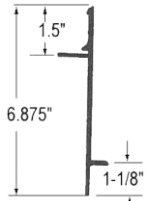
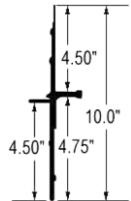
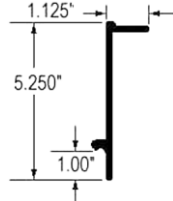

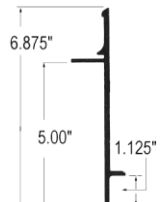
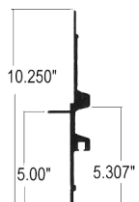
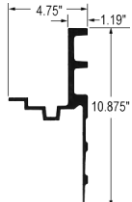
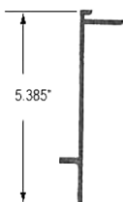
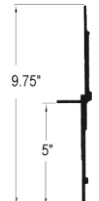
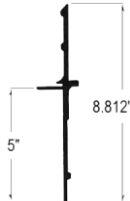
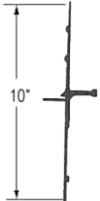
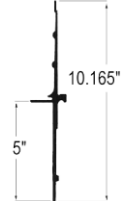
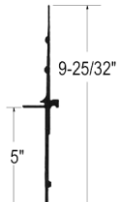
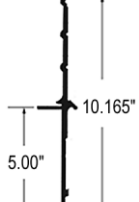
2.3.1.2.2: FRUEHAUF TOP RAIL SPLICES

<p>FRP Panel Splice</p>  <p>3.125" 6.250"</p>	<p>Inner Splice Plate</p>  <p>6.625"</p>	<p>Outer Splice Plate</p>  <p>6.250"</p>	<p>Splice Rail</p>  <p>13.0" 1.25" 1.0" 2.50" 9.0"</p>
<p>1. FRUSTK21316-44 44'</p>	<p>1. FRUSTK21725-46 46'</p>	<p>1. FRUSTK21726-46 46'</p>	<p>1. FRUBXE1243 46'</p>
<p>Splice Rail</p>  <p>1.375" 2.56" 5.0"</p>	<p>Steel Top Rail Splice</p>  <p>2-1/2" 6-9/32" 1-1/2" 1-1/2" 1-1/2"</p>	<p>Alum. Top Rail Splice</p>  <p>2-1/2" 6-9/32" 11/16" 2-9/16" 2-7/16" 1-1/2" 1-1/2"</p>	<p>Alum. Reinforcement</p>  <p>1-11/32" 2-1/4"</p>
<p>1. FRUBXE0454 14-1/2"</p>	<p>1. FRUWCE8245-1</p>	<p>1. FRUWCF4787-1</p>	<p>1. FRUSTK21248-43 43'</p>
<p>TRAILMOBILE Style</p>  <p>5/16" 3-7/8" 6-5/8" 188"</p>	<p>UTILITY Style</p>  <p>1-3/8" 5.25" 2.5"</p>		
<p>1. TMB90-4-2305-617 51'4"</p>	<p>1. UTII-6550-068 52'</p>		

2.3.1.3: WABASH TOP RAIL PROTECTORS

<p>Universal</p>  <p>1-7/16" 3-3/16" 4" 1-11/16" 1/2"</p>	<p>Center</p>  <p>1-7/16" 3-3/16" 4" 1-11/16" 1/2"</p>	<p>Center</p>  <p>1-7/16" 3-3/16" 4" 1-11/16" 1/2"</p>	
<p>1. WAB07600021 120"</p>	<p>1. WAB07600022 C/S 55" 2. WAB07600023 R/S 55" 3. WAB07600030 R/S 88" 4. WAB07600031 C/S 88"</p>	<p>1. WAB07600029 24" 2. WAB07600109 96" 3. WAB07600024 120"</p>	

**2.3.2: BOTTOM RAILS, SPLICES, RUB RAILS, & LIFTPADS**
**2.3.2.1: BOTTOM RAILS**
**2.3.2.1.1: WABASH BOTTOM RAILS**

				
1. WABE0021080 9' 2. WABE0023240 27' 3. WABE0026260 52'		1. WABE0103218 26'9.5"	1. WABE0151080 9' 2. WABE0153240 27' 3. WABE0155180 43'2" 4. WABE0156260 52'	1. WABE0361080 9' 2. WABE0363240 27' 3. WABE0366260 52'
				
1. WABE047323C 26'9"	1. WABE056563C 46'	1. WABE1366228 51'	1. WABE1831080 9' 2. WABE1833240 27' 3. WABE1836260 52'	
				
1. WABE3831080 9' 2. WABE3833240 27' 3. WABE3836260 52' 4. WABE383678C 56'	1. WABE456624C 52'9"	1. WABE4663374 28' 2. WABE4665760 48'	1. WABE5571080 9' 2. WABE5573240 27' 3. WABE5576260 52'	
				
1. WABE520624C 52'-3/4"	1. WABE7321080 9' 2. WABE7323240 27' 3. WABE7326260 52'			

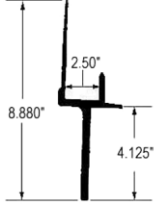
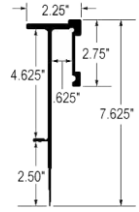
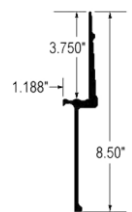

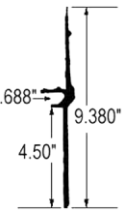
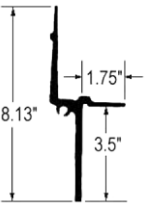
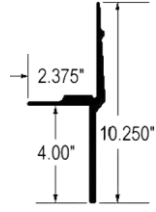

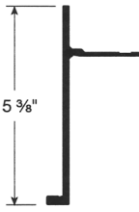
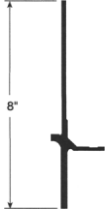
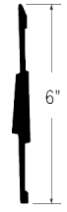
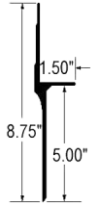
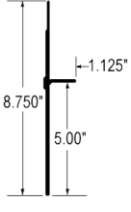
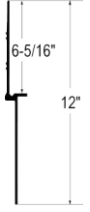

2.3.2.1.2: FRUEHAUF BOTTOM RAILS

1. FRUSTK20736-47 47'1"	1. FRUSTK20913-47 47'1"	1. FRUSTK20963-44 44'3"	1. FRUSTK21037-48 48'
1. FRUSTK21038-11 11' 2. FRUSTK21038-47 47'1" 3. FRUSTK21038-52 52'1"	1. FRUSTK21051-47 47'1"	1. FRUSTK21074-29 28'6"	1. FRUSTK21082-31 31'
1. FRUSTK21171-47 47'1"	1. FRUSTK21246-52 52'1"	1. FRUSTK21802-52 52'1"	1. FRUSTK21803-47 47'1" 2. FRUSTK21803-52 52'1"

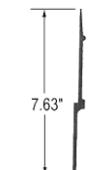
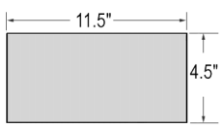
2.3.2.1.3: OTHER MANUFACTURERS' BOTTOM RAILS

1. BUD2485 46'8-3/4"	1. DSY2509174-558 46'	1. DSY2508890-531 44'3"	1. DSY2509177-558 46'6"



1. DUN40-11-97-002 46'8"	1. GDA71025 44'3"	1. GDA75560 47'1"	1. GDA004-09864-09940 51'9"
MILLER Style 	MONON Style 	MONON Style 	MONON Style 
1. MLR900-000532 47'1"	1. MONV01-104A 47'1"	1. MONV01-104H 47'1"	1. MONV01-192-52 52'
MONON Style 	STOUGHTON Style 	STOUGHTON Style 	STOUGHTON Style 
1. MONAB032467 39'	1. STO02-05184-562-00 46'	1. STO02-09727-625-00 52'1"	1. STO02-09828-464-7538'3/4" 2. STO02-09828-564-00 47'
STOUGHTON Style 	STOUGHTON Style 	STOUGHTON Splice Plate Wedge Post 	STRICK Style 
1. STO02-11131-512-00 42' 7"	1. STO02-13840-463-75 38' 6"	1. STO02-13841-105-31105-1/4"	1. STRAA91C006151W3 51'
STRICK Style 	TRAILMOBILE Style 	UTILITY Style 	
1. STRAA91C005151V9 51'	1. TMB90-4-1076-615 51'3" 2. TMB90-4-1076-636 53'	1. UTI1-6650-062 52'	

**2.3.2.2: BOTTOM RAIL SPLICES**
**2.3.2.2.1: WABASH BOTTOM RAIL SPLICES**

RPS Splice 	Bottom Rail Splice 	Splice Kit for Plate Trailer Includes: 4—3/8" Torx Bolts 4—3/8" S/S Washers 4—3/8" Nylon Lock Nuts Hardware only	Splice Kit for Alum. Vans Includes: 12—3/8" x 1" Torx Bolts 12—3/8" Nylon Lock Nuts 18—1/4" x 5/8" B.H. Rivets 1—Upper Splice Plate; 17" x 15" 1—Lower Splice Plate; 12" x 54" 1—Anti-Electrolysis Tape
---	---	---	--

1. WABE7441080	9'	1. WAB01A00005	1. WAB01000023	1. WAB01000025
----------------	----	----------------	----------------	----------------

2.3.2.2.2: FRUEHAUF BOTTOM RAIL SPLICES

<p>Aluminum Splice</p>	<p>Steel Upper Splice Plate</p>	<p>Steel Upper Splice Plate</p>	<p>Steel Lower Splice Plate</p>
------------------------	---------------------------------	---------------------------------	---------------------------------

1. FRUSTK20533-120	10'	1. FRUBXE0646-2	1. FRUBXE0679	1. FRUBXE0675 1/4" thick
--------------------	-----	-----------------	---------------	--------------------------

<p>Lower Rail Flange Closeout</p>	<p>Lower Splice Plate</p>		
-----------------------------------	---------------------------	--	--

1. FRUBXE0790	Alum.	1. FRUBXE0882-1		
---------------	-------	-----------------	--	--

2.3.2.3: RUB RAILS

<p>WABASH FRP Rub Rail</p>	<p>WABASH Rub Rail</p>	<p>Aluminum Flanged Rub Rail</p>	<p>MONON Style FRP Rub Rail</p>
----------------------------	------------------------	----------------------------------	---------------------------------

1. WABE0031080	9'	1. WABE0766130	51'	1. WABE9153140	26'2"	1. MONV01-109	47'1"
2. WABE0033240	27'	2. WAB04300004	End casting	2. WAB04300008	End casting		
3. WABE0036260	52'						

2.3.2.4: LIFT PADS

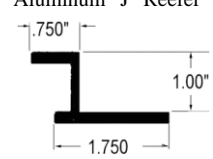
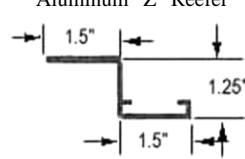
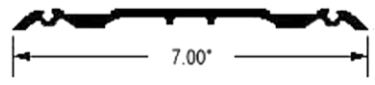
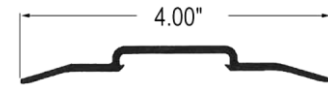
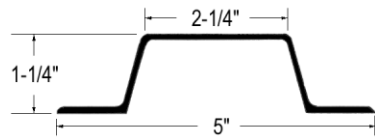
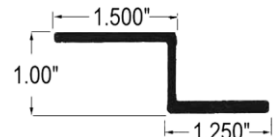
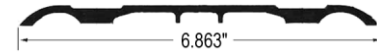
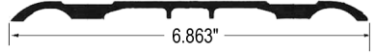
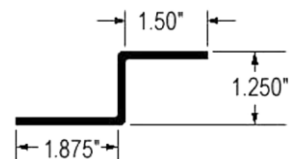
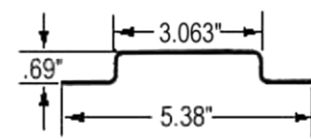
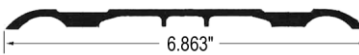
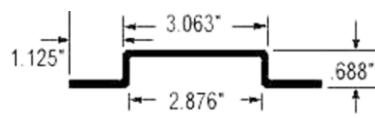
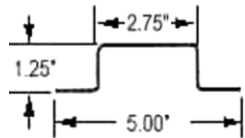
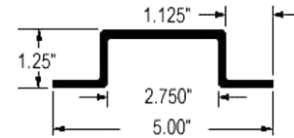
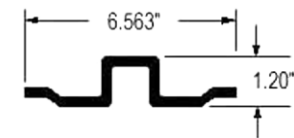
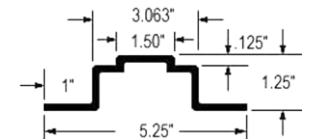
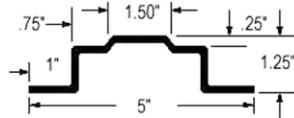
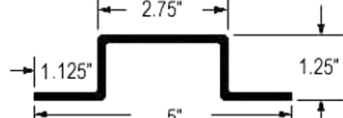
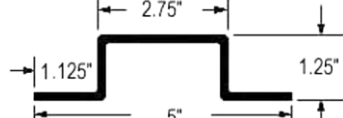
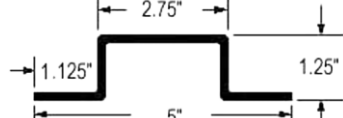
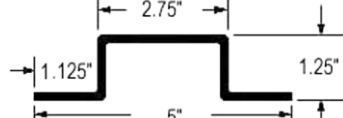
--	--	--

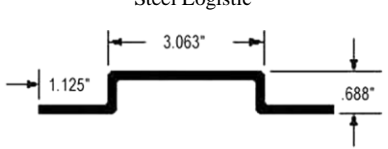
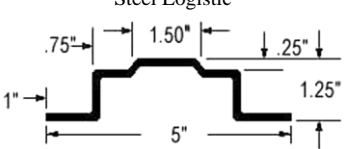
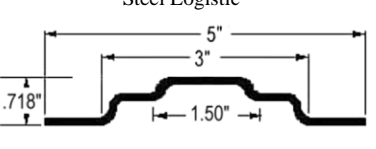
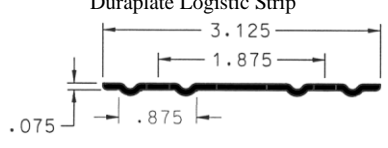
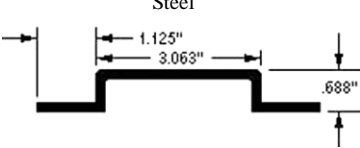
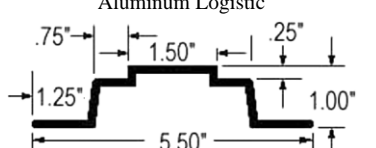
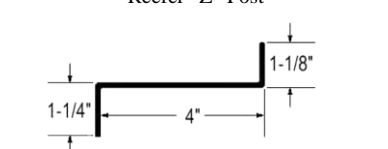
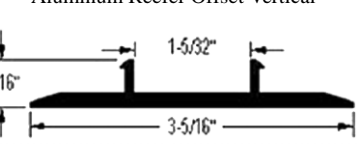
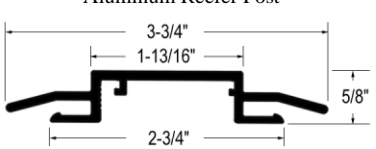
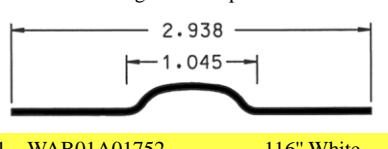
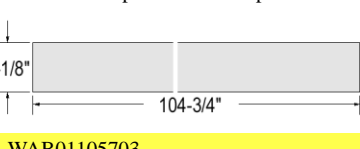
1. MTR07600001	3rd R/S 120"	1. MTR07600003	Front R/S 120"	1. MTR07600048	Rear universal
				2. MTR07600049	Front R/S
				3. MTR07600050	Front C/S

2.3.3: SIDE POSTS

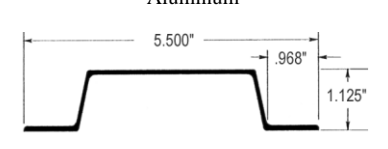
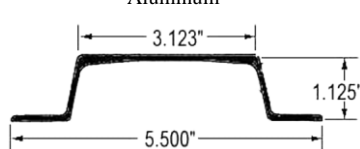
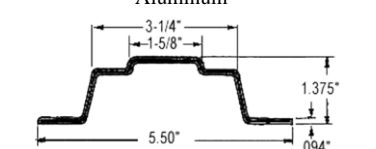
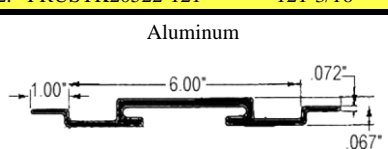
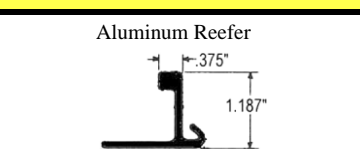
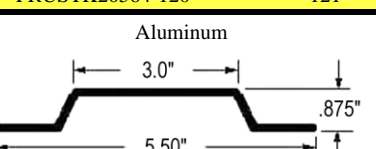
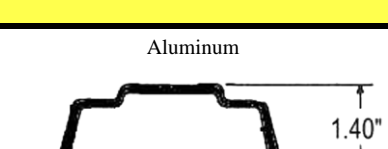
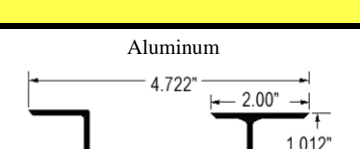
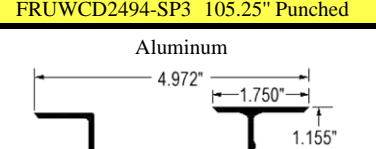
2.3.3.1: WABASH SIDES POSTS

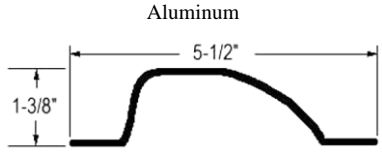
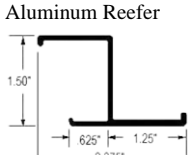
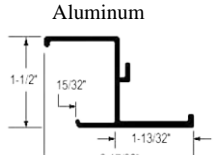
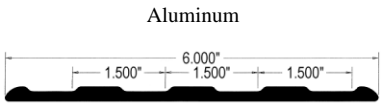
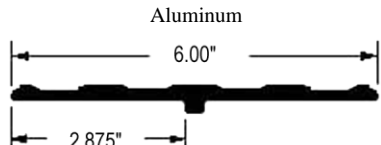
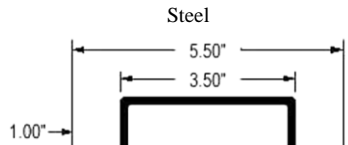
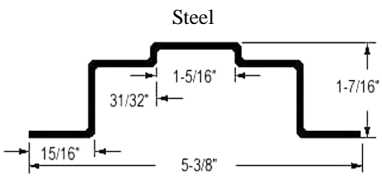
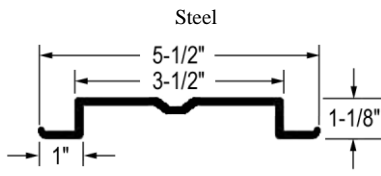
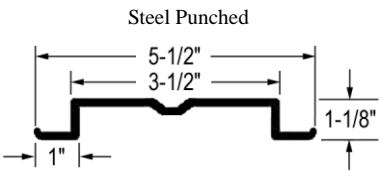
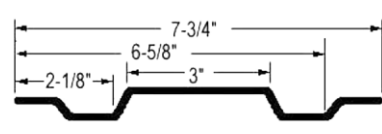
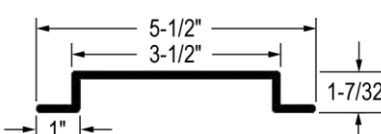
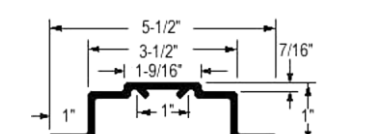
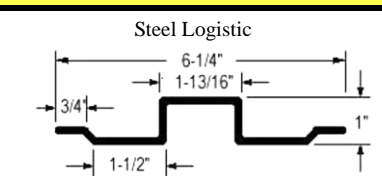
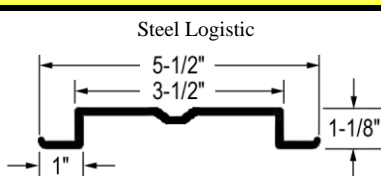
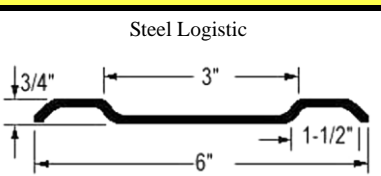
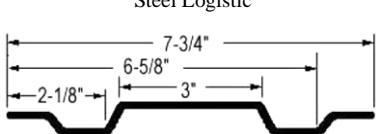
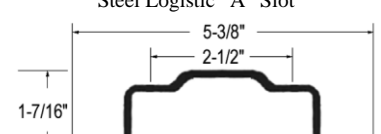
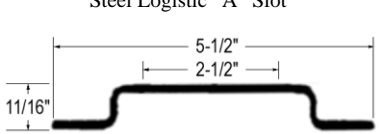
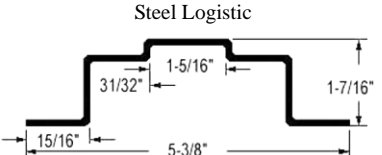
<p>Aluminum</p>	<p>Aluminum "Z" Reefer</p>	<p>Aluminum Starter</p>
-----------------	----------------------------	-------------------------

1. WABE0161114 111-1/4" Aluminum "J" Reefer 	1. WABE0840387 38-7/16" 2. WABE0841200 120" Aluminum "Z" Reefer 	1. WABE0901200 120" Aluminum 
1. WABE1031100 110" Aluminum Reefer 	1. WABE1971112 111-1/8" Aluminum 	1. WABE2301254 125-1/4" Aluminum "Z" Reefer 
1. WABE3860990 99" Aluminum Punched 	1. WABE4681114 111-1/4" Aluminum Unpunched 	1. WABE515112A 112-7/8" Steel Starter 
1. WABE8411260 126" Steel 	1. WABE8411520 152" Aluminum PPW Unpunched 	1. WAB01S00012 105-1/4" Steel Logistic 
1. WAB01200038 110" Steel Punched 	1. WAB012A0041 120" Steel 	1. WAB01200047 110" Steel Double Logistic 
1. WAB01200069 112" 2. WAB01200262 125" Steel Logistic 	1. WAB01200074 107.625" Steel Logistic 	1. WAB01200109 128" Galvanized Steel Logistic 
1. WAB01200120 106-1/4" 	1. WAB01200202 132-1/2" 	1. WAB01200265 105-7/8" 2. WAB01200266 131-7/8" 3. WAB01200267 113-7/8" 

<p>Steel Logistic</p>  <p>1. WAB01200303 119"</p>	<p>Steel Logistic</p>  <p>1. WAB01200464 111-7/8"</p>	<p>Steel Logistic</p>  <p>1. WAB01200725 109-5/8"</p>
<p>Duraplate Logistic Strip</p>  <p>1. WAB01S00428 109-3/4"</p>	<p>Steel</p>  <p>1. WABSP021320 132"</p>	<p>Aluminum Logistic</p>  <p>1. WABE0541094 109-5/8"</p>
<p>Reefer "Z" Post</p>  <p>1. WAB21500130 66"</p>	<p>Aluminum Reefer Offset Vertical</p>  <p>1. WABE3850990 99"</p>	<p>Aluminum Reefer Post</p>  <p>1. WABE7680990 99"</p>
<p>Outer Logistic Duraplate Cover</p>  <p>1. WAB01A01752 116" White 2. WAB01A01720 116" Orange</p>	<p>Duraplate Baton Strip</p>  <p>1. WAB01105703</p>	

2.3.3.2: FRUEHAUF SIDE POSTS

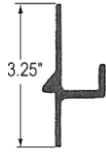
<p>Aluminum</p>  <p>1. FRUSTK20522-108 108-1/2" 2. FRUSTK20522-121 121-3/16"</p>	<p>Aluminum</p>  <p>1. FRUSTK20957-106 106"</p>	<p>Aluminum</p>  <p>1. FRUSTK20564-108 108" 2. FRUSTK20564-120 121"</p>
<p>Aluminum</p>  <p>1. FRUSTK20571-114 104"</p>	<p>Aluminum Reefer</p>  <p>1. FRUSTK20573-104 104-11/16"</p>	<p>Aluminum</p>  <p>1. FRUSTK20588-105 105.25" 2. FRUWCD2494-SP3 105.25" Punched</p>
<p>Aluminum</p>  <p>1. FRUSTK21001-108 108"</p>	<p>Aluminum</p>  <p>1. FRUSTK21090-108 108"</p>	<p>Aluminum</p>  <p>1. FRUSTK21091-104 103.88"</p>

<p>Aluminum</p> 	<p>Aluminum Reefer</p> 	<p>Aluminum</p> 
1. FRUSTK21476-103 103"	1. FRUSTK21577-108 108"	1. FRUSTK21850-108 108"
<p>Aluminum</p> 	<p>Aluminum</p> 	<p>Steel</p> 
1. FRUSTK21831-106 106.25"	1. FRUSTK21852-106 106.25"	1. FRUSTK30090-107 107.5" unpunched 2. FRUSTKP30237-120 120" punched
<p>Steel</p> 	<p>Steel</p> 	<p>Steel Punched</p> 
1. FRUSTK30095-104 104.6"	1. FRUSTK30237-107 2. FRUSTK30237-109 107" 109"	1. FRUSTKP30237-120 120"
<p>Steel</p> 	<p>Steel</p> 	<p>Steel Logistic</p> 
1. FRUSTK30240-106E 106.88" 2. FRUSTK30240-112 112"	1. FRUWBA1582-22 109"	1. FRUWCC9088-107 107.5" 2. FRUWCC9088-8 106"
<p>Steel Logistic</p> 	<p>Steel Logistic</p> 	<p>Steel Logistic</p> 
1. FRUWCA9446-13 123-29/32"	1. FRUWCE7902-297 106"	1. FRUWCE7902-352 106"
<p>Steel Logistic</p> 	<p>Steel Logistic "A" Slot</p> 	<p>Steel Logistic "A" Slot</p> 
1. FRUWCE7902-367 112"	1. FRUWNB3433-10 106"	1. FRUWNB3756-15 106"
<p>Steel Logistic</p> 		
1. FRUWUB0778-16 121-3/16"		

2.3.3.3: OTHER MANUFACTURER'S SIDE POSTS

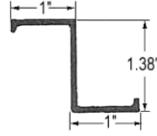
<p>Steel BUDD Style</p> <p>1. BUD2250 105.88"</p>	<p>Steel DORSEY Style</p> <p>1. DSY2708877 112"</p>	<p>Steel DORSEY Style</p> <p>1. DSY1208829 112"</p>
<p>Steel Punched GREAT DANE Style</p> <p>1. GDA00300 120"</p>	<p>Aluminum "Z" GREAT DANE Style</p> <p>1. GDA70262 110-1/4"</p>	<p>Aluminum "Z" GREAT DANE Style</p> <p>1. GDA71232 114-1/8"</p>
<p>Aluminum PPW GREAT DANE Style</p> <p>1. GDA42400648 112"</p>	<p>Aluminum PPW GREAT DANE Style</p> <p>1. GDA60405301 112"</p>	<p>Steel MILLER Style</p> <p>1. MLR900-053832 104-15/16"</p>
<p>Steel MONON Style</p> <p>1. MONV02-102F 120"</p>	<p>Steel MONON Style</p> <p>1. MON03-1-007-14A 104"</p>	<p>HD Galv. Steel PINES Style</p> <p>1. PNESPB0847 108"</p>
<p>Steel STOUGHTON Style</p> <p>1. STO01-06407-064-00 108-3/4"</p>	<p>Steel STOUGHTON Style</p> <p>1. STO02-11202-111-75 Mill 2. STO04-13580-105-31 PPW</p>	<p>Aluminum STOUGHTON Style</p> <p>1. STO02-13352-110-00 110"</p>
<p>Aluminum STOUGHTON Style</p> <p>1. STO02-14899-107-00</p>	<p>Aluminum STOUGHTON Style</p> <p>1. STO02-19144-107-56 107-9/16"</p>	<p>Punched Steel STOUGHTON Style</p> <p>1. STO18-04077-000-00 Lift Post</p>
<p>Steel "Z" STRICK Style</p> <p>1. STRAA63B00112300 105-3/8"</p>	<p>Steel TRAILMOBILE Style</p> <p>1. TMB90-4-1266-112 112"</p>	<p>Aluminum TRAILMOBILE Style</p> <p>1. TMB90-4-483-114 114"</p>

Aluminum TRAILMOBILE Style Starter



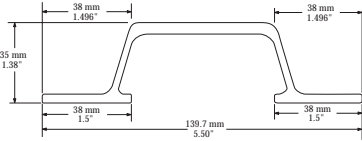
1. TMB90-4-483-114 114"

Aluminum UTILITY Style



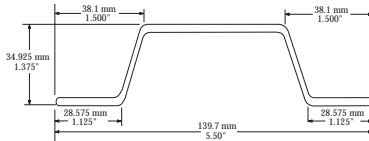
1. UTIZ805

Exterior Side Post



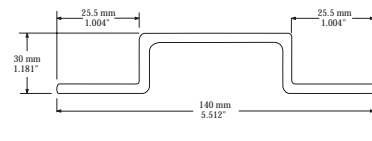
1. 31RF0804093  
Material: 6061-T6 Aluminum

Exterior Side Post



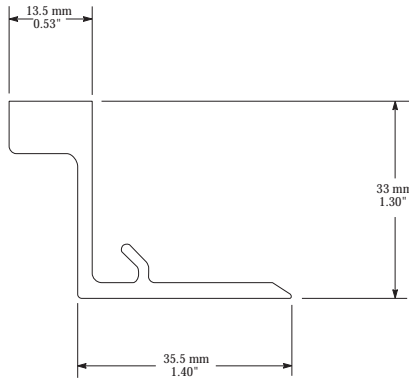
1. 31RF0804130  
Material: 6061-T6 Aluminum

Exterior Side Post



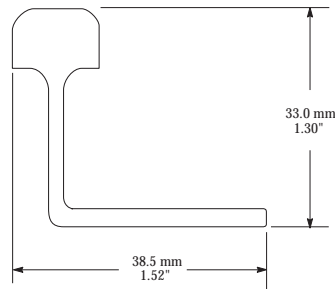
1. 31RF0804183  
Material: 6061-T6 Aluminum

Interior Side Post



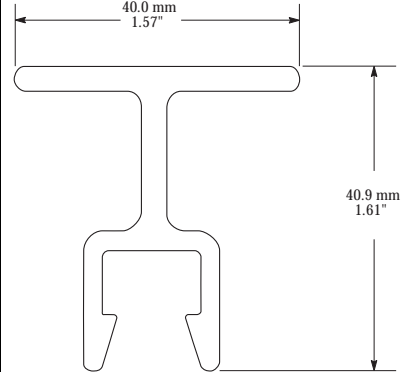
1. 40RF001500501  
Material: 6061-T6 Aluminum

Interior Side Post



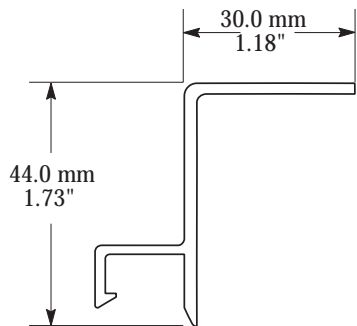
1. 39RFSPALU  
Material: 6061-T6 Aluminum

Side Stringer



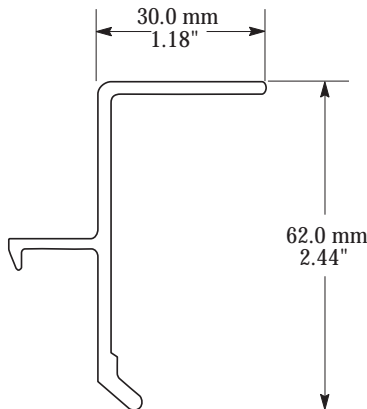
1. 39RFSSPVC  
Material: PVC

Side Stringer



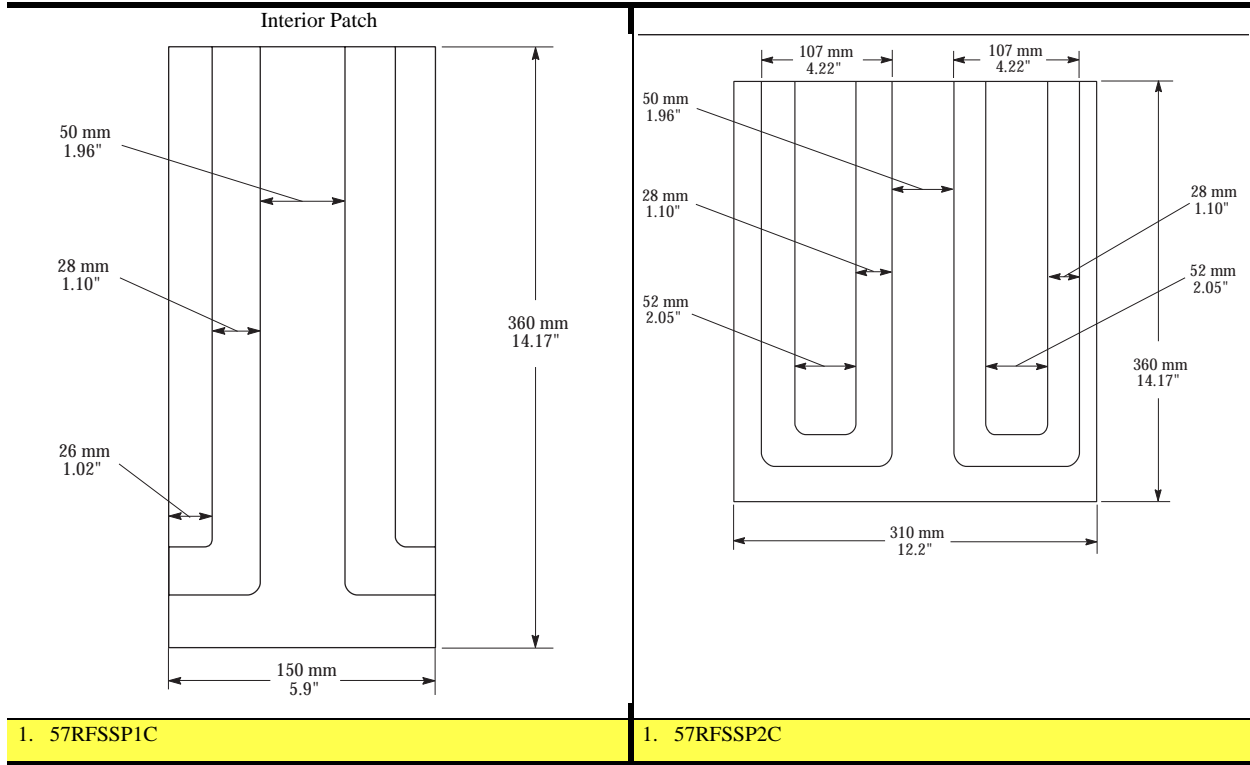
1. 40RF0064530  
Material: PVC

Side Stringer



1. 40RF0064480  
Material: PVC

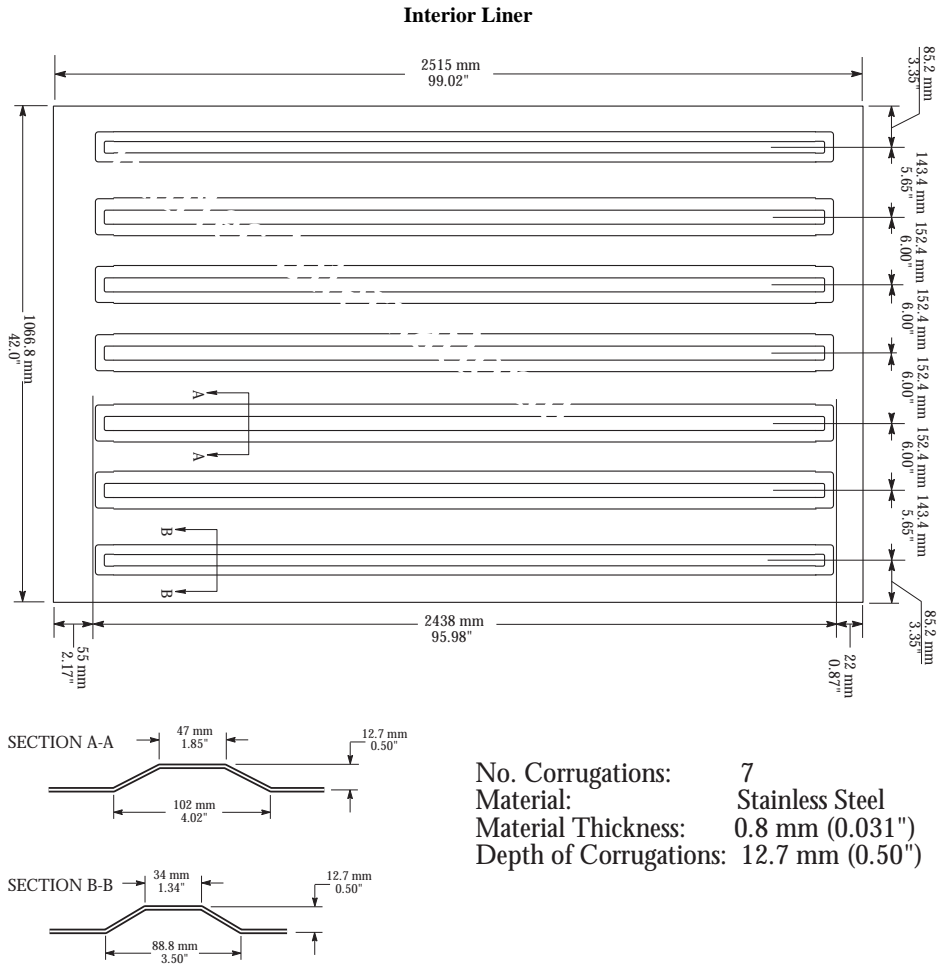
**2.3.4: REEFER PANELS**



2: Body Parts

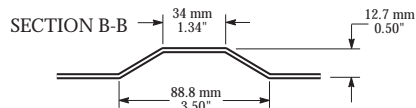
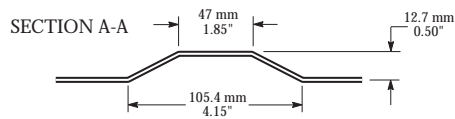
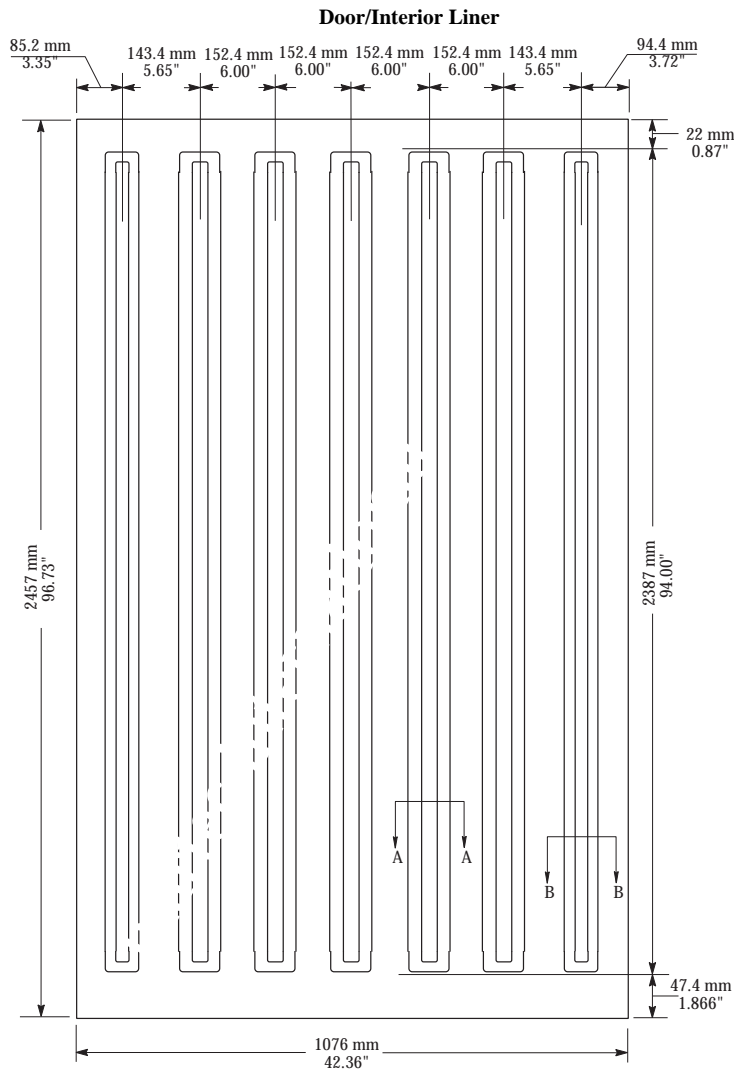


**2.3.4: REEFER PANELS**



1. 43RF3221472

**2.3.4: REEFER PANELS**

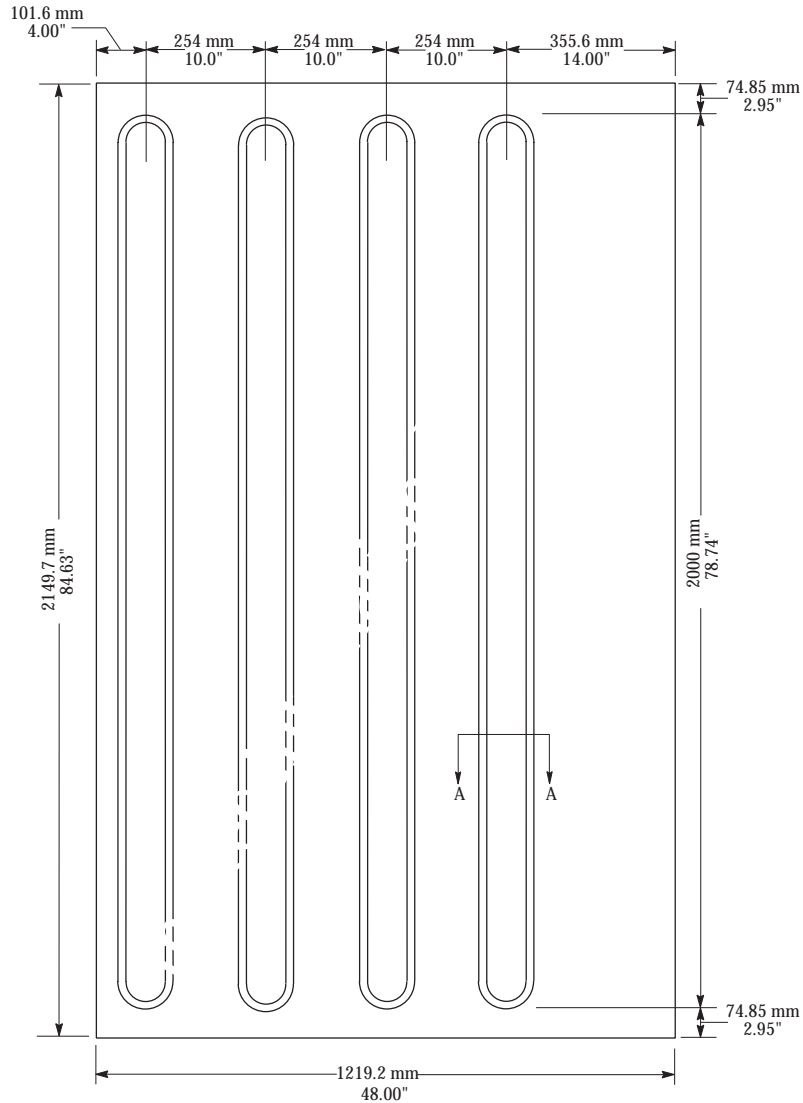


No. Corrugations: 7  
 Material: Stainless Steel  
 Material Thickness: 0.8 mm (0.031")  
 Depth of Corrugations: 12.7 mm (0.50")

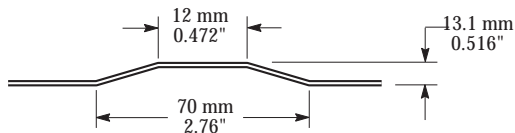
1. 43RF3221475

**2.3.4: REEFER PANELS**

Interior Liner



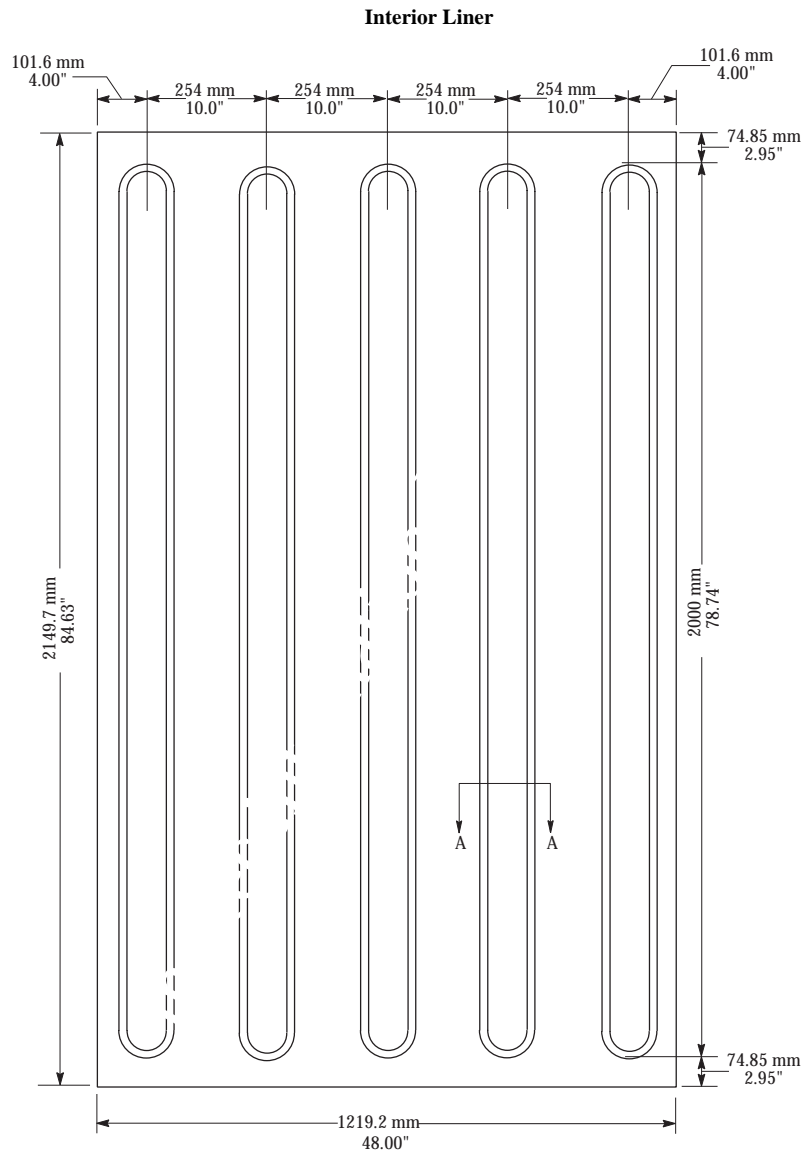
SECTION A-A



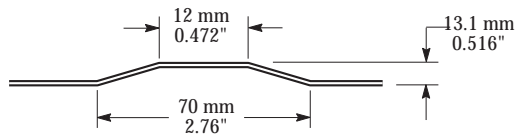
No. Corrugations: 5  
 Material: Stainless Steel  
 Material Thickness: 0.8 mm (0.0315")  
 Depth of Corrugations: 13.1 mm (0.516")

1. 43RF3228714

**2.3.4: REEFER PANELS**



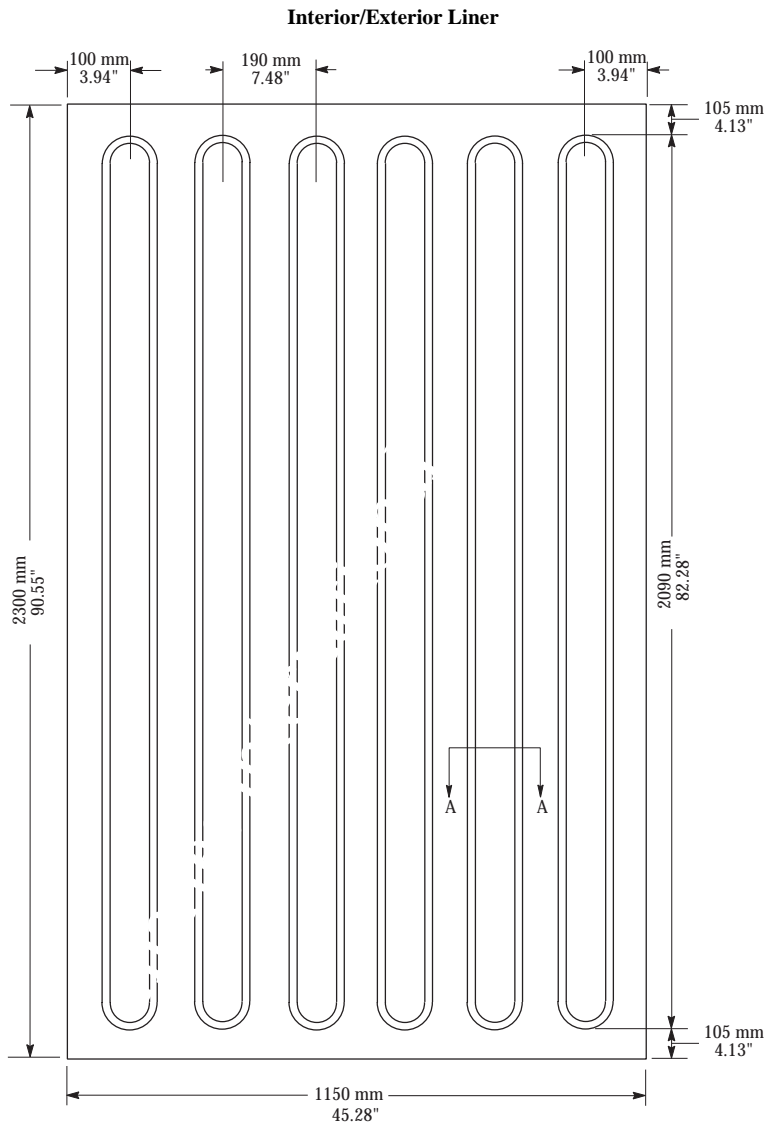
SECTION A-A



No. Corrugations: 5  
 Material: Stainless Steel  
 Material Thickness: 0.8 mm (0.0315")  
 Depth of Corrugations: 13.1 mm (0.516")

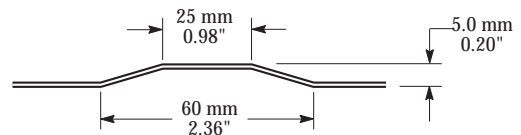
1. 43RF3228715

**2.3.4: REEFER PANELS**



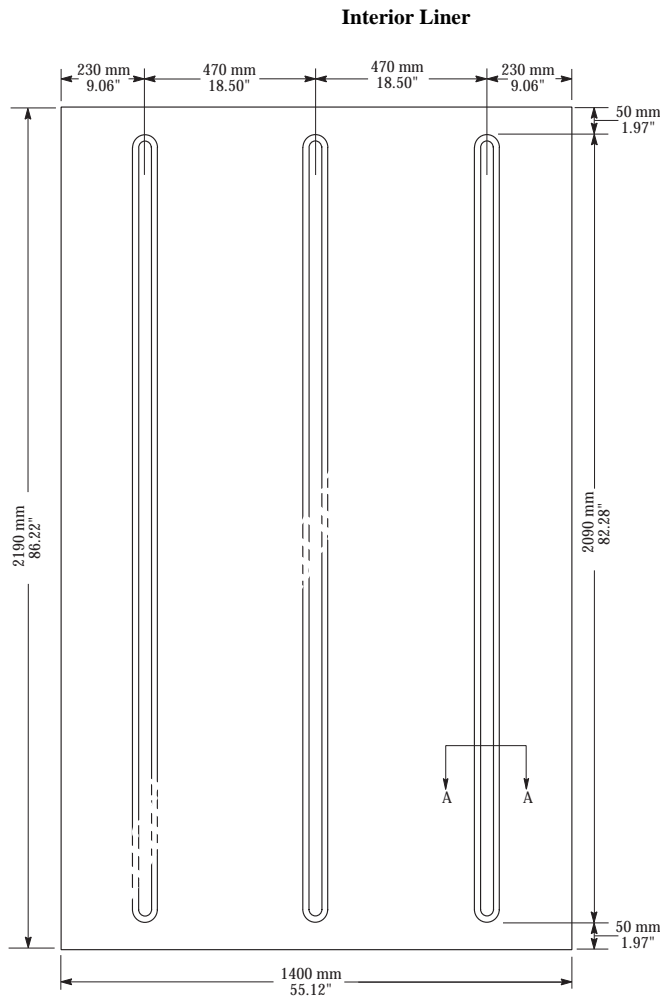
No. Corrugations: 6  
 Material: Stainless Steel  
 Material Thickness: 1.2mm (0.047")  
 Depth of Corrugations: 5.0mm (0.20")

SECTION A-A



1. 52RF1001

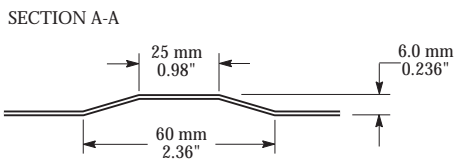
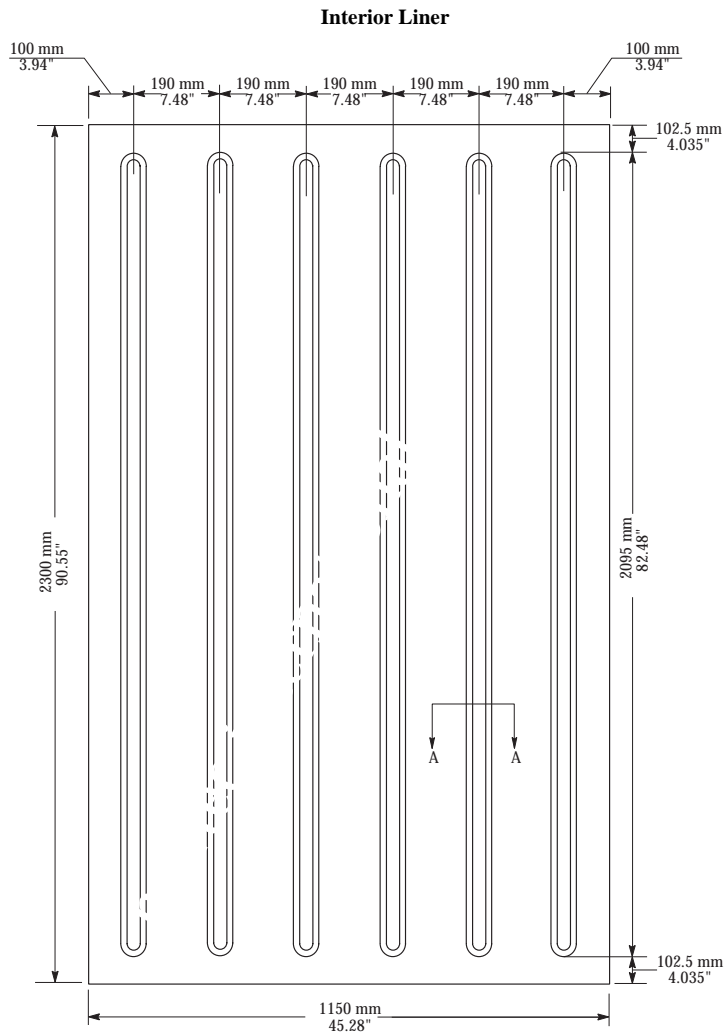
**2.3.4: REEFER PANELS**



No. Corrugations: 3  
 Material: Stainless Steel  
 Material Thickness: 0.8 mm (0.031")  
 Depth of Corrugations: 7.0 mm (0.28")

1. 52RF100188A3C

**2.3.4: REEFER PANELS**



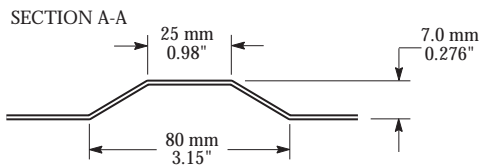
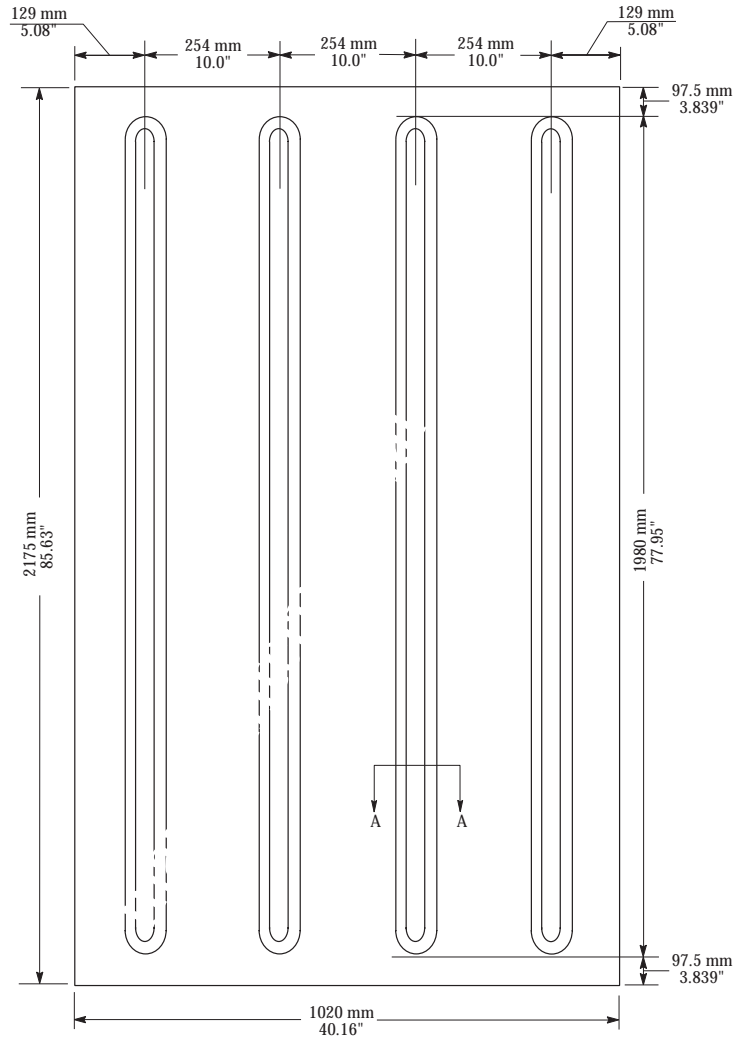
No. Corrugations: 6  
 Material: Stainless Steel  
 Material Thickness: 0.8mm (0.031")  
 Depth of Corrugations: 6.0mm (0.236")

1. 52RF1005

2: Body Parts

**2.3.4: REEFER PANELS**

Interior/Exterior Liner



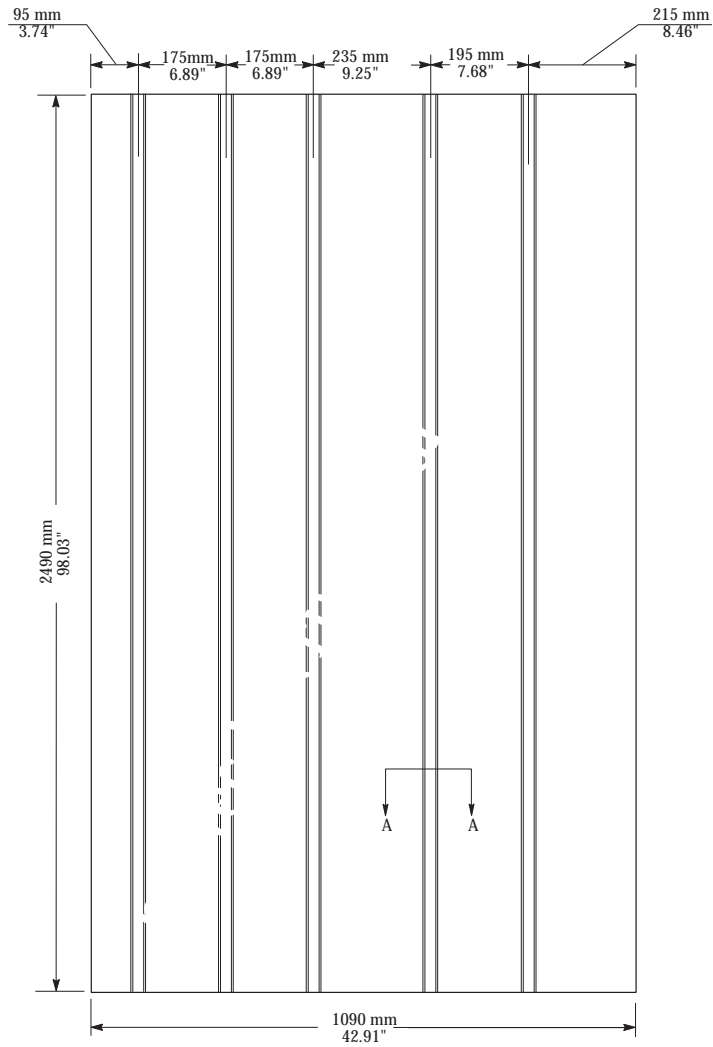
No. Corrugations: 4  
 Material: Stainless Steel  
 Material Thickness: 0.8 mm (0.031")  
 Depth of Corrugations: 7.0 mm (0.276")

1. 52RF1006

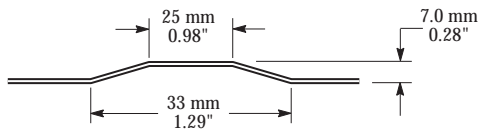


**2.3.4: REEFER PANELS**

Exterior Liner



SECTION A-A

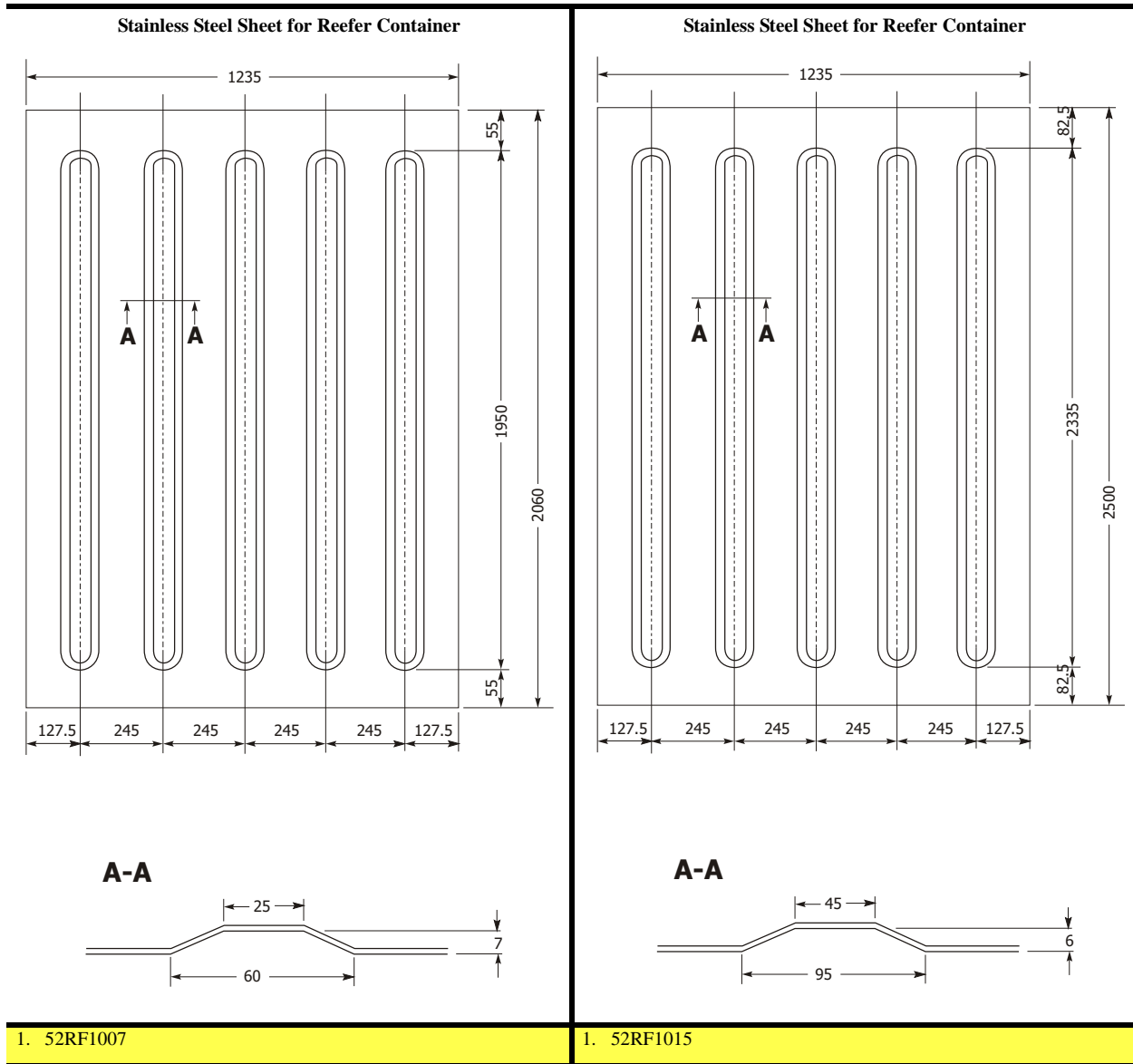


No. Corrugations: 5  
 Material: Stainless Steel  
 Material Thickness: 1.2 mm (0.047")  
 Depth of Corrugations: 7 mm (0.28")

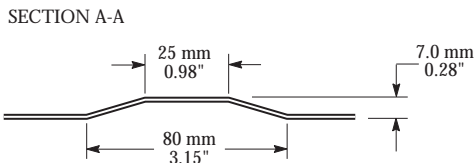
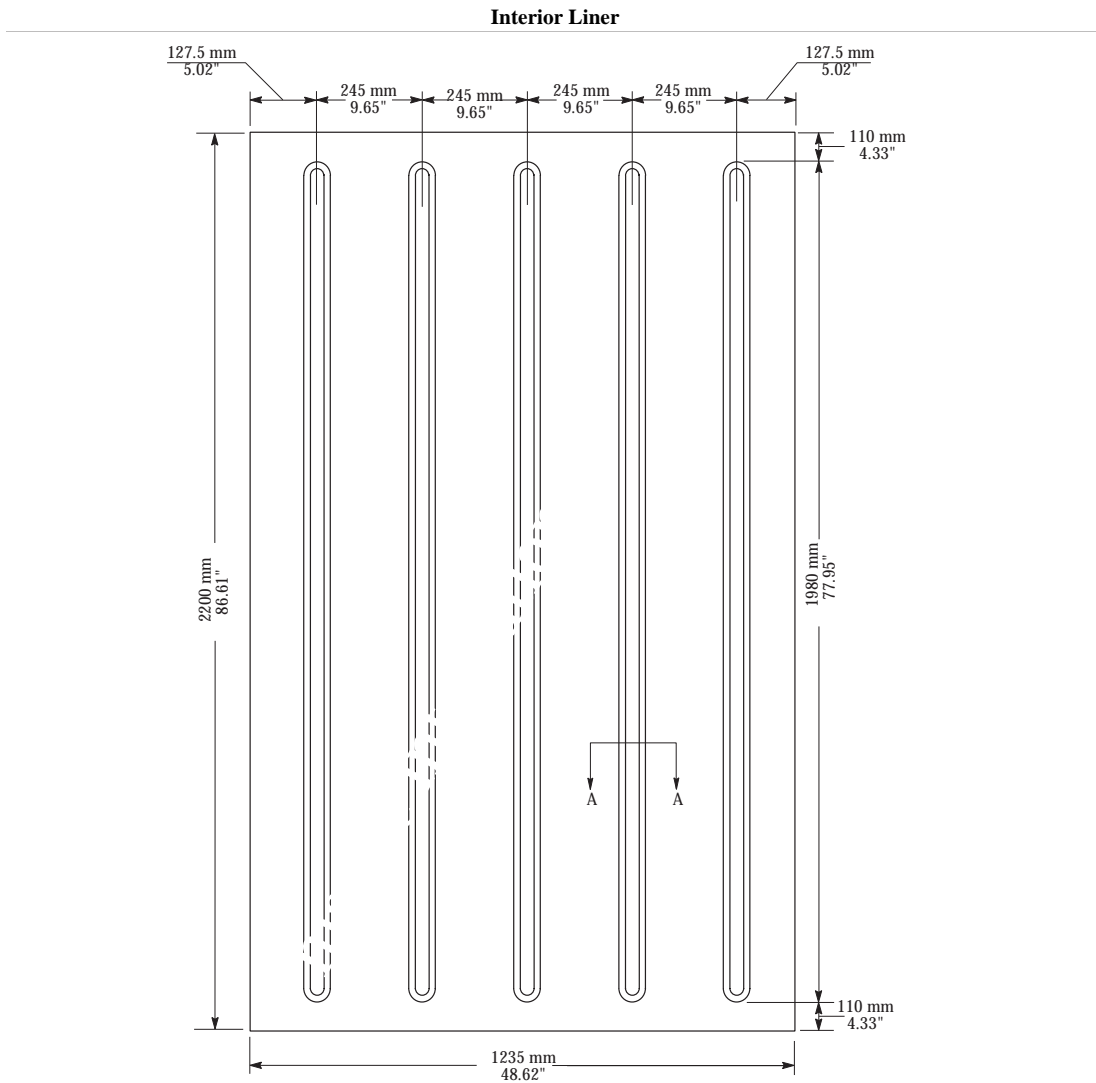
1. 52RFSD0016

2: Body Parts

**2.3.4: REEFER PANELS**



**2.3.4: REEFER PANELS**

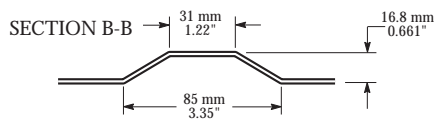
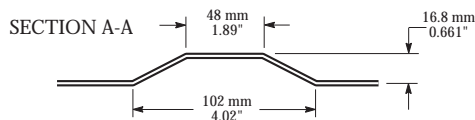
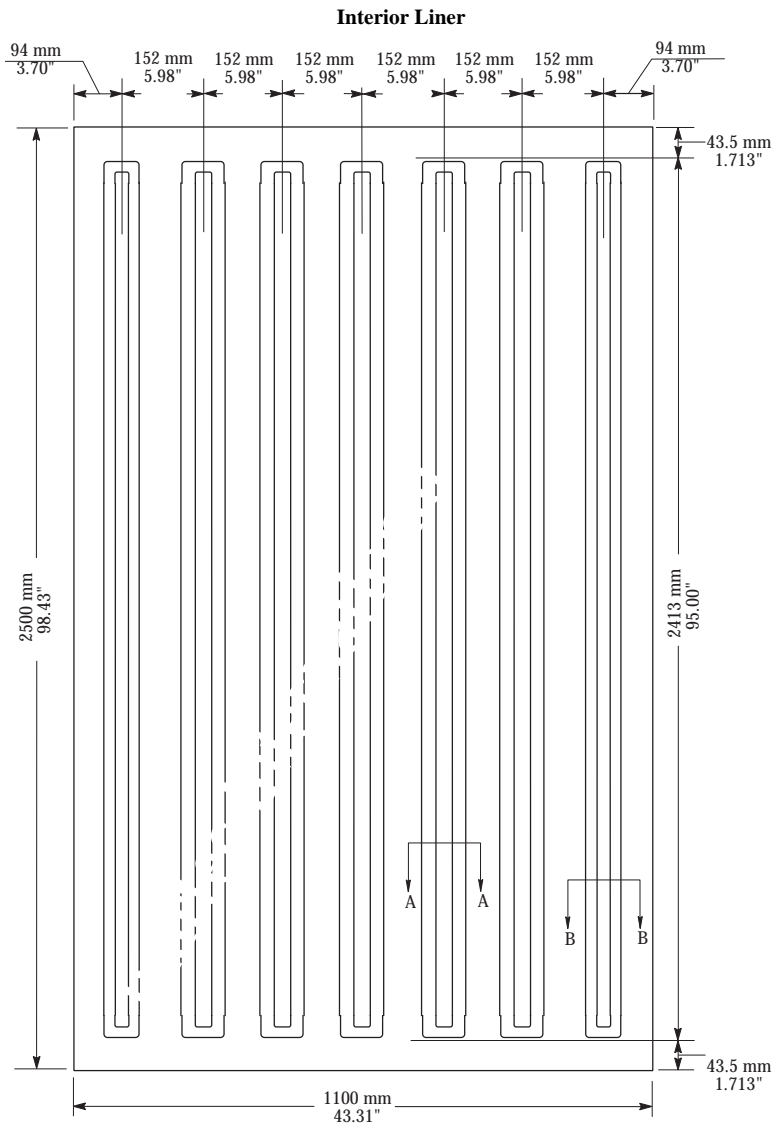


No. Corrugations: 5  
 Material: Stainless Steel  
 Material Thickness: 0.8 mm (0.031")  
 Depth of Corrugations: 7.0 mm (0.28")

1. 52RF10065

**2: Body Parts**

**2.3.4: REEFER PANELS**

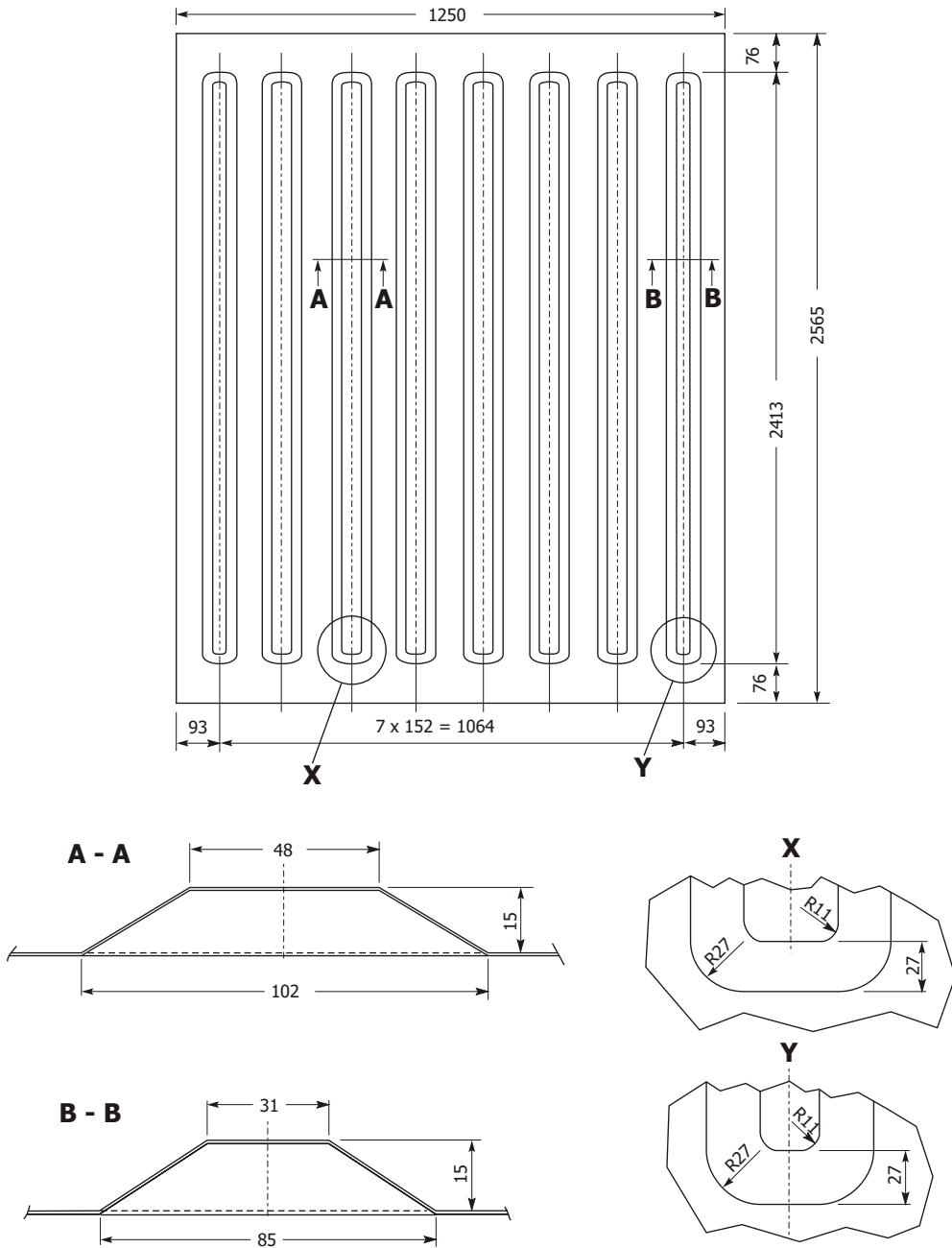


No. Corrugations: 7  
 Material: Stainless Steel  
 Material Thickness: 0.8 mm (0.031")  
 Depth of Corrugations: 16.8 mm (0.661")

1. 52RF1020

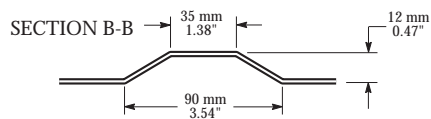
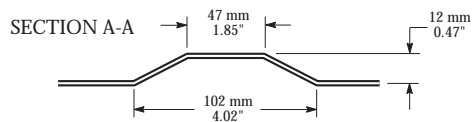
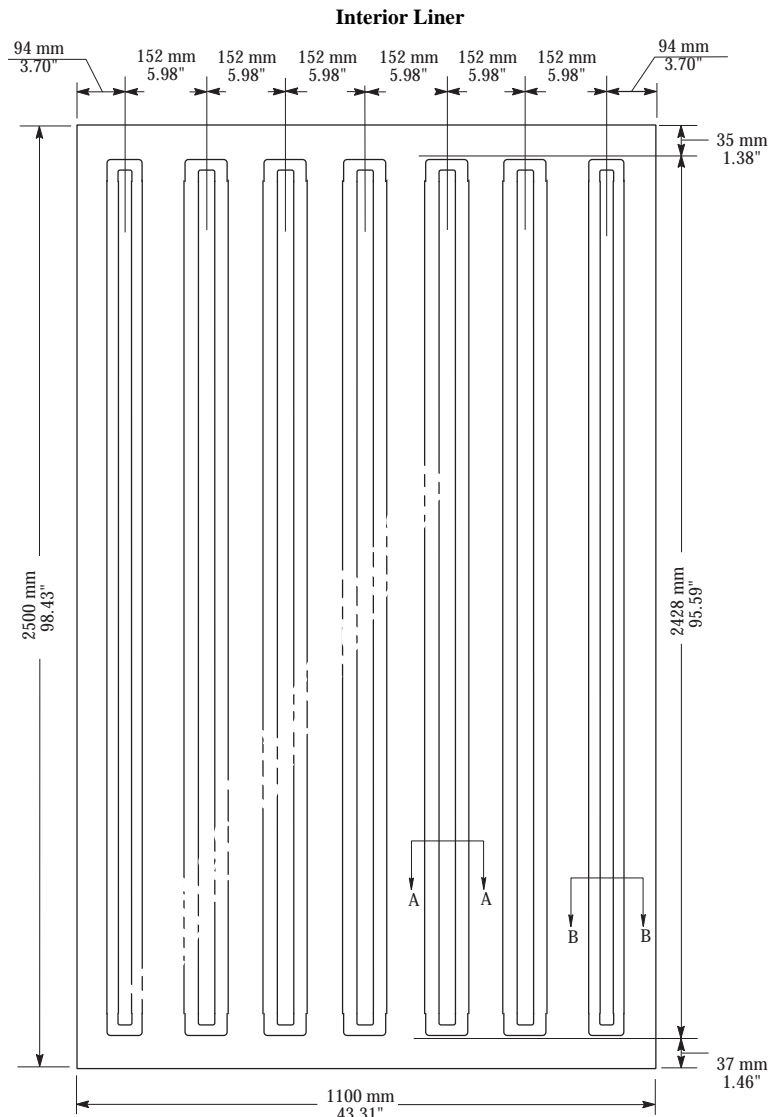
**2.3.4: REEFER PANELS**

Stainless Steel Sheet for Reefer Container



1. 52RF102091A8

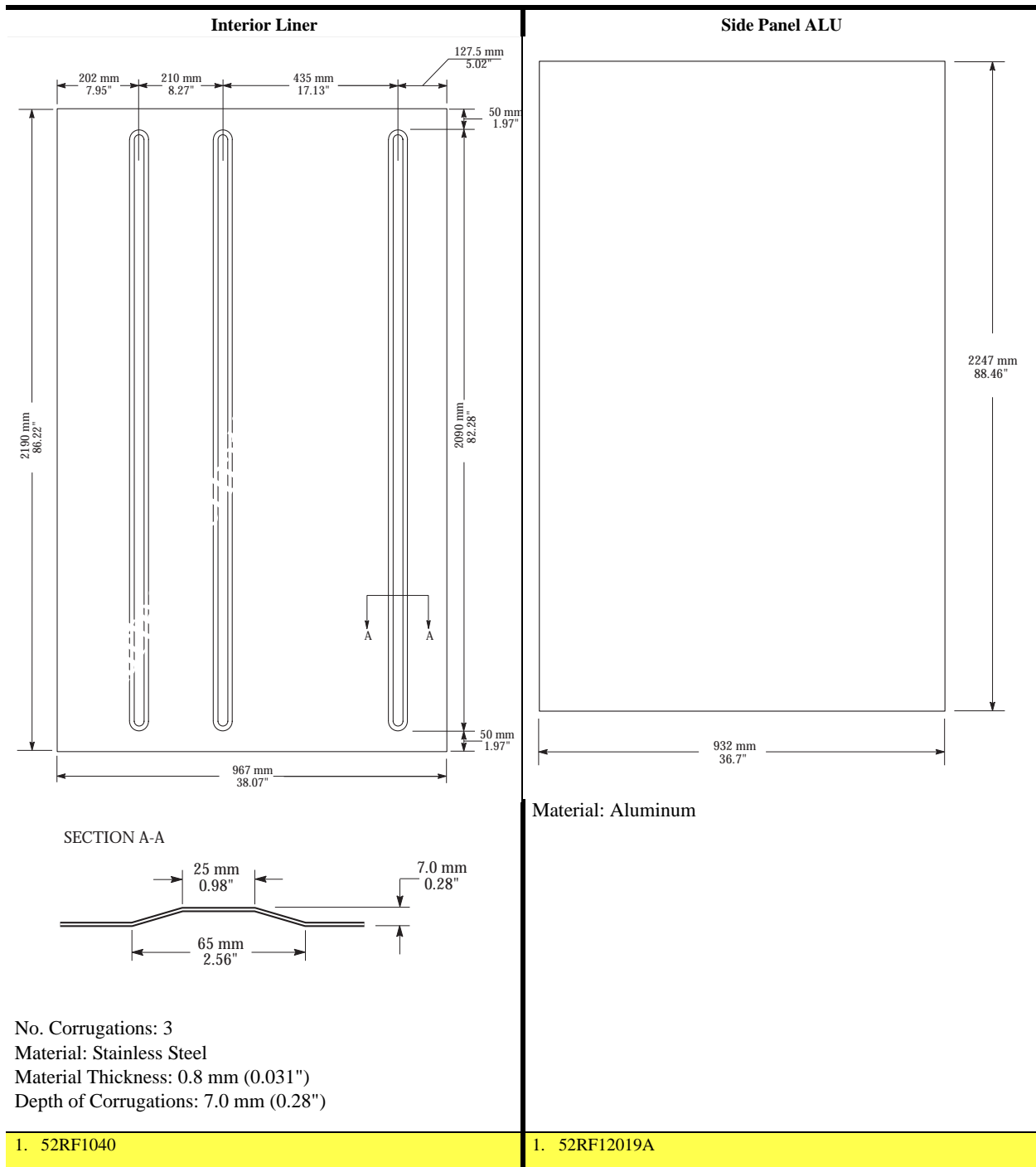
**2.3.4: REEFER PANELS**



No. Corrugations: 7  
 Material: Stainless Steel  
 Material Thickness: 0.8 mm (0.031")  
 Depth of Corrugations: 12 mm (0.47")

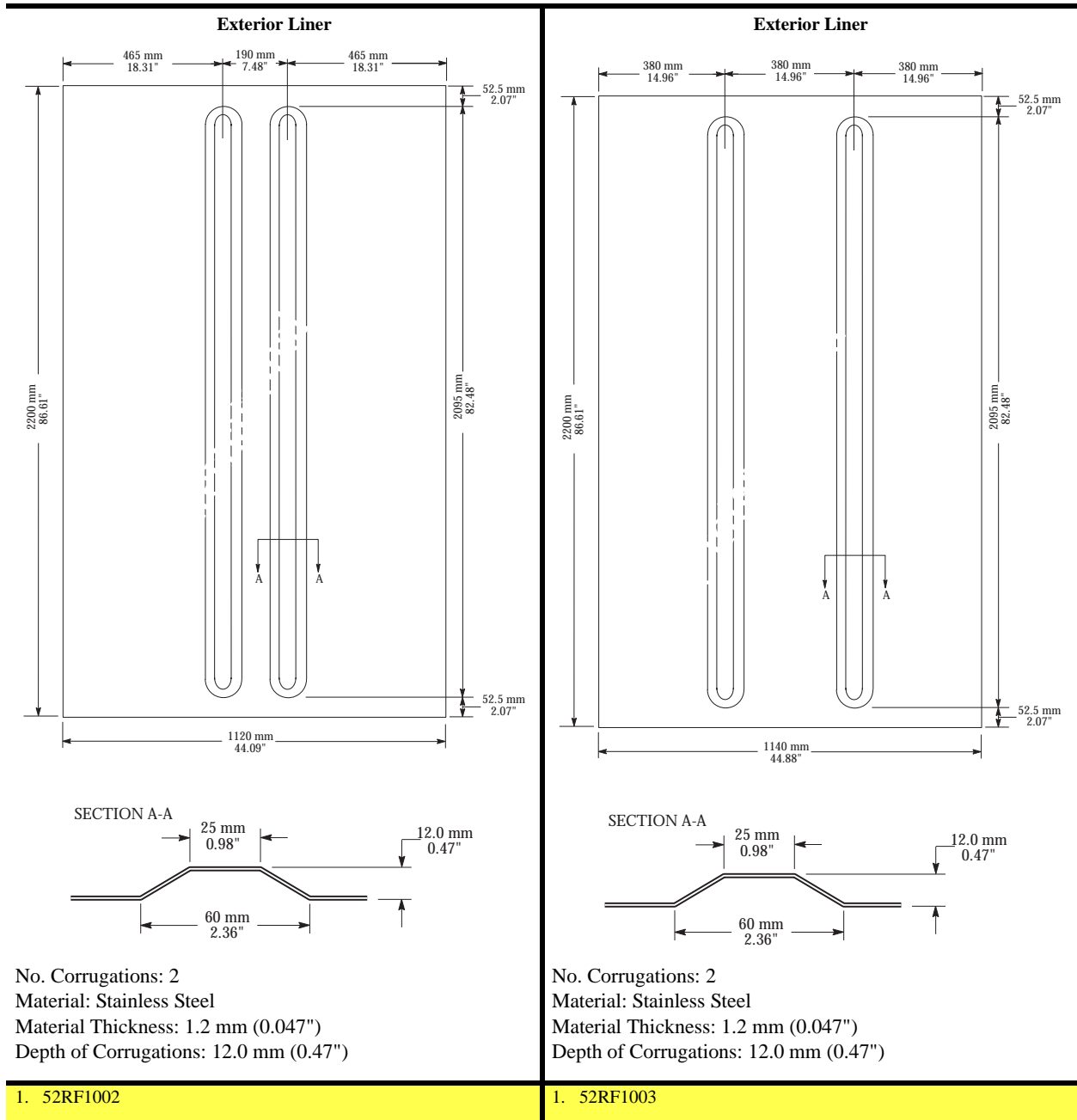
1. 52RF102291A

**2.3.4: REEFER PANELS**



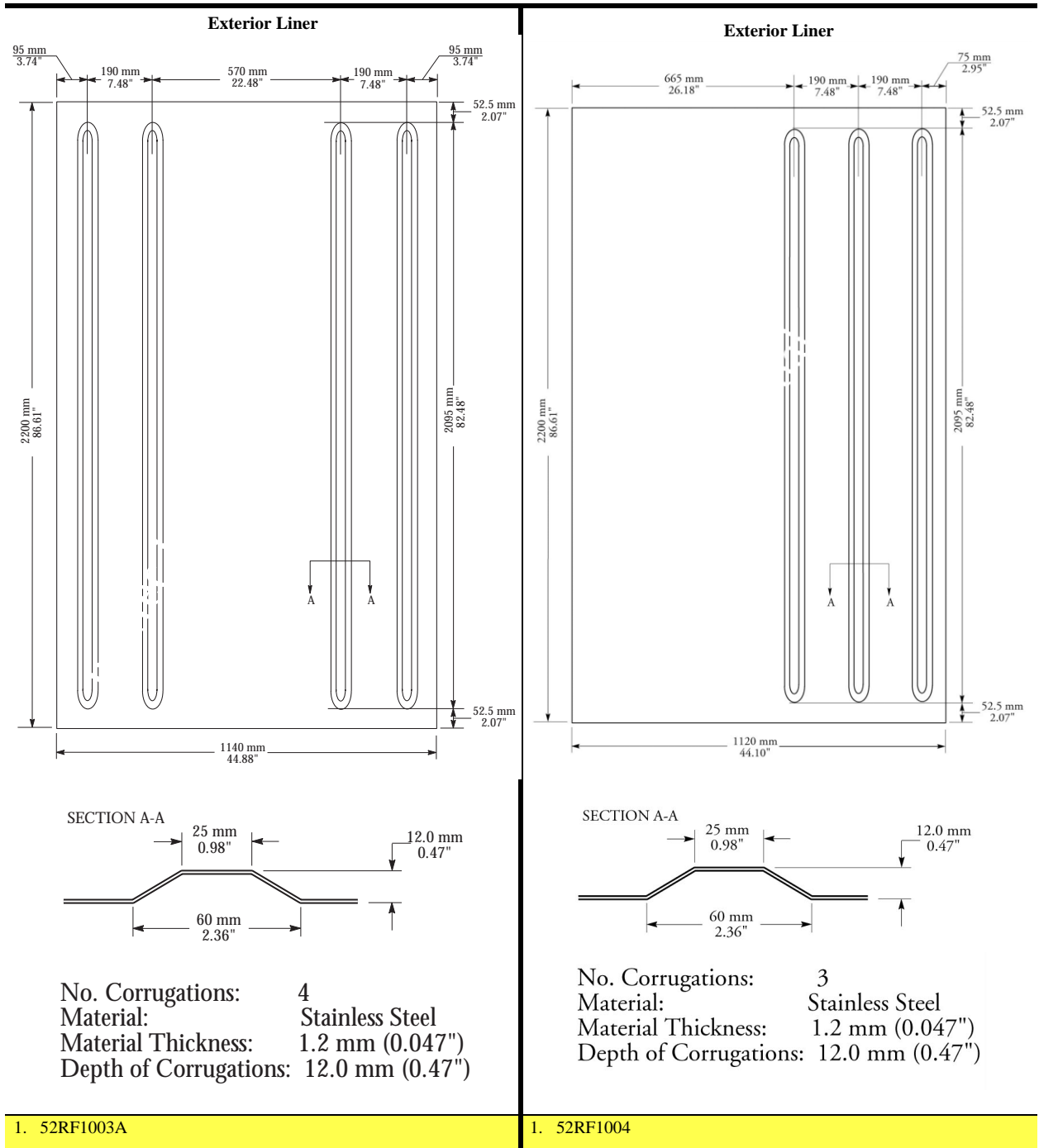
2: Body Parts

**2.3.4: REEFER PANELS**



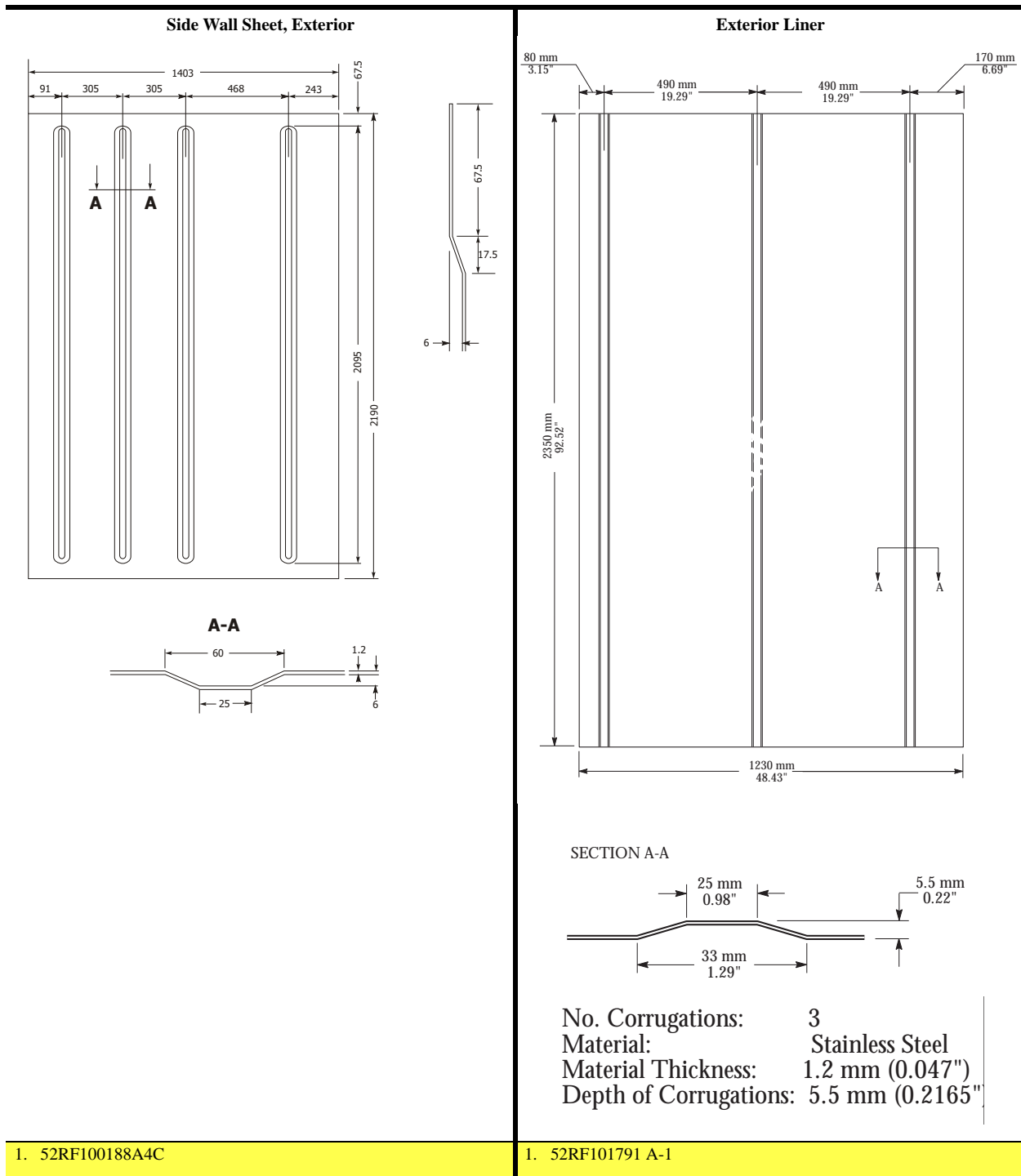


**2.3.4: REEFER PANELS**

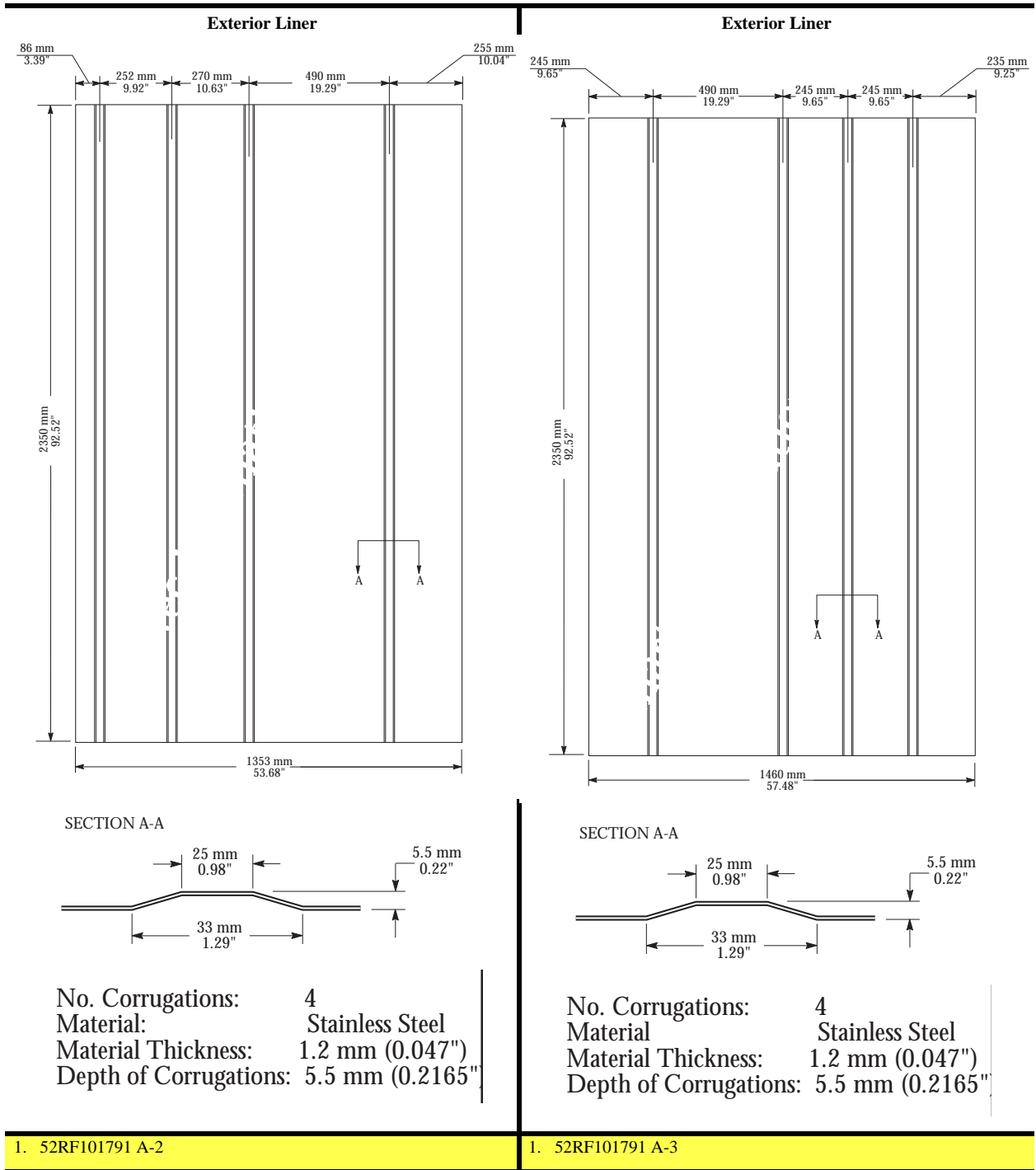


**2: Body Parts**

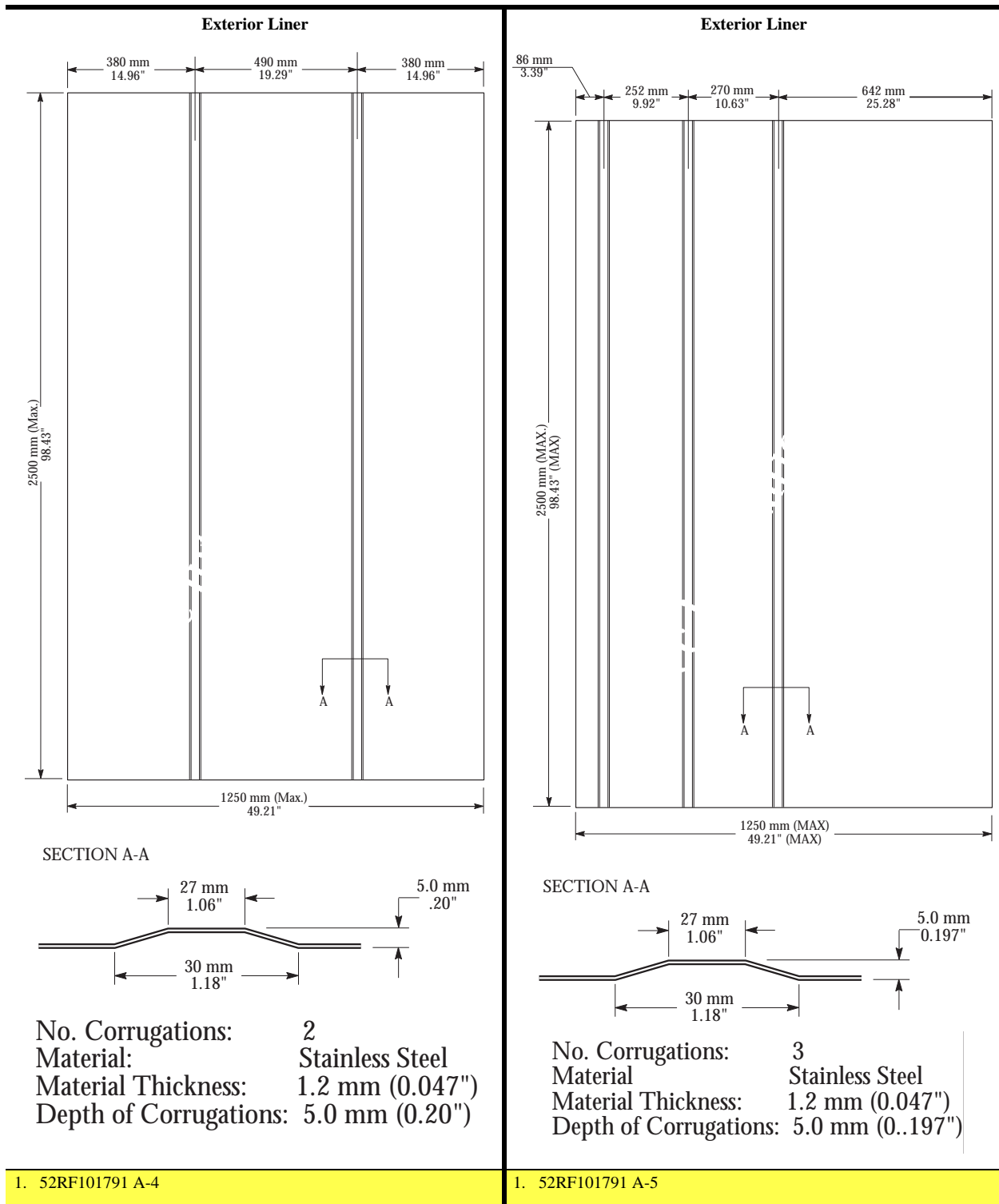
**2.3.4: REEFER PANELS**



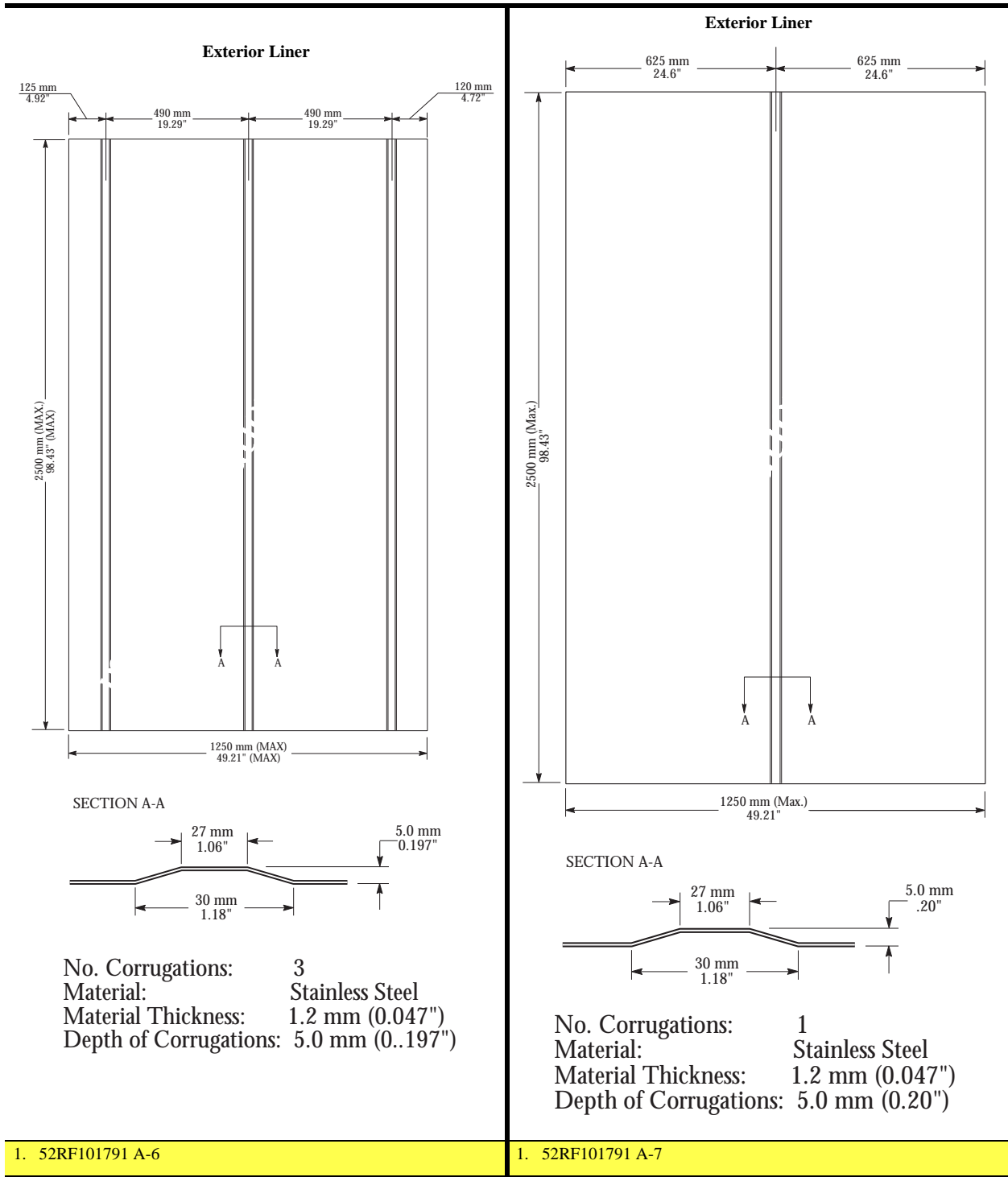
**2.3.4: REEFER PANELS**



**2.3.4: REEFER PANELS**

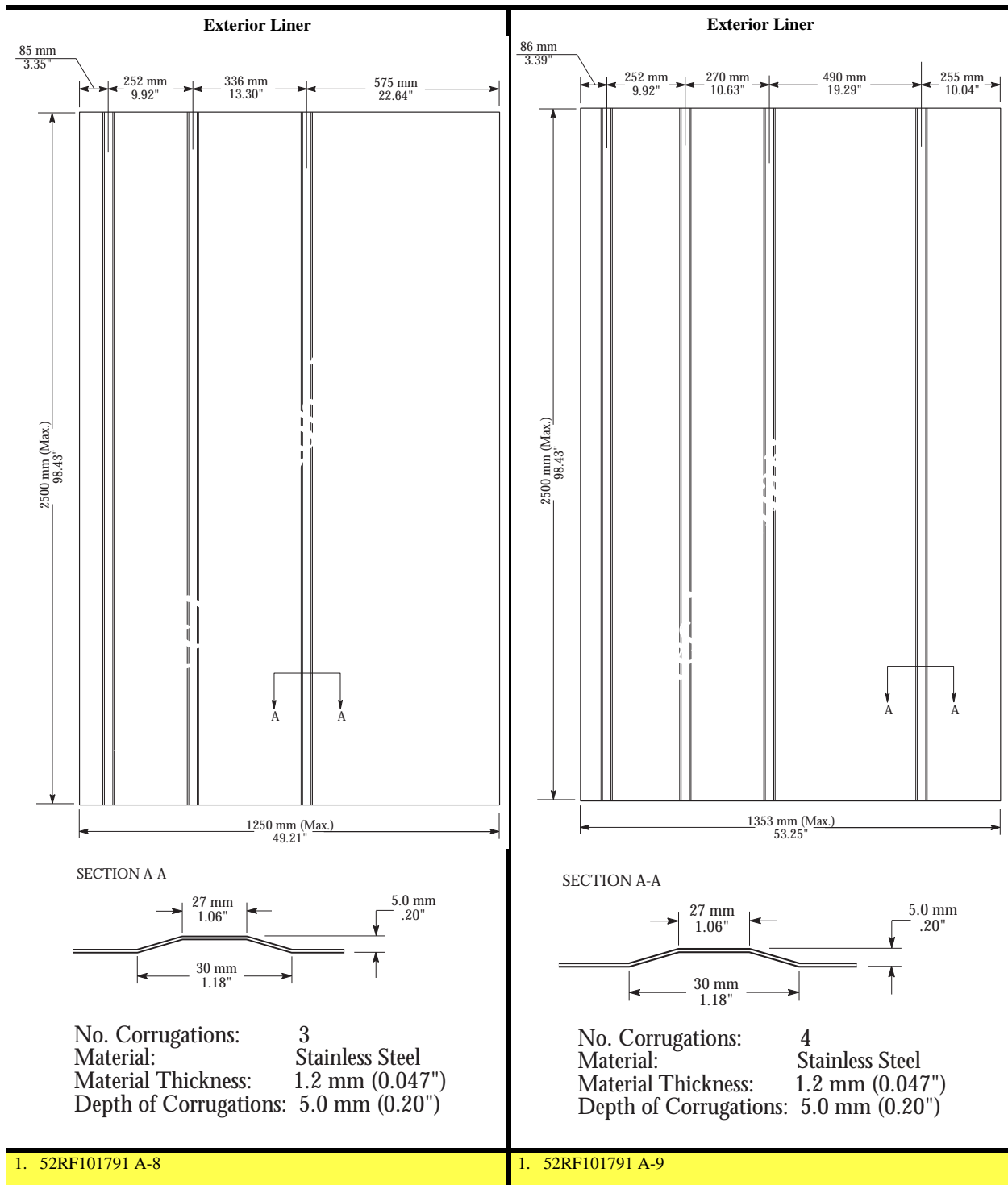


**2.3.4: REEFER PANELS**

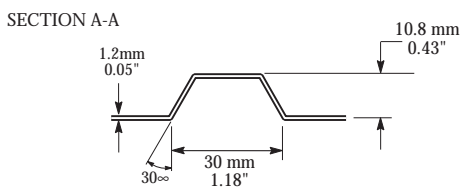
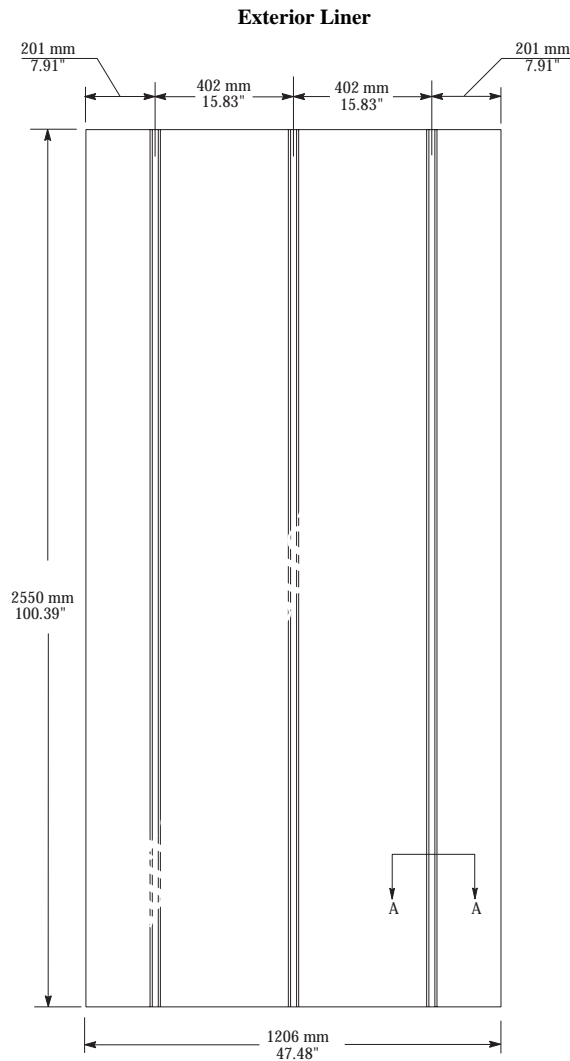


**2: Body Parts**

**2.3.4: REEFER PANELS**



**2.3.4: REEFER PANELS**



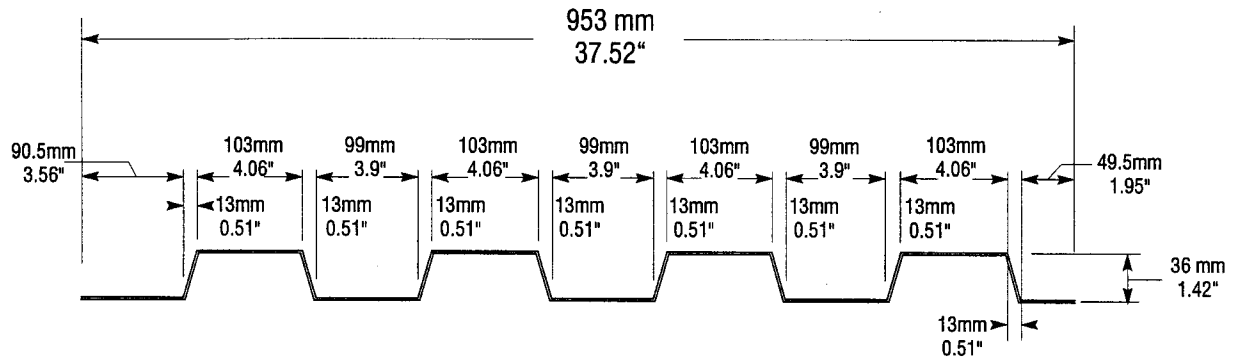
No. Corrugations: 3  
 Material: Stainless Steel  
 Material Thickness: 1.2 mm (0.05")  
 Depth of Corrugations: 10.8 mm (0.43")

1. 52RFSD0015

**2: Body Parts**

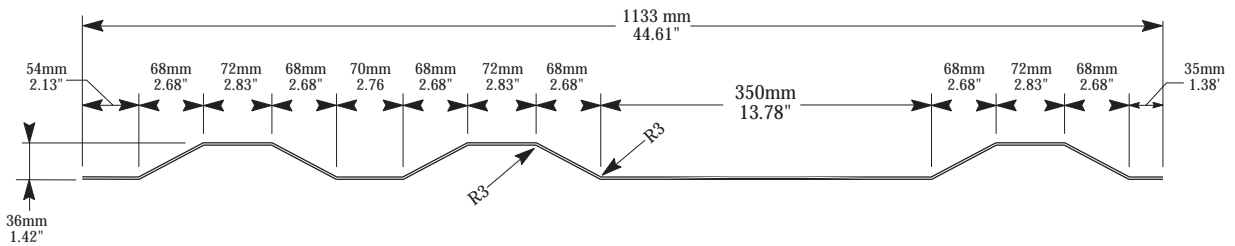
**2.3.5: PANELS/SIDE SHEETS**

**2.3.5.1: SIDE PANELS**



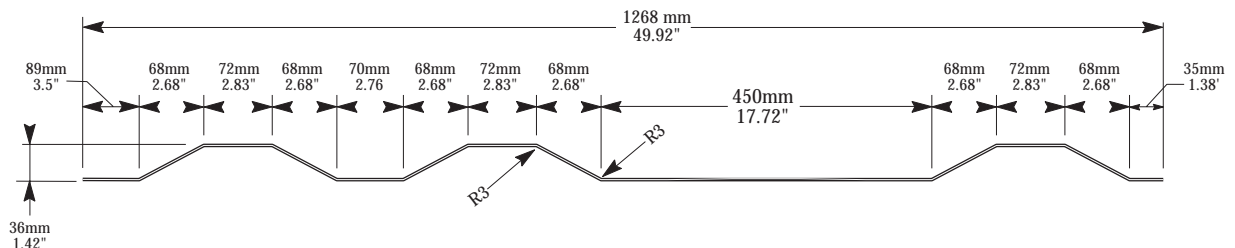
No. Corrugations: 4	Depth of Corrugations: 36mm (1.42")	Material: Corten, Primed	Length: 2,743mm (108")
---------------------	-------------------------------------	--------------------------	------------------------

**1. MTR 11C**



No. Corrugations: 3	Depth of Corrugations: 36mm (1.42")	Material: Corten, Primed	Length: 2,743mm (108")
---------------------	-------------------------------------	--------------------------	------------------------

**1. MTR 14C**

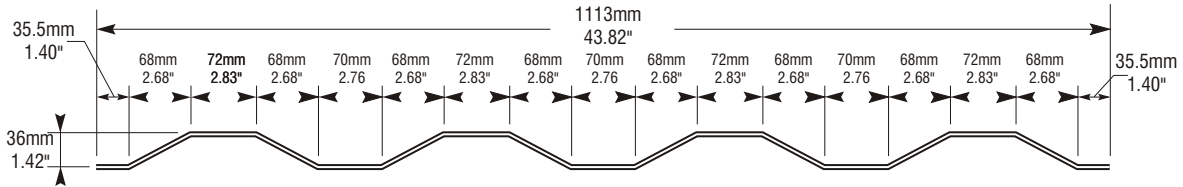


No. Corrugations: 3	Depth of Corrugations: 36mm (1.42")	Material: Corten, Primed	Length: 2,743mm (108")
---------------------	-------------------------------------	--------------------------	------------------------

**1. MTR 14AC**

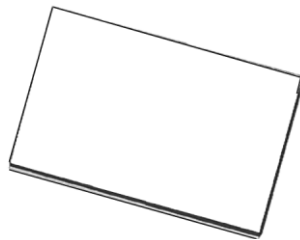


2.3.5.1: SIDE PANELS



1. 47MTR15C			
Also available in patches:			
No. Corrugations: See drawing	Depth of Corrugations: 36mm (1.42")	Material: Corten, Primed	Length: See below
1 Corrugation		2 Corrugation	
53WR112H x 6" 53WR113H x 12" 53WR114H x 18"		53WR115H x 6" 53WR116H x 12" 53WR117H x 18"	

2.3.5.2: DURAPLATE® PANELS (PNL1)



PNL1

PART NUMBER	THICKNESS	WIDTH	LENGTH	COLOR	SPECIAL CHARACTERISTICSSHI P-LAP
PNL1-16	.331"	49"	112-3/4"	WHITE	LOGISTIC
PNL1-23	.331"	48"	122"	WHITE	SHIP-LAP
PNL1-29	.331"	49"	126"	WHITE	LOGISTIC

## 2.3.5.3: .050" FLAT ALUMINUM PANELS (PNL2)

## PNL2

PART NUMBER	WIDTH	LENGTH	COLOR SIDE 1	COLOR SIDE 2	SPECIAL CHARACTERISTICS
PNL2-3	49"	108"	GRAY	WHITE	PVC COATED
PNL2-6	49"	110"	WHITE	WASH	
PNL2-7	49"	110"	WHITE	WASH	PVC COATED
PNL2-10	49"	110"	MILL FINISH	MILL FINISH	
PNL2-14	49"	120"	WHITE	WASH	
PNL2-15	49"	120"	WHITE	WASH	PVC COATED
PNL2-16	49"	120"	MILL FINISH		

## 2.3.5.4: .160" FLAT ALUMINUM PLATE PANELS (PNL4)

## PNL4

PART NUMBER	WIDTH	LENGTH	COLOR SIDE 1	COLOR SIDE 2	SPECIAL CHARACTERISTICS
PNL4-1	47"	114.62"	WHITE	ALUMINUM	
PNL4-2	48"	114.62"	WHITE	ALUMINUM	
PNL4-3	48"	114.62"	MILL FINISH	ALUMINUM	
PNL4-11	48"	129.50"	WHITE	ALUMINUM	
PNL4-17	48"	129.875"	WHITE	ALUMINUM	

## 2.3.5.5: .0262" GALVANIZED STEEL PANEL (PNL6)

## PNL6

PART NUMBER	WIDTH	LENGTH	COLOR SIDE 1	COLOR SIDE 2	SPECIAL CHARACTERISTICS
PNL6-1	49"	110"	GRAY	WHITE	

## 2.3.5.6: 3/4" THICK FRP PANEL

## FRP

PART NUMBER	WIDTH	LENGTH	COLOR SIDE 1	COLOR SIDE 2	SPECIAL CHARACTERISTICS
CRT75-3-2	8'	10'	WHITE	WHITE	White Tedlar Covered
CRT75-3-3	5'	10'	WHITE	WHITE	White Tedlar Covered

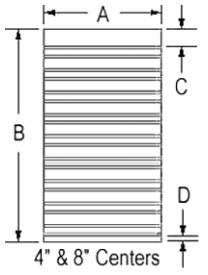
**2.3.5.7: SPECIAL ORDER PANELS (PNL99)**

PNL99

 Call your sales representative  
 for pricing on complete  
 FRP side, roof, & other special order panels

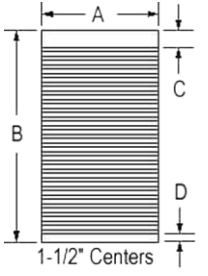
**2.3.5.8: CORRUGATED SIDE SHEETS**

2.3.5.8.1: 2" 4" &amp; 8" PATTERN

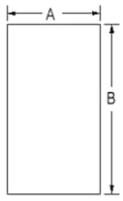


NAME	PART NUMBER	CORR	A	B	C	D	COLOR
WABASH	WAB01C00059	15	49"	106-5/8"	15/18"	7-1/2"	WHITE
UTILITY	UTI3-6001-099	15	49"	106-1/8"	17.8"	5-1/2"	WHITE
TRAILMO-BILE	TMB700-513-27-26	16	49"	107-1/2"	16"	2-1/2"	WHITE
GREAT DANE	GDA11304	15	49"	107-1/2"	18-1/4"	6.5"	WHITE
GREAT DANE	GDA11305	16	49"	107-3/8"	18-1/8"	6.5"	WHITE

## 2.3.5.8.2: FRUEHAUF 1-1/2" CORRUGATION



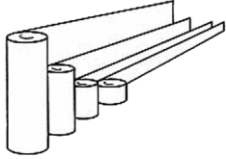
PART NUMBER	CORR	A	B	C	D	COLOR
FRUWCC8010-27G	66	49"	105-3/4"	6"	3"	.050" METALLIC GRAY
FRUWCC8010-27W	66	49"	107-1/4"	6"	3"	.050" WHITE
FRUWCF5519-W20	43	49"	98-1/4"	(ENDURO)		.040" WHITE
FRUWCF5519-W23	44	49"	101-1/4"	(ENDURO)		.040" WHITE

**2.3.5.9: FIBERGLASS PANELS**


PART NUMBER	THICKNESS	A	B	NAME
KEMAFS.74	.120"	48"	110"	Kemlite

**2.3.6: SIDE WALL SCUFF**

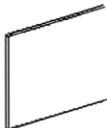
**2.3.6.1: FIBERGLASS SCUFF (SCF1)**



SCF1

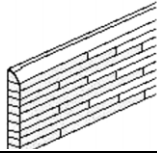
PART NUMBER	THICKNESS	HEIGHT	LENGTH
SCF1-1	.090"	12"	48'
SCF1-2	.090"	12"	53'
SCF1-3	.090"	16"	48'
SCF1-4	.090"	16"	53'
SCF1-5	.090"	18"	48'
SCF1-6	.090"	24"	48'
SCF1-7	.090"	24"	53'
SCF1-8	.090"	36"	48'
SCF1-9	.090"	48"	48'
SCF1-23	.090"	48"	53'
SCF1-24	.090"	18"	53'
SCF1-27	.090"	102"	53'
SCF1-10	.120"	12"	53'
SCF1-11	.120"	16"	48'
SCF1-12	.120"	16"	53'
SCF1-13	.120"	24"	48'
SCF1-14	.120"	24"	53'
SCF1-15	.120"	48"	48'
SCF1-26	.175"	24"	48'

**2.3.6.2: POLY SCUFF (SCF2)**



SCF2

PART NUMBER	THICKNESS	HEIGHT	LENGTH	COLOR
SCF2-2	.62"	12"	47'	WHITE
SCF2-3	.62"	12"	52'	WHITE
SCF2-4	.62"	12"	47'	BLACK
SCF2-5	.62"	12"	52'	BLACK
SCF2-15	.62"	18"	52'	BLACK

**2.3.6.3: HARDWOOD SCUFF (SCF3)**


SCF3

PART NUMBER	THICKNESS	HEIGHT	LENGTH
SCF3-2	.75"	12"	47'
SCF3-3	.75"	12"	52'
SCF3-5	1"	12"	28'
SCF3-6	1.12"	10"	8'
SCF3-9	1.31"	10.5"	8'
SCF3-10	.75"	12"	8'

**2.3.6.4: EXTRUDED ALUMINUM SCUFF (SCF4)**


TYPE 1



TYPE 2



TYPE 3

SCF4

PART NUMBER	TYPE	THICKNESS	HEIGHT	LENGTH
SCF4-1	1	.31"	12"	47'3"
SCF4-2	1	.31"	12"	52'
FRUSTK20789-47	2	.0625"	12.75"	47'
FRUSTK21565-48	3	.188"	12"	48'

2.3.6.5: CORRUGATED STEEL SCUFF (SCF5)

SCF5

PART NUMBER	WABASH OE NUMBER	FRUEHAUF OE NUMBER	WABASH NUMBER	FRUEHAUF NUMBER	DESCRIPTION
SCF5-1	AR716210		48430071		6.5" x 51'9" x 18 GA 80PSI
SCF5-2	AR726210		48430072		8" x 51'9" x 18 GA 80PSI
SCF5-3	AR746210		48430074		8.75" x 51'9" x 18 GA
SCF5-4		STK30285-X		STK030285047	47' LINER
SCF5-5		STK30285-X		STK030285052	10-1/4" x 51'3" 16 GA
SCF5-7			48430049		12" x 28'
SCF5-9			48430060		12" x 47'
SCF5-10			48430063		12" x 52'
SCF5-11			48431863	MBPSP0312053	12" x 52'6"
SCF5-12			48430099		12.75" x 26'
SCF5-13				MBPSP0312047	12-3/4" x 46'8" x 16 GA
SCF5-14	AR776210		48430077		17" x 51'9" x 18 GA 80PSI
SCF5-15		STK30245-X	48430070	STK030245047	18" x 46'7" LINER
SCF5-16			48430069		18.75" x 51'9"
STL11					11" x 51'9"

**2.3.7: PLYWOOD & DIVIDERS**

2.3.7.1: 48" X 96" PLYWOOD (WDS4)

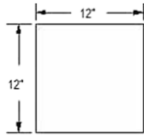
WDS4

PART NUMBER	DESCRIPTION
WDS4-8	.375" B/C Grade
WDS4-10	.750" Shop Grade

**2.3.8: PATCHES & REPAIR KITS**

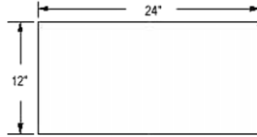
**2.3.8.1: SELF ADHEREING PATCHES**

Aluminum Patches (10)



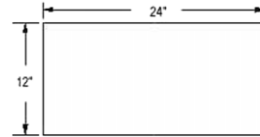
- |              |          |
|--------------|----------|
| 1. RHDV1212N | Aluminum |
| 2. RHDV1212W | White    |
| 3. RHD12X12Y | Yellow   |

Aluminum Patches (5)



- |              |          |
|--------------|----------|
| 1. RHDV1224N | Aluminum |
| 2. RHDV1224W | White    |
| 3. RHD12X24Y | Yellow   |

Clear Lexan Patches (5)



- |              |       |
|--------------|-------|
| 1. RHDV1224T | Clear |
|--------------|-------|

**2.3.8.2: FRP REPAIR KITS**

FRP Repair Kit



- |            |
|------------|
| 1. KEMRK85 |
|------------|

## 2.4 Rear Frame

	<p>Rear Frames</p> <ol style="list-style-type: none"> <li>1. Rear Posts</li> <li>2. Rear Header</li> <li>3. Rear Crossmembers/Sills</li> </ol>
--	--

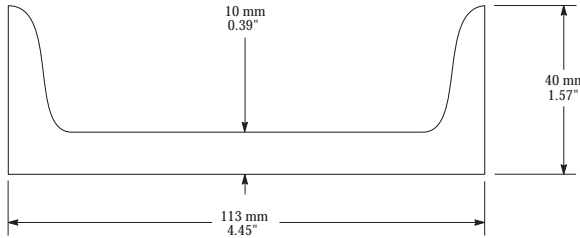
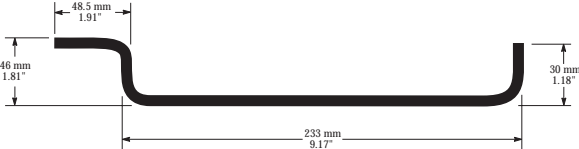
### 2.4.1: REAR FRAMES

#### 2.4.1.1: WABASH REAR POSTS & ACCESSORIES

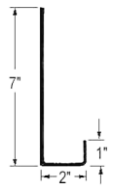
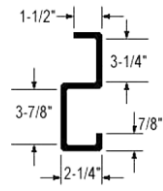
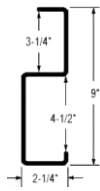
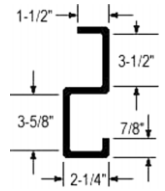
<p><b>Attachment</b></p>	<p><b>Overhead Track Protector</b></p>		
<p>120" 1. WAB05S00157</p>	<p>110" 1. WAB05S00146</p>	<p>121-1/2" 1. WAB05S00543 R/S 2. WAB05S00544 C/S</p>	<p>113-1/8" 1. WAB05S00604</p>
<p>119-5/8" 1. WAB05S00605 C/S 2. WAB05S00606 R/S</p>	<p>144" 1. WAB05S00655</p>	<p>117-1/8" 1. WAB05S01378 C/S 2. WAB05S01379 R/S</p>	<p>110-7/8" 1. WAB05S01380</p>
<p>117-3/4" 1. WAB05S03063 C/S 2. WAB05S03064 R/S</p>	<p>111-3/8" 1. WAB05S03065</p>	<p>113-1/2" 1. WAB05S06469</p>	<p>123-1/4" 1. WAB05000307 R/S 2. WAB05000308 C/S</p>
	<p><b>Track Protector</b></p>		
<p>125" 1. WAB05000943 S/S C/S 2. WAB05000944 S/S R/S</p>	<p>24" 1. WABA1000799 C/S 2. WABA1000800 R/S</p>	<p>121-3/4" 1. WAB05S02586 S/S C/S 2. WAB05S02587 S/S R/S</p>	



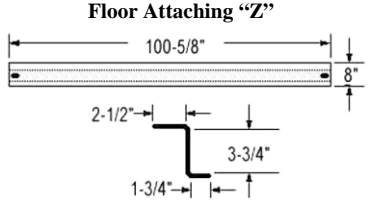
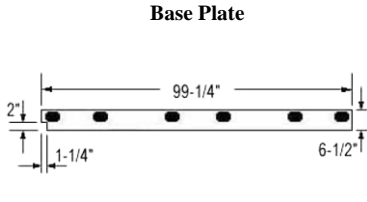
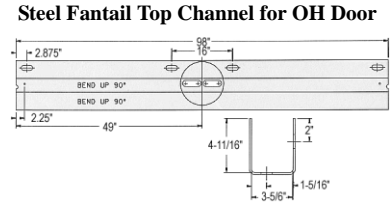
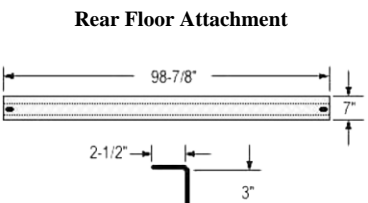
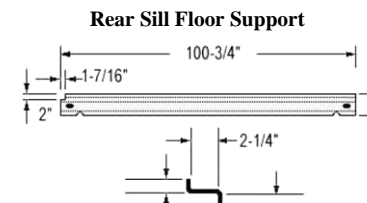
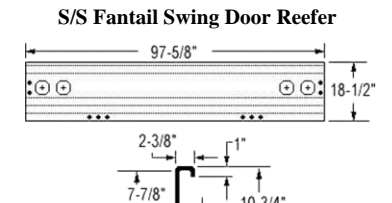
**2.4.1.2: REAR CORNER POST SET (INNER/OUTER)**

			
1. MTR 26CP	Inner	1. MTR 26CP	Outer
Material Thickness: 14 gauge (1.98mm) Material: Corten, Primed	Normal Length: 2355mm H/Cube Length: 2660mm	Material Thickness: 14 gauge (1.98mm) Material: Corten, Primed	Normal Length: 2420mm H/Cube Length: 2720mm

**2.4.2: REAR HEADERS**
**2.4.2.1: WABASH REAR HEADERS & ACCESSORIES**

							
1. WAB05S00610	93"	1. WAB05S00020 2. WAB05S00024	98" 92"	1. WAB05S00052	98"	1. WAB05S00516	93"

**2.4.3: REAR CROSSMEMBERS, SILLS, & ACCESSORIES**
**2.4.3.1: WABASH REAR CROSSMEMBERS, SILLS, & ACCESSORIES**

<b>Floor Attaching "Z"</b> 	<b>Base Plate</b> 	<b>Steel Fantail Top Channel for OH Door</b> 			
1. WAB05S00005	100-5/8"	1. WAB05S00029	99-1/4"	1. WAB05S00030	98"
<b>Rear Floor Attachment</b> 	<b>Rear Sill Floor Support</b> 	<b>S/S Fantail Swing Door Reefer</b> 			
1. WAB05S00033	98-7/8"	1. WAB05S03041	100-3/4"	1. WAB05S03054	97-5/8"

<p><b>Fantail Support Angle</b></p> <p>2" 2-1/2" 1"</p>	<p><b>Fantail Support Angle</b></p> <p>1-3/4" 3-3/4"</p>	<p><b>Fantail Base Plate</b></p> <p>98" 6-1/2"</p>
<p>1. WAB05S03179 21"</p>	<p>1. WAB05S03180 39-1/2"</p>	<p>1. WAB05S03783 98"</p>
<p><b>S/S Fantail</b></p> <p>97-5/8" 18-1/16" 1-15/16" 3/4" 8-1/8" 2-3/8" 2-1/2"</p>	<p><b>Steel Rear Fantail Top Channel</b></p> <p>41" 98" 2" 2-5/8" 2" 4-3/4" 3-5/8" BEND UP 90° BEND UP 90°</p>	<p><b>FRP Fantail</b></p> <p>101-3/4" 6-1/2" 3-3/16" 1-1/18" 6-3/8" 3" BEND DOWN 90° BEND DOWN 90°</p>
<p>1. WAB05S02592 97-5/8"</p>	<p>1. WAB05S03784 98" w/holes A 2. WAB05S00582 98" W/o holes A</p>	<p>1. WAB05S00608 101-3/4"</p>

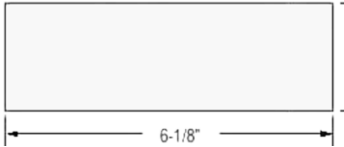
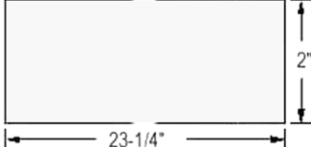
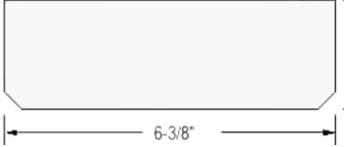
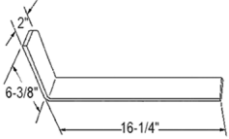

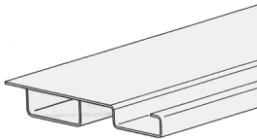
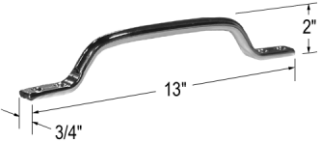
**2.4.3.2: FRUEHAUF REAR CROSSMEMBERS, SILLS, & ACCESSORIES**

<p>7" 1" 2" 3-1/2" 6-1/4" 4"</p>	<p>7" 1-1/2" 1-1/8" 3-1/4" 6" 3-1/2"</p>	<p>7" 1-1/2" 1-1/2" 2" 3-1/4" 6" 5"</p>
<p>1. FRUWCC6504-1 96"</p>	<p>1. FRUWCE7806-5 102"</p>	<p>1. FRUWCF9224-1 102"</p>
<p><b>Inner Aluminum Sill</b></p> <p>5-3/4" 1-1/4" 3/4" 1-1/4"</p>	<p><b>Rear Sill</b></p> <p>7-1/2" 3/4" 2-1/16" 1-1/4" 1-1/2"</p>	<p><b>Alum. Rear Crossmember Assembly</b></p>
<p>1. FRUSTK20270-93 93"</p>	<p>1. FRUSTK20915-97 96-3/4"</p>	<p>1. FRUTWC7391-2 95-3/8" x 12-1/2"</p>

**2.4.4: CORNER REINFORCEMENT ANGLES**

<p>1. BUYB2485AA 12" x 12"</p>	<p>1. FRUWCF9221-1 6" x 8" x 1/2"</p>	

**2.4.5: MISCELLANEOUS REAR FRAME ACCESSORIES**

<p><b>Vertical Light Protection</b></p> 	<p><b>Horizontal Light Protector</b></p> 	<p><b>Vertical S/S Light Protector</b></p> 
<p>1. MTR05S00511</p>	<p>1. MTR05S00510</p>	<p>1. MTR05S01567</p>
<p><b>S/S Light Protector</b></p> 	<p><b>Rear Bolster with Twist Lock</b></p> 	<p><b>Door Header</b></p> 
<p>1. MTR05S02590 2. MTR05S02591</p> <p>C/S R/S</p>	<p>1. STO17-03696-000-00 6-1/2" x 102"</p>	<p>1. STO24-04106-000-00 102"</p>
<p><b>Grab Handle</b></p> 		
<p>1. POL817C</p>		

## 2.5 Flooring

### 2.5.1: FLOORING

A	1 1/8" 28.58mm	1 1/8" 28.58mm	1 1/8" 28.58mm	A	1 1/8" 28.58mm	1 1/4" 31.75mm	1 3/8" 34.93mm
B	5 3/8" 136.53mm	5 3/4" 146.05mm	7" 177.80mm	B	12" 304.90mm	12" 304.80mm	12" 304.80mm
1. Apitong Board				1. Laminated Hardwood			
Length= 19'4" (5892.8 mm) and 1.25" (31.75 mm) thick Available in 13 7/8" (352.43 mm) and 20" (508 mm) width				Available in: 4' x 10'4' x 8" and 5' x 8'1 1/8" thick 1219x3028mm 1219x2438mm and 1524x2438mm 28.58mm thick			
1. Laminated Pine				1. 21-Ply Birch Plywood / 19-Ply Apitong Plywood			
All flooring is Australian/New Zealand treated							

### 2.5.2: TREATED FLOORING

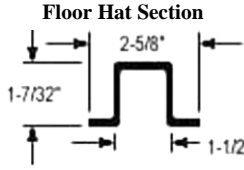
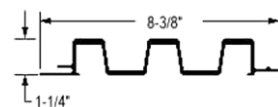
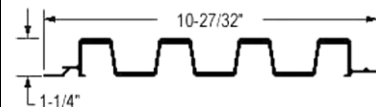
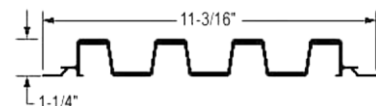
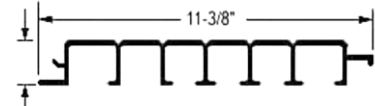
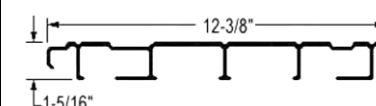
#### 19 Ply-treated Flooring (WDS4)

PART NUMBER	THICKNESS	WIDTH	LENGTH
WDS4-7	1-1/8"	48"	96"

### 2.5.3: T-FLOOR REPAIR KIT

1. 31RFTFKITT (Top)	Material: 6061-T6 Aluminum	1. 31RFTFLKITB (Bottom)	Material: 6061-T6 Aluminum

**2.5.4: FRUEHAUF ALUMINUM FLOORING & ACCESSORIES**

Floor Hat Section					
		1. FRUSTK13961-47	47'	1. FRUSTK20686-47	47'1"
		1. FRUSTK20687-47	47'1"		
					
		1. FRUSTK20688-47	47'1"	1. FRUSTK20948-43	43'4"
					
		1. FRUSTK21414-47	47'1"		

**2.5.5: LAMINATED WOOD FLOORING**
**2.5.5.1: SHIPLAP LAMINATED OAK (WDS3)**


WDS3

PART NUMBER	THICKNESS	FACE WIDTH	LENGTH	NOTES
WDS3-3	1.12"	12"	28'	
WDS3-5	1.12"	12"	47'	
WDS3-8	1.25"	12"	28'	
WDS3-10	1.25"	12"	47'	
WDS3-13	1.38"	12"	28'	
WDS3-15	1.38"	12"	47'	Undercoated
WDS3-15A	1.38"	12"	47'	Undercoated
WDS3-23A	1.12"	11"	36'	Undercoated
WDS3-24	1.12"	12"	12'	
WDS3-24B	1.12"	12"	12'	Undercoated
WDS3-25	1.25"	12"	12'	
WDS3-26	1.31"	12"	12'	
WDS3-27	1.38"	12"	12'	
WDS3-27A	1.38"	12"	12'	Undercoated
WDS3-33	1.25"	12-3/4"	12'	
WDS3-34	1.31"	12-3/4"	12'	
WDS3-37	1.12"	11"	12'	Undercoated
WDS3-41	1.38"	12"	52'	
WDS3-49	1.38"	12"	47'	Undercoated

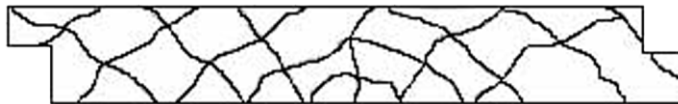
2.5.5.2: FLOOR RESTORE KITS & ACCESSORIES

# KEY POLYMER

<p><b>Clear Floor Restore:</b> lightweight, flexible epoxy system that fills gouges, small cracks, delaminations and water proofs the entire floor.</p>		<p><b>Key Guard Floor Restore:</b> specifically formulated to prolong the life of new wooden trailer floors which will be exposed to battery acid and other corrosive elements.</p>
<p>1. KEYEC1055ABSF 2. KEYEC53AB</p>	<p>48' Kit 53' Kit</p>	<p>1. KEY87-117AB</p>
<p><b>Crack Filler</b> Fill in deep gouges &amp; cracks before applying floor restore kit.</p>	<p><b>Slip Stop Additive</b> Added to floor kits to help make floors non-skid.</p>	<p><b>FRP Filler</b> Repair gouges and cracks in your FRP panels.</p>
<p>1. KEYFP100AB</p>	<p>1. KEYSS200</p>	<p>1. KEYQP300</p>

## 2.5.6: SHIPLAP APITONG WOOD FLOORING

### 2.5.6.1: SHIPLAP APITONG (WDS1)



WDS1

PART NUMBER	THICKNESS	FACE WIDTH	LENGTH
WDS1-1	1.12"	5"	RANDOM
WDS1-2	1.12"	7"	RANDOM
WDS1-3	1.38"	5"	RANDOM
WDS1-4	1.38"	7"	RANDOM

## 2.6 Upper Subframe Assembly

### 2.6.1: CROSSMEMBERS AND ACCESSORIES

#### 2.6.1.1: WABASH CROSSMEMBERS WITH CLIPS

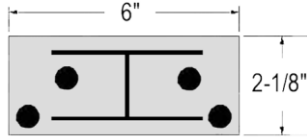
<p>4" Steel Crossmember with Clip</p>	<p>4" Aluminum Crossmember with Clip</p>	<p>4" Steel Crossmember with Clip</p>
<p>1. WAB02000010      4"</p>	<p>1. WAB02000325      101-5/8"</p>	<p>1. WAB02000393      99-3/4"</p>
<p>3" Steel I-Beam with Clips</p>		
<p>1. WAB02300187      99-3/4"</p>		

#### 2.6.1.2: FRUEHAUF CROSSMEMBERS WITH CLIPS

<p>Old Style 311</p>		<p>New Style 411</p>	
<p>1. FRUFCE4008-3      3" x 98-5/8"                  2. FRUFCE4008-4      3" x 101-3/8"                  3. FRUFCE7662-1      4" x 92-5/8"                  4. FRUFCE7662-3      4" x 95-3/8"                  5. FRUFCE7662-7      4" x 101-3/8"</p>	<p>1. FRUFCE5116-4      3" x 101-3/8"                  2. FRUFCE5117-3      4" x 95-3/8"                  3. FRUFCE5117-5      4" x 98-5/8"                  4. FRUFCE5117-7      4" x 101-3/8"</p>		
<p>2-1/4" Steel Crossmember with Clips</p>	<p>4" Steel Crossmember</p>	<p>3" Steel Crossmember</p>	
<p>1. FRUFCE9471-1      101.38"</p>	<p>1. FRUXAS1000-3      101.38"</p>	<p>1. FRUXAS1000-5      101.38"</p>	

2.6.1.3: OTHER MANUFACTURER'S CROSSMEMBERS WITH CLIPS

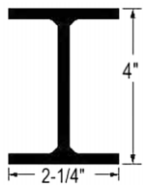
STOUGHTON 2'' Steel I-Beam with Clip



- |                       |      |
|-----------------------|------|
| 1. STO17-04114-000-01 | 101" |
|-----------------------|------|

2.6.1.4: CROSSMEMBERS WITHOUT CLIPS

4'' Steel HD Beam



- |                    |      |
|--------------------|------|
| 1. FRUSTK28658-102 | 102" |
|--------------------|------|

5'' Aluminum Beam



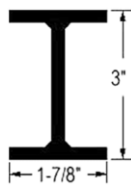
- |                |         |
|----------------|---------|
| 1. MTRE8950992 | 99.125" |
|----------------|---------|

5'' Steel Beam



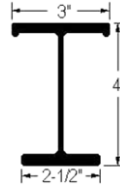
- |                  |     |
|------------------|-----|
| 1. FRUFXA0761-SP | 40" |
|------------------|-----|

3'' Steel Beam



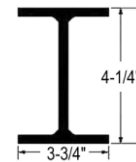
- |                    |               |
|--------------------|---------------|
| 1. STLMBPBEAMST300 | 3" x 102"     |
| 2. STL27570300     | 3" x 101-1/2" |
| 3. STLMBPBEAMST3UP | 3" x 102"     |

4'' Aluminum Beams



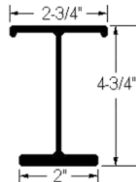
- |           |              |
|-----------|--------------|
| 1. ALU2-2 | 4" x 101.12" |
| 2. ALU2-3 | 4" x 102"    |

4.25'' Aluminum Beams



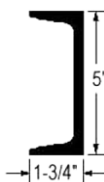
- |           |             |
|-----------|-------------|
| 1. ALU2-4 | 4.25" x 95" |
|-----------|-------------|

4.88'' Aluminum Beams



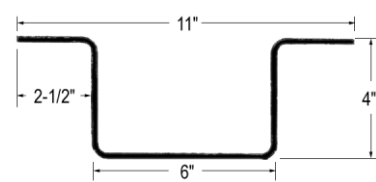
- |           |              |
|-----------|--------------|
| 1. ALU2-5 | 4.88" x 95"  |
| 2. ALU2-6 | 4.88" x 102" |

5'' Steel Beam



- |                  |     |
|------------------|-----|
| 1. FRUFXA0761-SP | 40" |
|------------------|-----|

PINES 11'' Crossmember



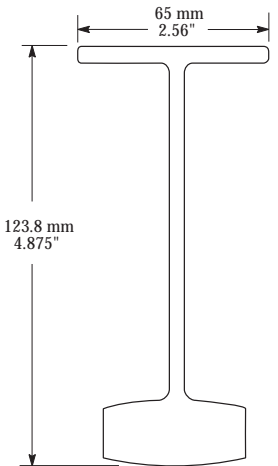
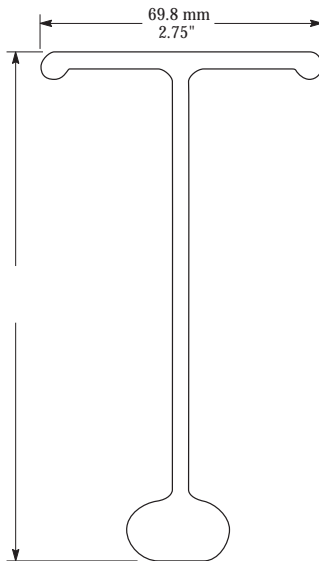
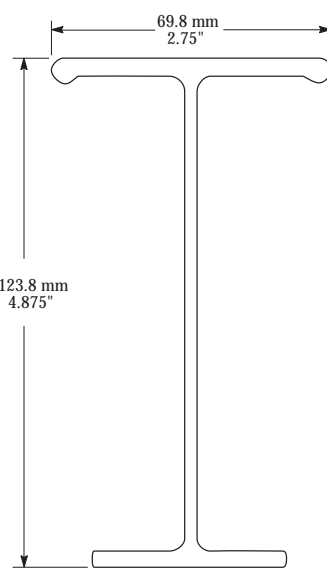
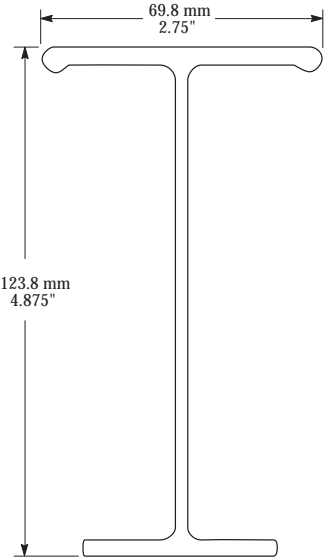
- |               |         |
|---------------|---------|
| 1. PNECMB9724 | 100.38" |
|---------------|---------|



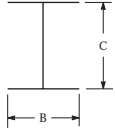
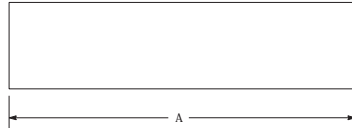
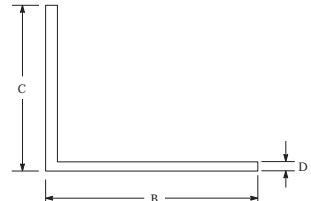
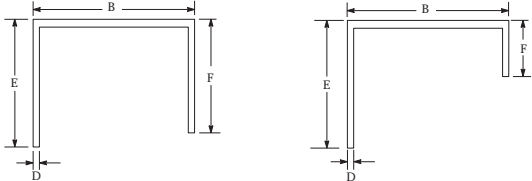
2.6.1.5: OTHER CROSSMEMBERS

<p>1. 47MTR04532CMC Material: 10 Gauge Corten Steel</p>	<p>1. 47MTR045CMC Material: 10 Gauge Corten Steel</p>	<p>1. 47MTR04532CMC7G Material: 7 Gauge Corten Steel</p>
<p>1. 47MTR045CMC7G Material: 7 Gauge Corten Steel</p>	<p>1. 31RFHDXM400 Material: 6061-T6 Aluminum Length: 96"</p>	<p>1. 31RFXM400 Material: 6061-T6 Aluminum Length: 96"</p>

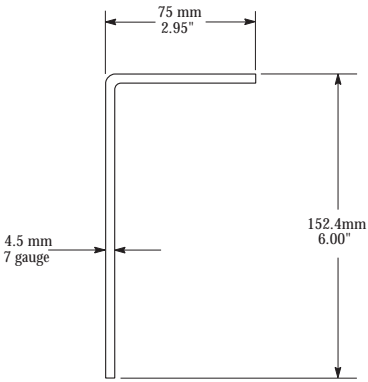
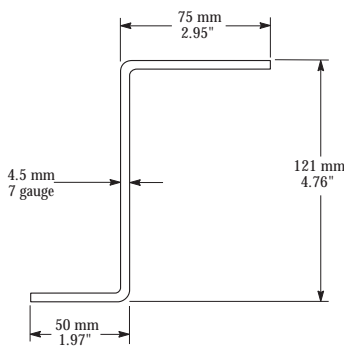
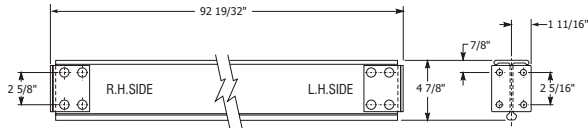
2.6.1.5: OTHER CROSSMEMBERS

		
<p>1. 31RFXM478 Material: 6061-T6 Aluminum Length: 96"</p>	<p>1. 31RFHDXM478 Material: 6061-T6 Aluminum Length: 96"</p>	<p>1. 31RFC810496 Material: 6061-T6 Aluminum Length: 96"</p>
		
<p>1. 31RFC8104102 Material: 6061-T6 Aluminum Length: 102"</p>		

**2.6.1.6: I-BEAMS, ANGLES, CROSSMEMBERS**

 	
<p>1. I-Beam</p>	<p>1. Angles</p>
	<p>We stock a wide variety of all fabricated parts. Please do not hesitate to ask for any size.</p>
<p>1. Crossmembers</p>	

**2.6.1.7: INSERTS, Z-MEMBERS, AND CROSSMEMBER ASSEMBLIES**

	
<p>1. MTR 31CP Insert Material: Corten Steel</p>	<p>1. MTR 32CP Z-Member Material: Corten Steel</p>
	
<p>1. 31RF0806274 Crossmember Assembly</p>	

2.6.1.8: CROSSMEMBER CLIPS

<p><b>3" Steel End Clip</b></p>	<p><b>Steel End Clip</b></p>	<p><b>4" Steel End Clip</b></p>
<p>1. FRUFCE4006-1</p>	<p>1. MTR02S00002      A = 4-15/16" 2. MTR02S00003      A = 3-15/16"</p>	<p>1. FRUFCE2576-2</p>
<p><b>4" Steel End Clip</b></p>	<p><b>Universal Steel End Clip</b></p>	<p><b>4" Aluminum T End Clip</b></p>
<p>1. PEN70-04</p>	<p>1. STL1-11      10 ga. 4" x 5" 2. STL1-12      10 ga. 4" x 4"</p>	<p>1. FRUSTK21439-4</p>
<p><b>4" Aluminum T End Clip</b></p>	<p><b>4-7/8" Aluminum T End Clip</b></p>	<p><b>4" Aluminum T End Clip'</b></p>
<p>1. ALU27570224</p>	<p>1. ALU27570225</p>	<p>1. MTR02A00003</p>

2.6.1.9: CROSSMEMBER BOLT KITS

<p>1. FRUZCF3435-901 2. BLT60759950</p>	<p>Kit Economy Kit</p>

2.6.1.10: CROSSMEMBER RUBBER GROMMETS

<p>1. FRU674731</p>	<p>1. WAB21300007</p>	

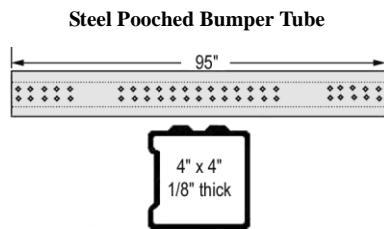
## 2.7 Rear Impact Guards & Components

Motor carries must maintain Rear Impact Guards according to the Federal Motor Carriers Safety Administration regulation 393.86 <http://www.fmcsa.dot.gov/rulesregs/fmcsr/regs/39386.htm>

Trailers built since January 26, 1998 have rear impact guards that meet the performance requirements of 393.86(a). In order to stay in compliance with 393.86(a), we recommend that these trailers rear impact guards be repaired with original replacement parts installed in the same way as originally built.

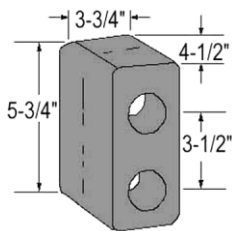
Trailers built prior to January 26, 1998 must comply with the dimensional requirements in 393.86(b). These trailers can be repaired in the same way as originally built or they can be repaired with newer style rear impact guards that comply with 393.86(a). If a rear impact guard complies with 393.86(a), then it automatically complies with 393.86(b).

### 2.7.1: BINKLEY REAR IMPACT GUARDS & ACCESSORIES

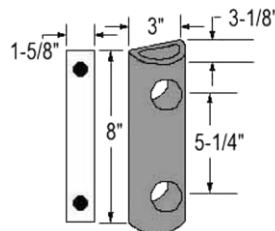


1. BINTB-0273-07U8N001

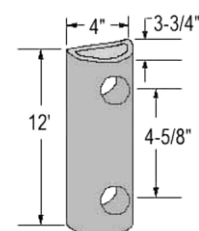
### 2.7.2: RUBBER BUMPERS



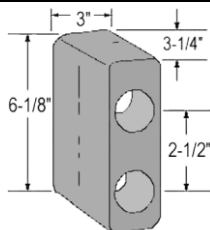
1. MTR21400098



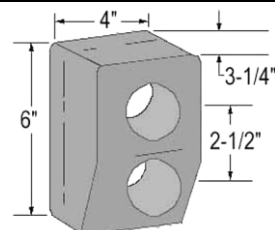
1. MTR21400106



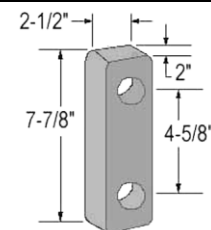
1. GLOD-4



1. MTR30037



1. MTR30038  
2. MSPT-43



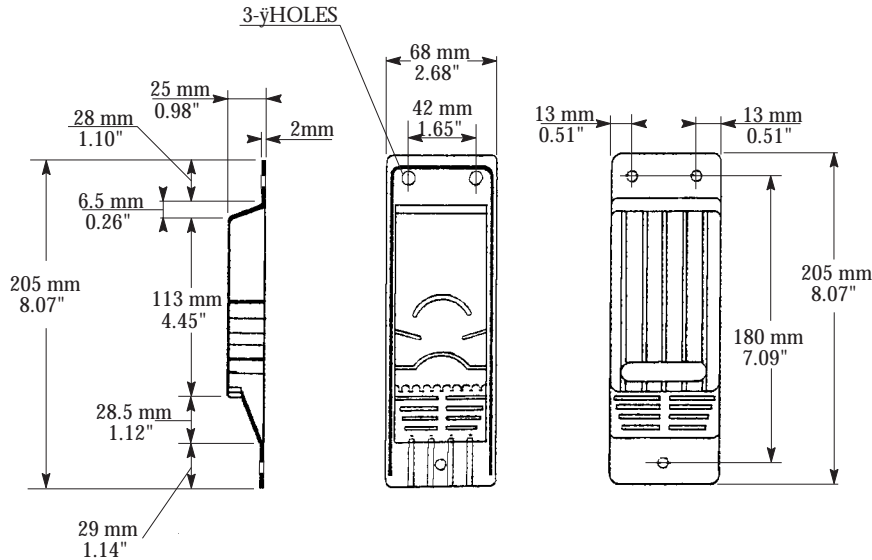
1. MTR30039  
2. MSPT-42

<p>1. MTR30067 2. FRU282551</p>	<p>1. FRUWCD3711-1</p>	<p>1. FRUXCF9657-1</p>
		<p>The kit consists of: 2 TRA30044 2-hole dock bumpers 4 Hex bolts 4 Washers 4 Hex nuts with nylon inserts</p>
<p>1. FRUWCA0015</p>	<p>1. FRUXCF9659-1 2. TRA30044</p>	<p>1. TRA30044KIT</p>
<p>1. TRA30045</p>	<p>1. FRUXUB7259</p>	<p>1. STO04-86278-000-00 Stoughton</p>

2.7.3: CONTAINER VENTS

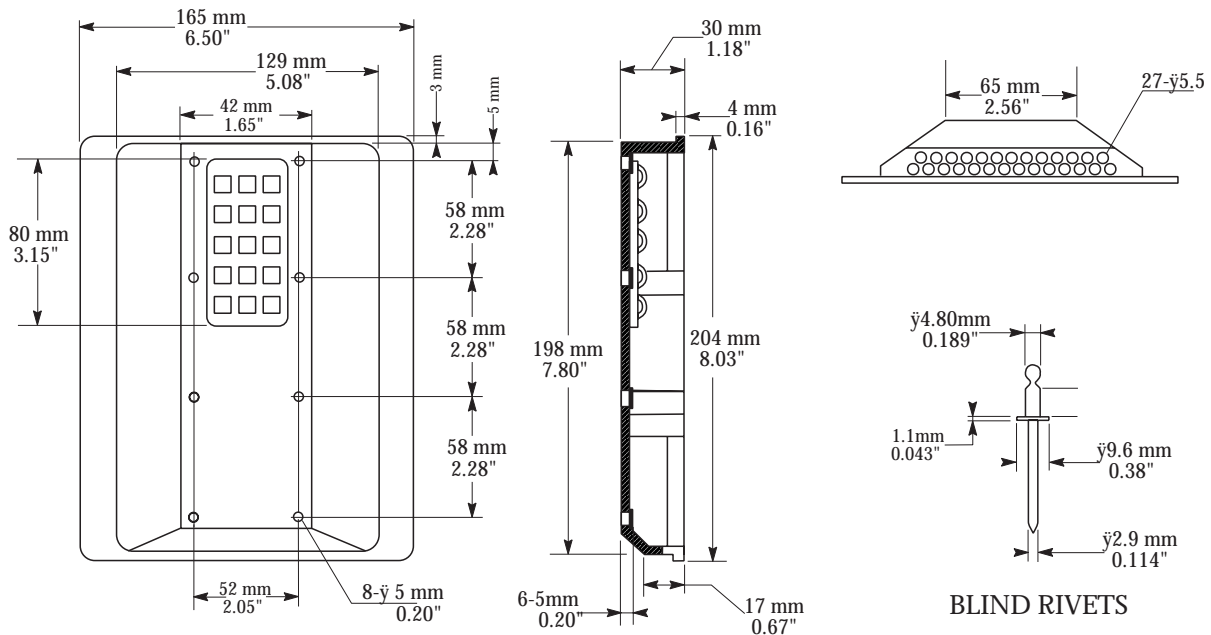
<p>1. CV-102 Normal Static Vent</p>

**2.7.3: CONTAINER VENTS**



**1. CV-103 Normal Static Vent**

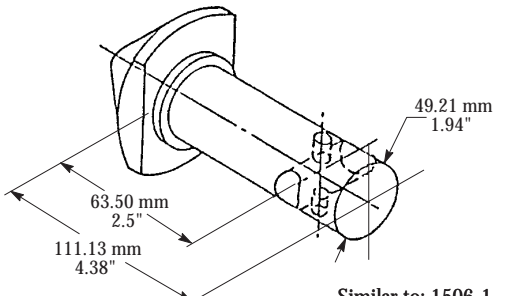
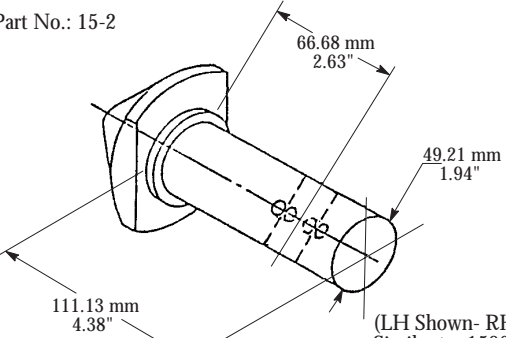
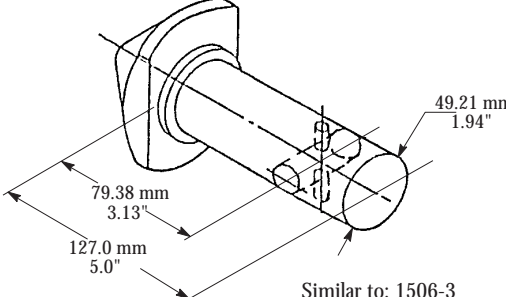
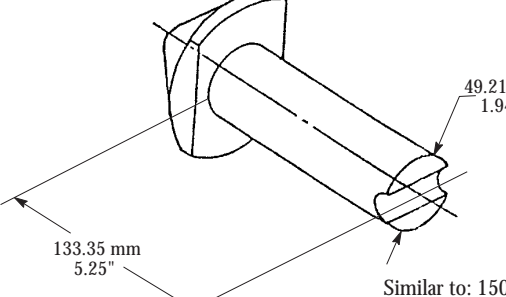
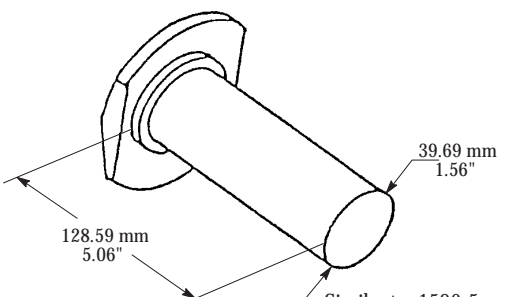
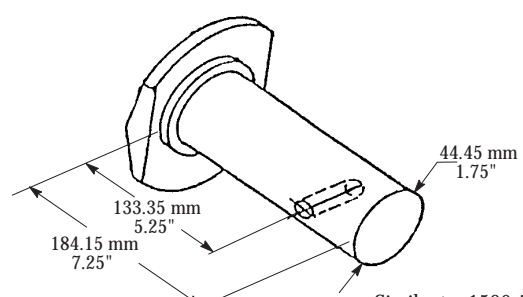
Item	At 2 Pieces		At 4 Pieces	
	CAPA (m3/hr)	Full Cir Hr (20 ft)	CAPA (m3/hr)	Full Cir Hr (20 ft)
CV-102	13.65	1.83	27.42	0.91
CV-103	7.58	3.30	14.42	1.73



**1. M-Type Vent**

## 2.8 Twist Locks & Accessories

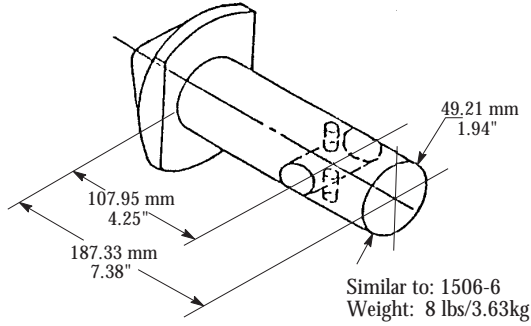
### 2.8.1: CHASSIS TWISTLOCK PINS

<p>Part No.: 15-1</p>  <p>Similar to: 1506-1 Weight: 7 lbs/3.18kg</p>	<p>Part No.: 15-2</p>  <p>(LH Shown- RH Opp.) Similar to: 1506-2 Weight: 5.75 lbs/2.61kg</p>
<p>1. 15-1</p>	<p>1. 15-2</p>
<p>Part No.: 15-3</p>  <p>Similar to: 1506-3 Weight: 6.75 lbs/3.06kg</p>	<p>Part No.: 15-4</p>  <p>Similar to: 1506-4 Weight: 7 lbs/3.18kg</p>
<p>1. 15-3</p>	<p>1. 15-4</p>
<p>Part No.: 15-5-A</p>  <p>Similar to: 1506-5 Weight: 4.25 lbs/1.93kg</p>	<p>Part No.: 15-5-B</p>  <p>Similar to: 1506-5-200 Weight: 8 lbs/3.63kg</p>
<p>1. 15-5-A</p>	<p>1. 15-5-B</p>



**2.8.1: CHASSIS TWISTLOCK PINS**

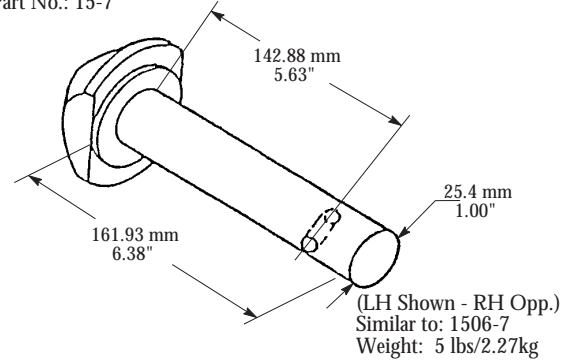
Part No.: 15-6



Similar to: 1506-6  
Weight: 8 lbs/3.63kg

1. 15-6

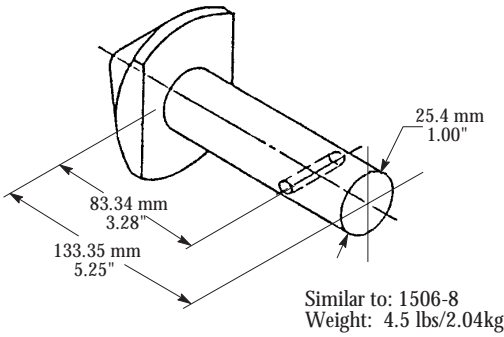
Part No.: 15-7



(LH Shown - RH Opp.)  
Similar to: 1506-7  
Weight: 5 lbs/2.27kg

1. 15-7

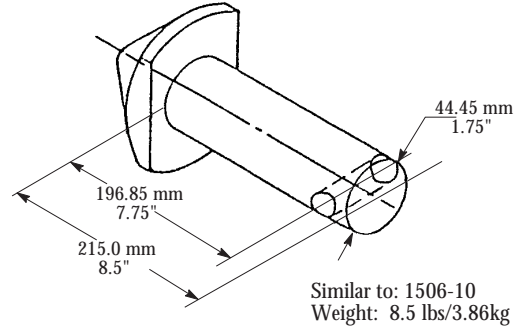
Part No.: 15-8



Similar to: 1506-8  
Weight: 4.5 lbs/2.04kg

1. 15-8

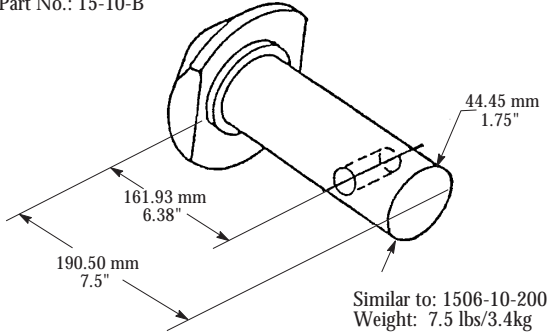
Part No.: 15-10-A



Similar to: 1506-10  
Weight: 8.5 lbs/3.86kg

1. 15-10-A

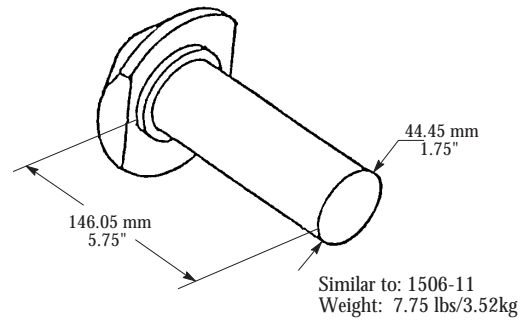
Part No.: 15-10-B



Similar to: 1506-10-200  
Weight: 7.5 lbs/3.4kg

1. 15-10-B

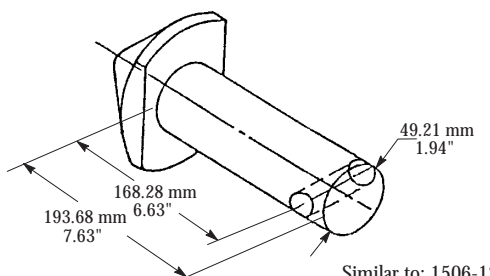
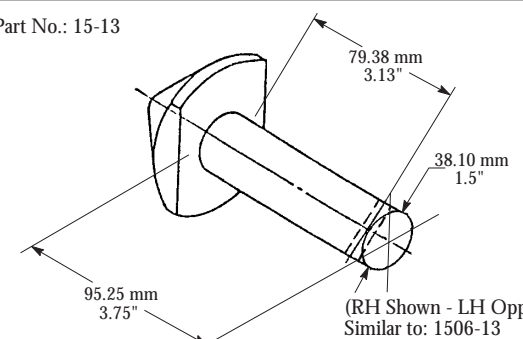
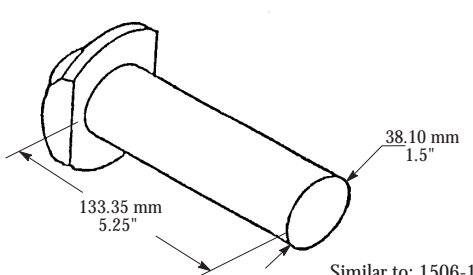
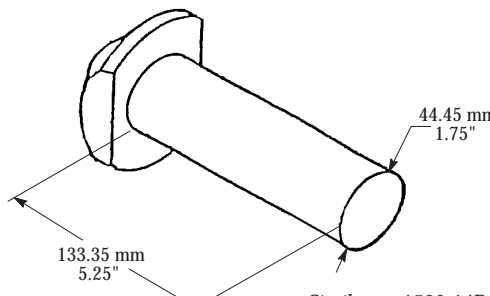
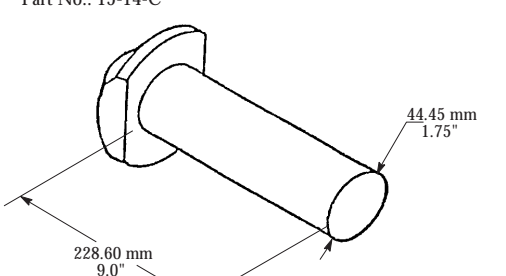
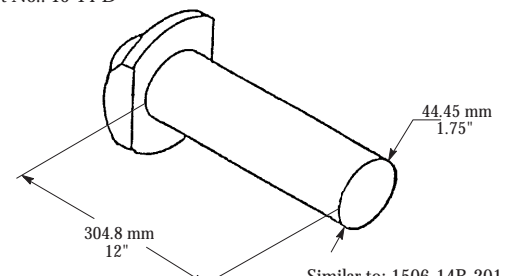
Part No.: 15-11



Similar to: 1506-11  
Weight: 7.75 lbs/3.52kg

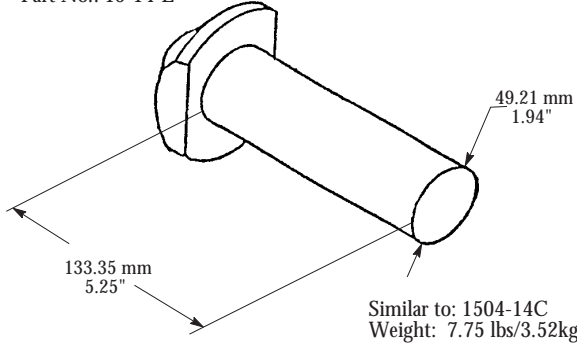
1. 15-11

**2.8.1: CHASSIS TWISTLOCK PINS**

<p>Part No.: 15-12</p>  <p>Similar to: 1506-12 Weight: 7.25 lbs/3.29kg</p>	<p>Part No.: 15-13</p>  <p>(RH Shown - LH Opp.) Similar to: 1506-13 Weight: 4.5 lbs/2.04kg</p>
<p>1. 15-12</p>	<p>1. 15-13</p>
<p>Part No.: 15-14-A</p>  <p>Similar to: 1506-14A Weight: 5 lbs/2.27kg</p>	<p>Part No.: 15-14-B</p>  <p>Similar to: 1506-14B Weight: 7.5 lbs/3.40kg</p>
<p>1. 15-14-A</p>	<p>1. 15-14-B</p>
<p>Part No.: 15-14-C</p>  <p>Similar to: 1506-14B-200 Weight: 8.25 lbs/3.74kg</p>	<p>Part No.: 15-14-D</p>  <p>Similar to: 1506-14B-201 Weight: 9.5 lbs/4.31kg</p>
<p>1. 15-14-C</p>	<p>1. 15-14-D</p>

**2.8.1: CHASSIS TWISTLOCK PINS**

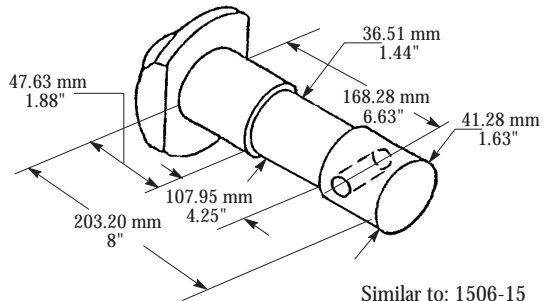
Part No.: 15-14-E



Similar to: 1504-14C  
Weight: 7.75 lbs/3.52kg

1. 15-14-E

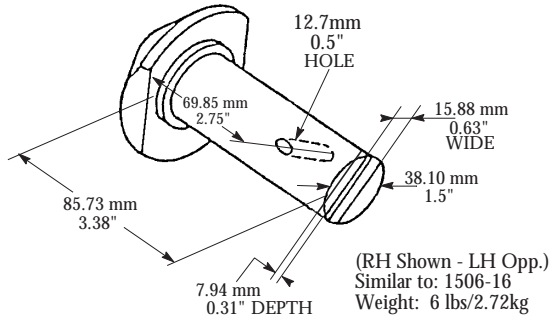
Part No.: 15-15



Similar to: 1506-15  
Weight: 8.25 lbs/3.74kg

1. 15-15

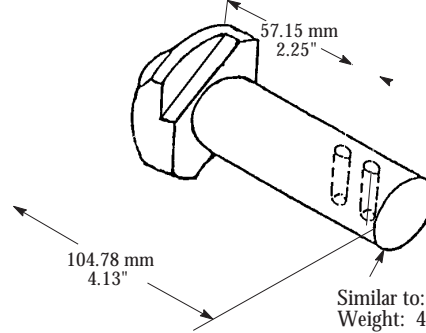
Part No.: 15-16



(RH Shown - LH Opp.)  
Similar to: 1506-16  
Weight: 6 lbs/2.72kg

1. 15-16

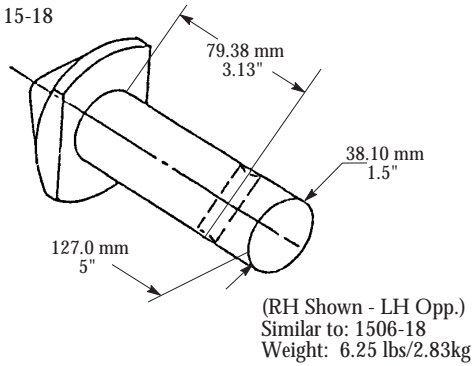
Part No.: 15-17



Similar to: 1506-17  
Weight: 4.75 lbs/2.04kg

1. 15-17

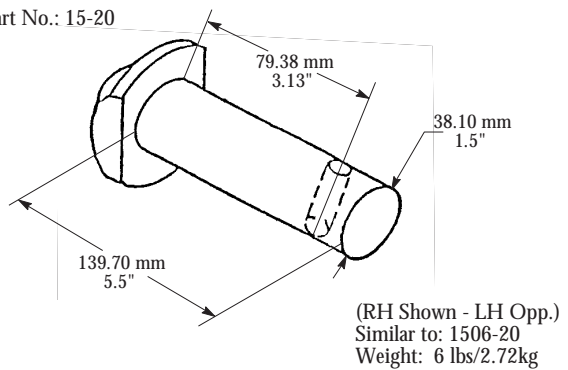
Part No.: 15-18



(RH Shown - LH Opp.)  
Similar to: 1506-18  
Weight: 6.25 lbs/2.83kg

1. 15-18

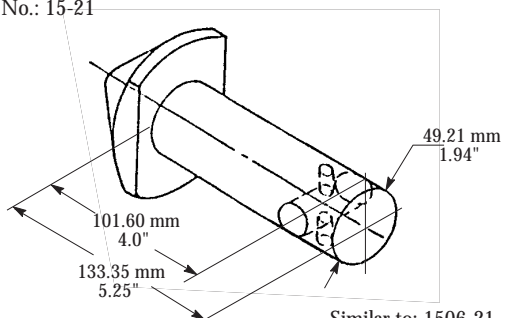
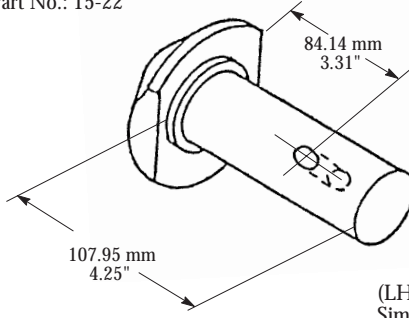
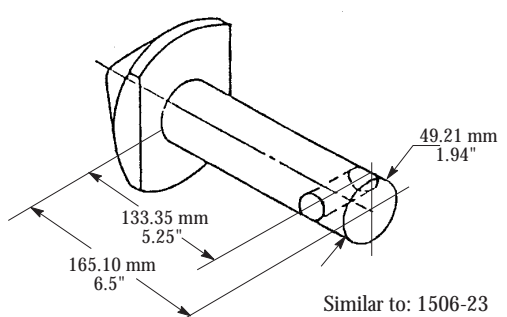
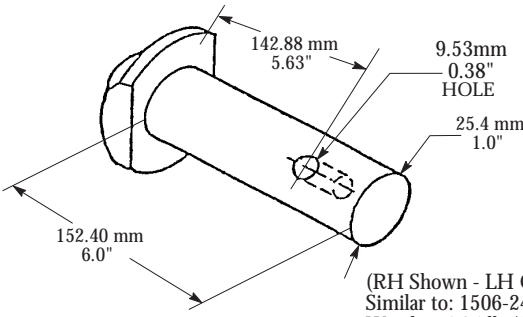
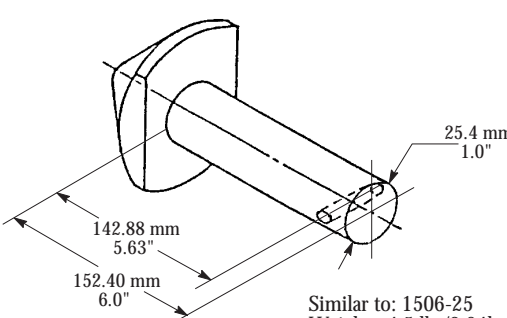
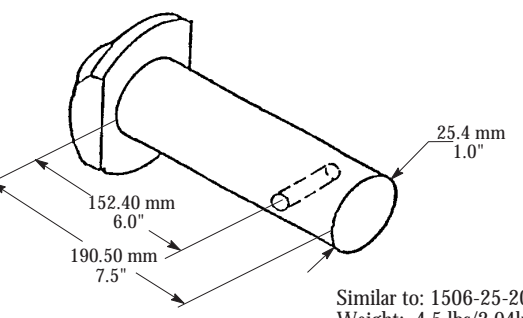
Part No.: 15-20



(RH Shown - LH Opp.)  
Similar to: 1506-20  
Weight: 6 lbs/2.72kg

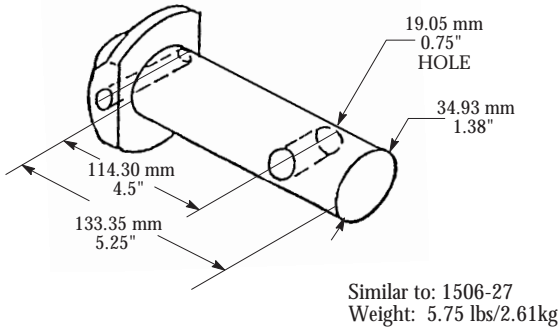
1. 15-20

**2.8.1: CHASSIS TWISTLOCK PINS**

<p>Part No.: 15-21</p>  <p>Similar to: 1506-21 Weight: 7 lbs/43.18kg</p>	<p>Part No.: 15-22</p>  <p>(LH Shown - RH Opp.) Similar to: 1506-22 Weight: 5 lbs/2.27kg</p>
<p>1. 15-21</p>	<p>1. 15-22</p>
<p>Part No.: 15-23</p>  <p>Similar to: 1506-23 Weight: 7.5 lbs/3.40kg</p>	<p>Part No.: 15-24</p>  <p>(RH Shown - LH Opp.) Similar to: 1506-24 Weight: 4.25 lbs/1.93kg</p>
<p>1. 15-23</p>	<p>1. 15-24</p>
<p>Part No.: 15-25-A</p>  <p>Similar to: 1506-25 Weight: 4.5 lbs/2.04kg</p>	<p>Part No.: 15-25-B</p>  <p>Similar to: 1506-25-200 Weight: 4.5 lbs/2.04kg</p>
<p>1. 15-25-A</p>	<p>1. 15-25-B</p>

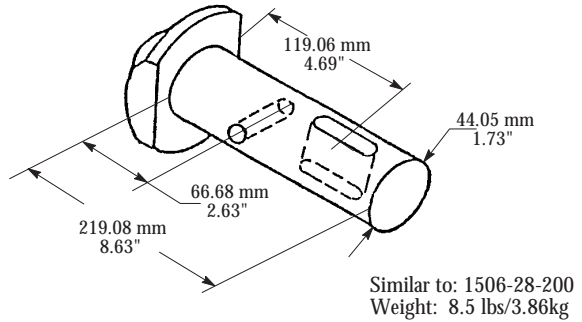
**2.8.1: CHASSIS TWISTLOCK PINS**

Part No.: 15-27



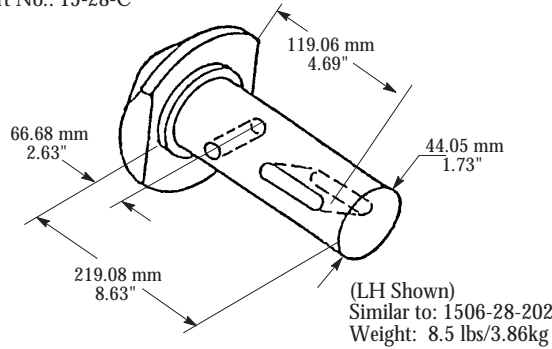
1. 15-27

Part No.: 15-28-B



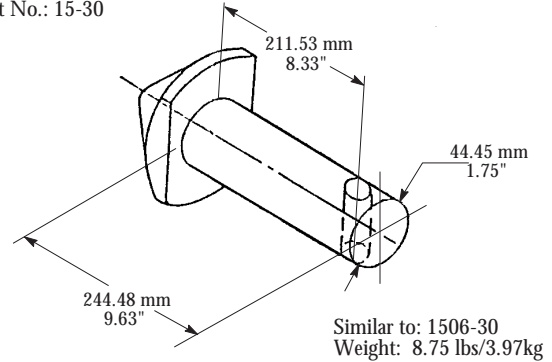
1. 15-28-B

Part No.: 15-28-C



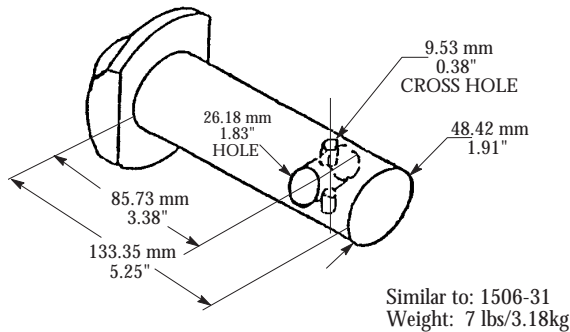
1. 15-28-C

Part No.: 15-30



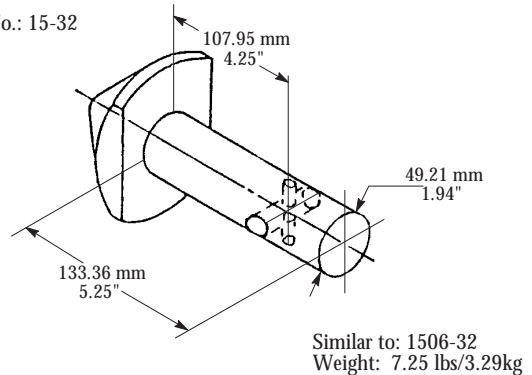
1. 15-30

Part No.: 15-31



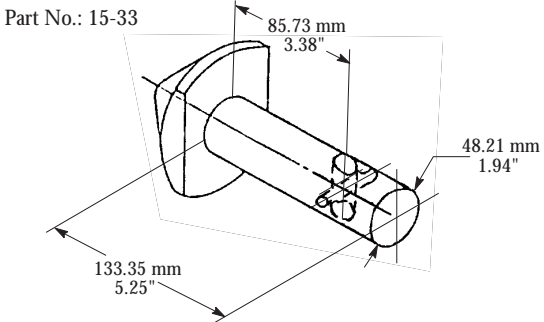
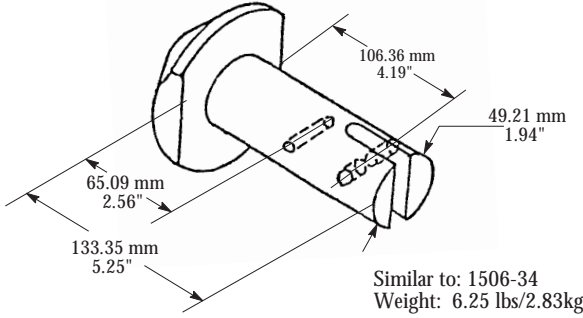
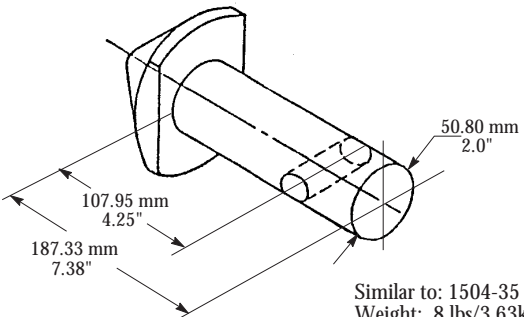
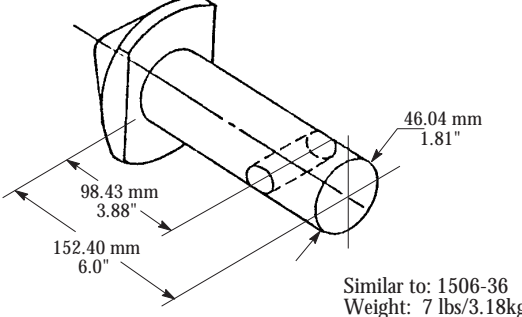
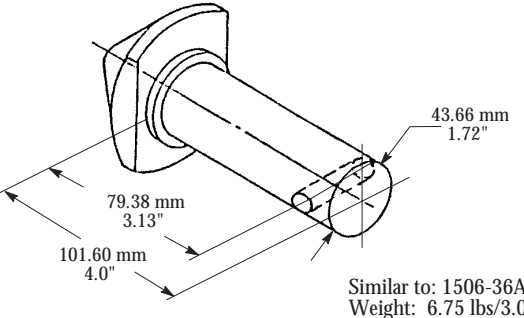
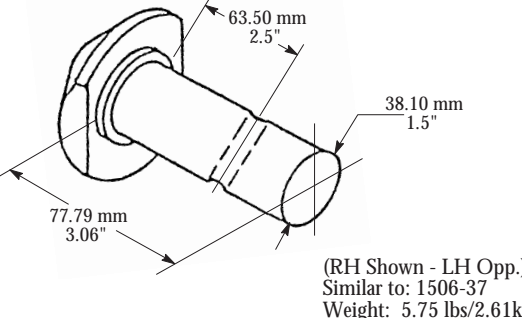
1. 15-31

Part No.: 15-32



1. 15-32

**2.8.1: CHASSIS TWISTLOCK PINS**

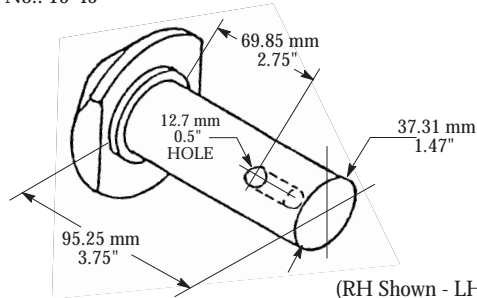
<p>Part No.: 15-33</p>  <p>Similar to: 1506-33 Weight: 6.75 lbs/3.06kg</p>	<p>Part No.: 15-34</p>  <p>Similar to: 1506-34 Weight: 6.25 lbs/2.83kg</p>
<p>1. 15-33</p>	<p>1. 15-34</p>
<p>Part No.: 15-35</p>  <p>Similar to: 1504-35 Weight: 8 lbs/3.63kg</p>	<p>Part No.: 15-36-A</p>  <p>Similar to: 1506-36 Weight: 7 lbs/3.18kg</p>
<p>1. 15-35</p>	<p>1. 15-36-A</p>
<p>Part No.: 15-36-B</p>  <p>Similar to: 1506-36A Weight: 6.75 lbs/3.06kg</p>	<p>Part No.: 15-37</p>  <p>(RH Shown - LH Opp.) Similar to: 1506-37 Weight: 5.75 lbs/2.61kg</p>
<p>1. 15-36-B</p>	<p>1. 15-37</p>

**2.8.1: CHASSIS TWISTLOCK PINS**

<p>Part No.: 15-38</p> <p>(RH Shown - LH Opp.) Similar to: 1506-38 Weight: 5 lbs/2.27kg</p>	<p>Part No.: 15-39</p> <p>(RH Shown - LH Opp.) Similar to: 1506-39 Weight: 5.5 lbs/2.49kg</p>
<p>1. 15-38</p>	<p>1. 15-39</p>
<p>Part No.: 15-40</p> <p>(RH Shown - LH Opp.) Similar to: 1506-40 Weight: 6 lbs/2.72kg</p>	<p>Part No.: 15-42</p> <p>(RH Shown - LH Opp.) Similar to: 1506-42 Weight: 8 lbs/3.63kg</p>
<p>1. 15-40</p>	<p>1. 15-42</p>
<p>Part No.: 15-43</p> <p>(RH Shown - LH Opp.) Similar to: 1506-43 Weight: 8 lbs/3.63kg</p>	<p>Part No.: 15-44</p> <p>(RH Shown - LH Opp.) Similar to: 1506-44 Weight: 8.5 lbs/3.86kg</p>
<p>1. 15-43</p>	<p>1. 15-44</p>

**2.8.1: CHASSIS TWISTLOCK PINS**

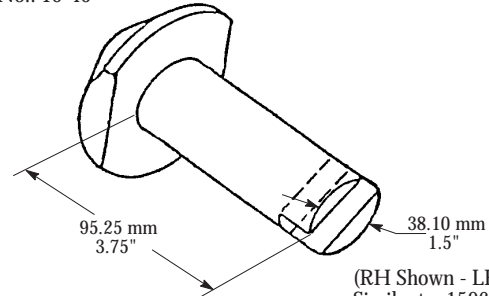
Part No.: 15-45



(RH Shown - LH Opp.)  
Similar to: 1506-45  
Weight: 5.25 lbs/2.38kg

1. 15-45

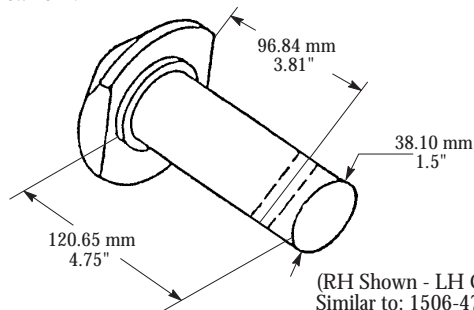
Part No.: 15-46



(RH Shown - LH Opp.)  
Similar to: 1506-46  
Weight: 5.5 lbs/2.49kg

1. 15-46

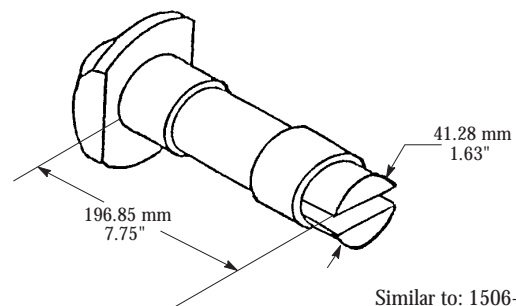
Part No.: 15-47



(RH Shown - LH Opp.)  
Similar to: 1506-47  
Weight: 4.75 lbs/2.15kg

1. 15-47

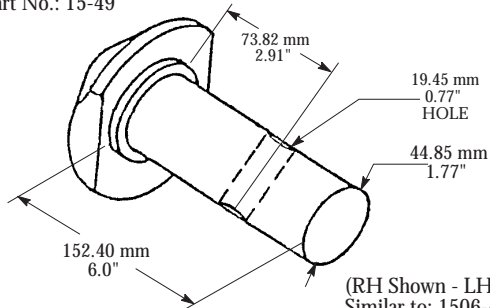
Part No.: 15-48



Similar to: 1506-48  
Weight: 8.5 lbs/3.86kg

1. 15-48

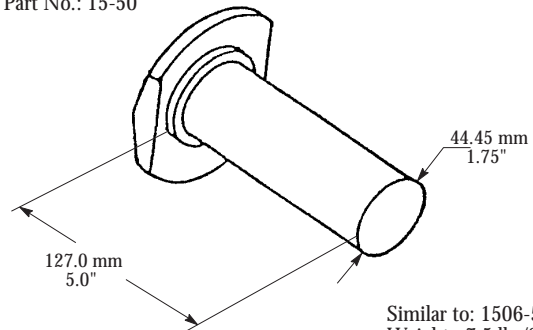
Part No.: 15-49



(RH Shown - LH Opp.)  
Similar to: 1506-49  
Weight: 6.25 lbs/2.83kg

1. 15-49

Part No.: 15-50



Similar to: 1506-50  
Weight: 7.5 lbs/3.40kg

1. 15-50



**2.8.1: CHASSIS TWISTLOCK PINS**

<p>Part No.: 15-51</p> <p>Similar to: 1506-51 Weight: 6.25 lbs/2.83kg</p>	<p>Part No.: 15-52</p> <p>Similar to: 1506-52 Weight: 6.75 lbs/3.06kg</p>
<p>1. 15-51</p>	<p>1. 15-52</p>
<p>Part No.: 15-53</p> <p>Similar to: 1506-53 Weight: 6.25 lbs/2.83kg</p>	
<p>1. 15-53</p>	

**2.8.2: TWIST LOCK PINS**

<p>1. PEN15-09</p>	<p>1. PEN15-19</p>	<p>1. PEN15-26</p>
<p>1. PEN15-28A-L 2. PEN15-28A-R shown</p>	<p>1. PEN15-29-LH 2. PEN15-29-RH shown</p>	<p>1. PEN15-41</p>

<p>1. PEN15-54</p>	<p>1. PEN15-57-LH 2. PEN15-57-RH shown</p>	<p>1. PEN15-68 2. PEN15-68-W Weldable</p>
<p>1. PEN15-69 2. PEN15-69-W Weldable</p>	<p>1. PEN15.117</p>	<p>1. PEN15.118</p>
<p>1. PEN15.128</p>		

**2.8.3: CHASSIS TWISTLOCK HANDLES**

<p>1. 20-9 Twistlock Handle Similar to: 201-9 Wt: 1 lb/0.45 kg</p>	<p>1. 20-12 Twistlock Handle Similar to: 201-12 Wt: 1.75 lb/0.79 kg</p>	<p>1. 20-13 Twistlock Handle Similar to: 201-13 Wt: 1.75 lb/0.79 kg</p>

**2.8.3: CHASSIS TWISTLOCK HANDLES**

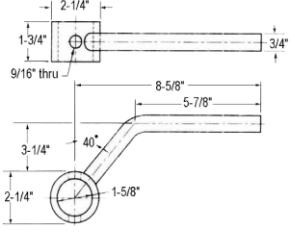
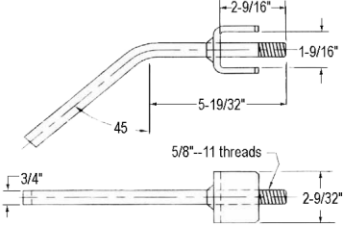
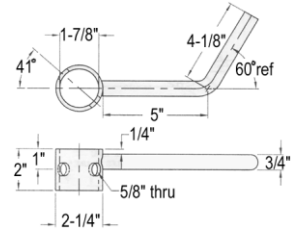
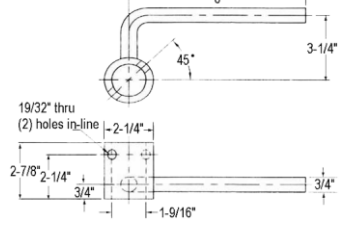
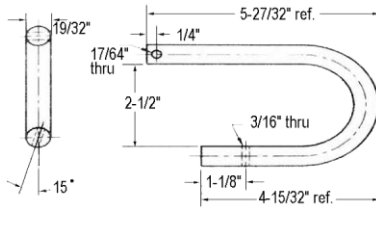
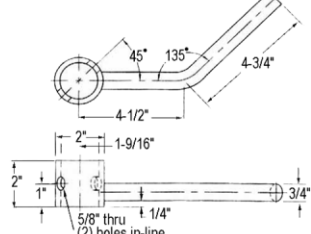
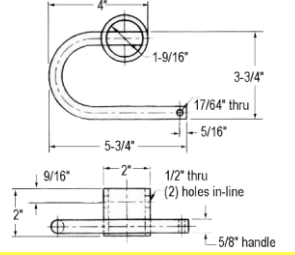
<p>1. 20-15 Similar to: 201-15 Wt: 0.5 lb/0.23 kg</p>	<p>1. 20-30 Similar to: 201-30 Wt: 3 lb/1.36 kg</p>	<p>1. 20-38 Similar to: 501-2 Wt: 6 lb/2.72 kg</p>
<p>1. 20-41-A Similar to: 501-5 Wt: 1 lb/0.45 kg</p>	<p>1. 20-42 Similar to: 501-6 Wt: 4.25 lb/1.93 kg</p>	<p>1. 20-43 Similar to: 501-7 Wt: 4.75 lb/2.15 kg</p>

**2.8.4: CONTAINER SECUREMENT HANDLES & PINS**

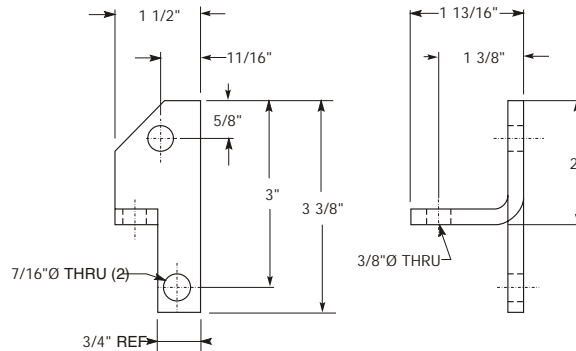
<p>1. 202012 Mat'l: HRS Wt: 2.4#, Primer Paint</p>	<p>1. 202013 Mat'l: Ductile Casting Wt: 2.2#, Primer Paint</p>

**2.8.5: TWIST LOCK HANDLES & PINS**

<p>1. PEN20-01-LH shown 2. PEN20-01-RH</p>	<p>1. PEN20-06</p>	<p>1. PEN20-07</p>
<p>1. PEN20-16</p>	<p>1. PEN20-25</p>	<p>1. PEN20-27</p>
<p>1. PEN20-36</p>	<p>1. PEN20-37</p>	<p>1. PEN20-40</p>
<p>1. PEN20-41-B</p>	<p>1. PEN20-45 2. PEN20-45-1 3. PEN20-45-2 Assembly Handle Pins</p>	<p>1. PEN20-54</p>
<p>1. PEN20-55</p>	<p>1. PEN20-56</p>	<p>1. PEN20-57</p>

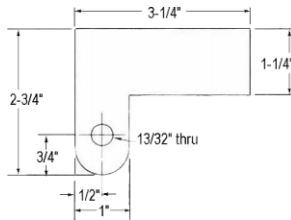
		
1. PEN20-58	1. PEN20-76-MOD	1. PEN20-88-LH 2. PEN20-88-RH <span style="float: right;">shown</span>
		
1. PEN20-97-LH 2. PEN20-97-RH	1. PEN20-98-LH 2. PEN20-98-RH	1. PEN20.108-LH 2. PEN20.108-RH <span style="float: right;">shown</span>
		
1. PEN20.113-LH 2. PEN20.113-RH <span style="float: right;">shown</span>		

### 2.8.6: LATCHES

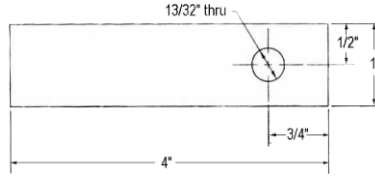


1. 202509R & 202509L Right Hand Shown: Part No. 202509R  
 OEM # 25-09-RH  
 Left Hand Opposite: Part No. 202509L  
 OEM # 25-09-LH  
 Mat'l: 7 Ga. HRS  
 Wt: 0.2#, Primer Paint

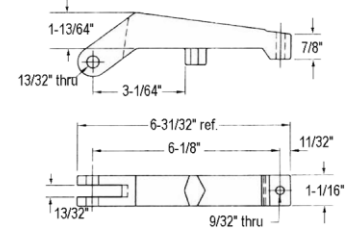
**2.8.7: SAFETY LOCKS & LATCHES**



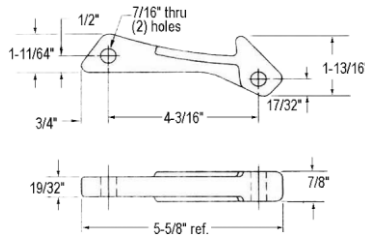
1. PEN25-01



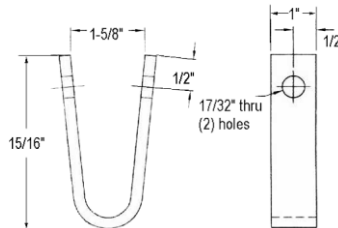
1. PEN25-03



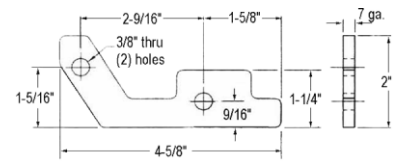
1. PEN25-05



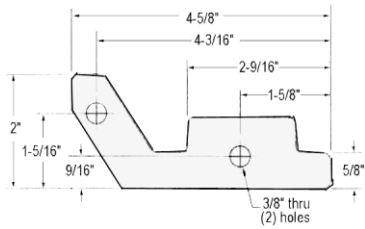
1. PEN25-06



1. PEN25-08

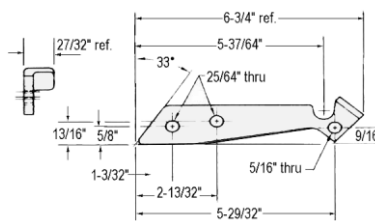


1. PEN25-10

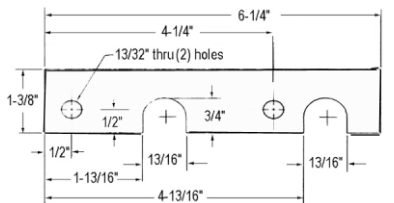


1. PEN25-11  
2. STO04-85496-009-02

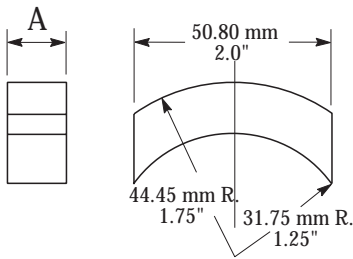
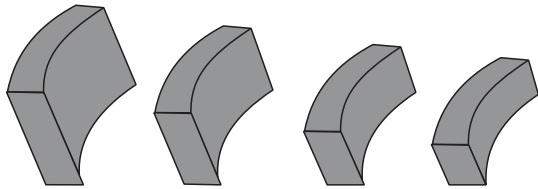
Zinc  
Black



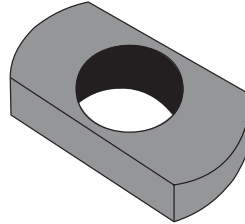
1. PEN25-21



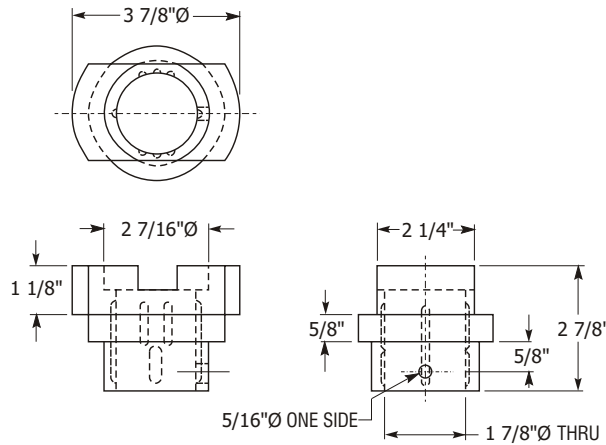
1. PEN25-28

**2.8.8: RISER BLOCKS**


Part No.	Similar to:	A	
		in.	mm
21-1	2100-1	3/8	9.53
21-2	2100-2	9/16	14.29
21-3	2100-3	1	25.4
21-4	2100-4	1 1/8	28.58
21-5	2100-5	1 1/4	31.75
21-6	2100-6	1 3/8	34.93
21-7	2100-7	1 1/2	38.10
21-8	2100-8	1 5/8	41.28



Dimensions subject to customer's requirements

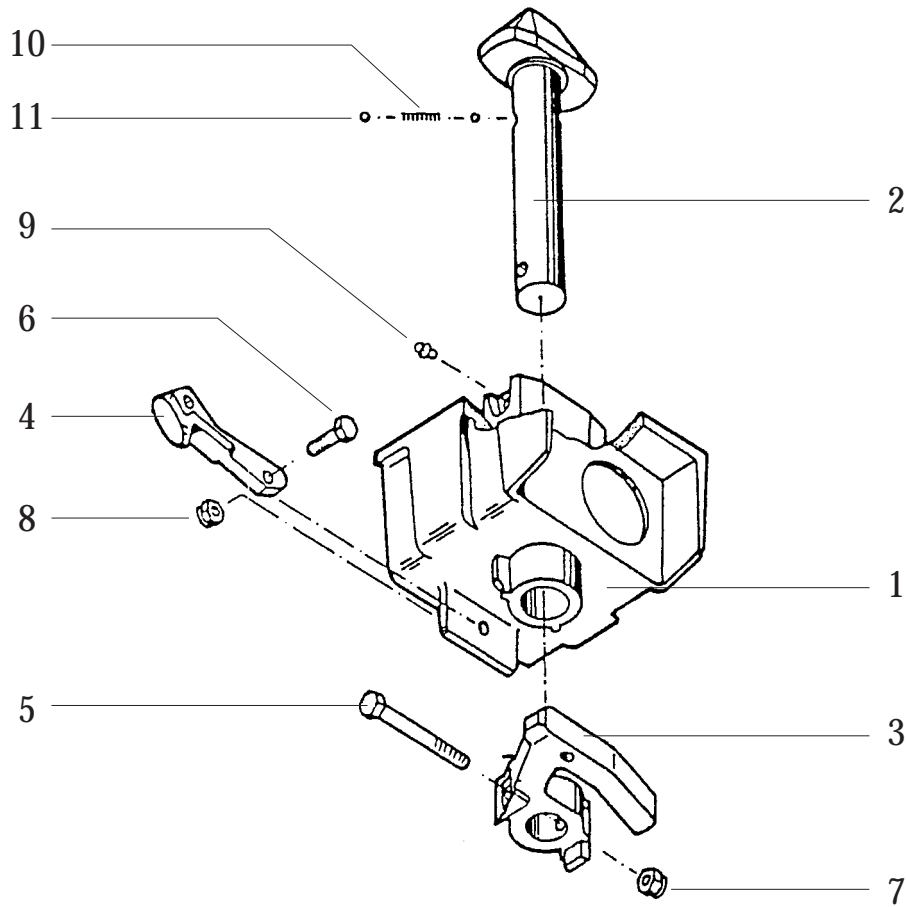


1. 202125  
 Material: HRS  
 Wt: 2.9#, Primer Paint

OEM # 21-25

**2.8.9: ORIGINAL SCHULZ REPLACEMENT PARTS**

Type F33NS 905.177.000

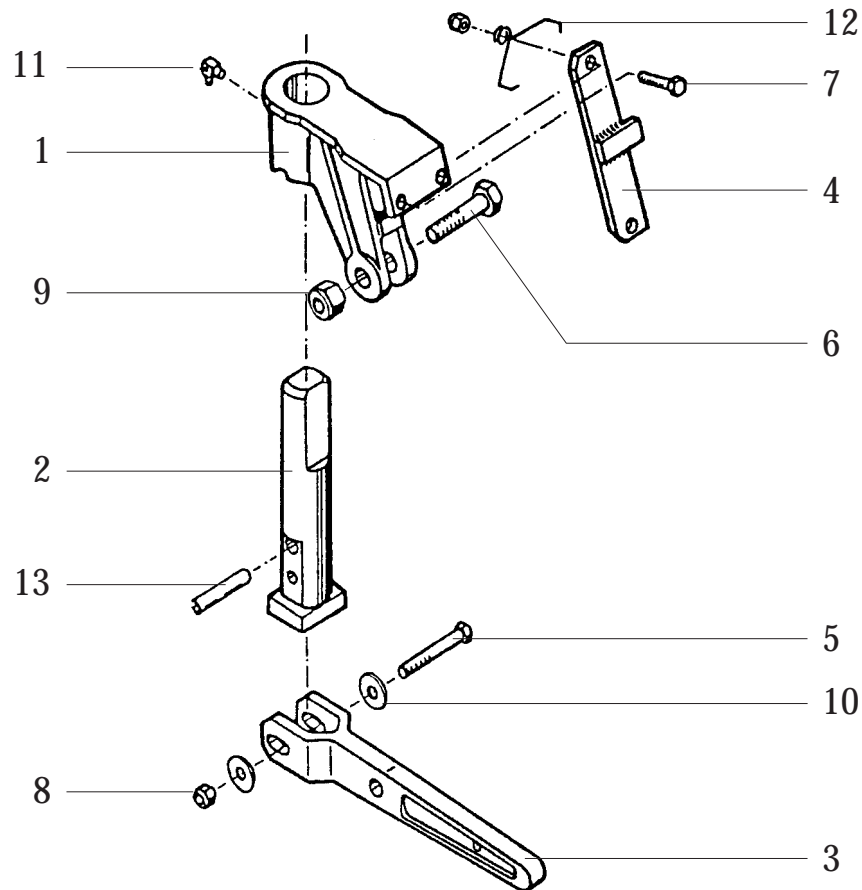


Reference	Description	Quantity	Part Number
1	Housing	1	905.177.001
2	Locking Pin	1	905.177.002
3	Handle	1	905.177.003
4	Latch	1	905.177.009
5	Hex. Bolt 1/2 x 4	1	000.004.008
6	Hex. Bolt 3/8 x 1 1/2	1	000.004.009
7	Sec. Nut 1/2	1	000.005.003
8	Sec. Nut 3/8	1	000.005.004
9	Grease Nipple	1	905.000.185
10	Spring	1	905.000.194
11	Ball	2	905.000.195



**2.8.9: ORIGINAL SCHULZ REPLACEMENT PARTS**

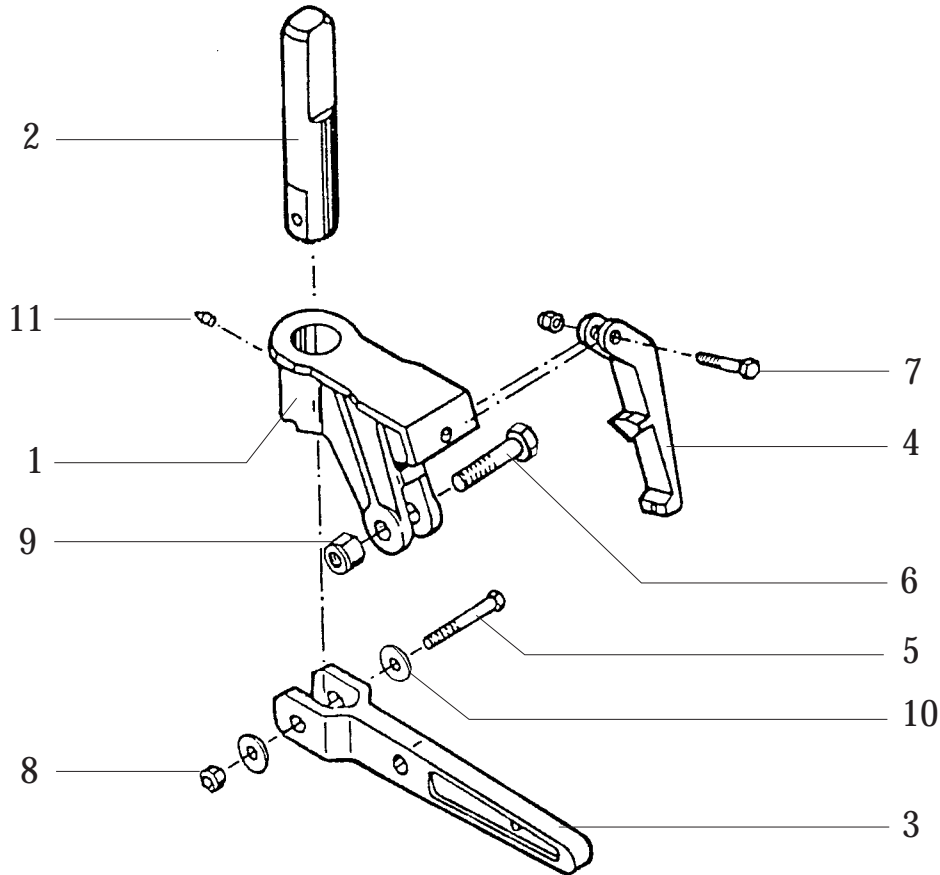
Type FB44HL 905.204.000



Reference	Description	Quantity	Part Number
1	Housing	1	905.156.001
2	Locking Pin	1	905.204.005
3	Handle	1	905.204.003
4	Latch	1	905.204.004
5	Hex. Bolt 3/8 x 2 3/4	1	000.004.010
6	Hex. Bolt 5/8 x 2 1/2	1	000.004.011
7	Hex. Bolt 3/8 x 1 1/2	1	000.004.009
8	Sec. Nut 3/8	2	000.005.004
9	Sec. Nut 5/8	1	000.005.002
10	Washer 3/8	2	000.006.008
11	Grease Nipple 90°	1	905.204.008
12	Spring	1	905.204.002
13	Roller Pin 1/2 x 2 3/8	1	000.003.001

**2.8.9: ORIGINAL SCHULZ REPLACEMENT PARTS**

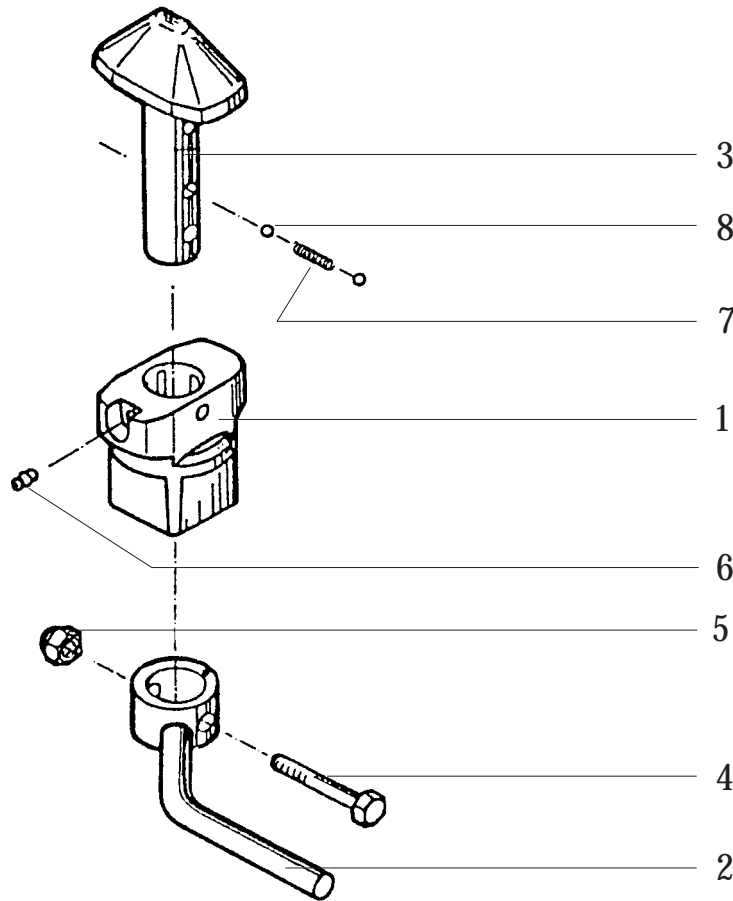
Type FB55HL 905.206.000



Reference	Description	Quantity	Part Number
1	Housing	1	905.156.001
2	Locking Pin	1	905.156.002
3	Handle	1	905.156.003
4	Latch	1	905.206.001
5	Hex. Bolt 3/8 x 2 3/4	1	000.004.010
6	Hex. Bolt 5/8 x 2 1/2	1	000.004.011
7	Hex. Bolt 3/8 x 1 1/2	1	000.004.009
8	Sec. Nut 3/8	2	000.005.004
9	Sec. Nut 5/8	1	000.005.002
10	Washer 3/8	2	000.006.008
11	Grease Nipple	1	905.000.185

**2.8.9: ORIGINAL SCHULZ REPLACEMENT PARTS**

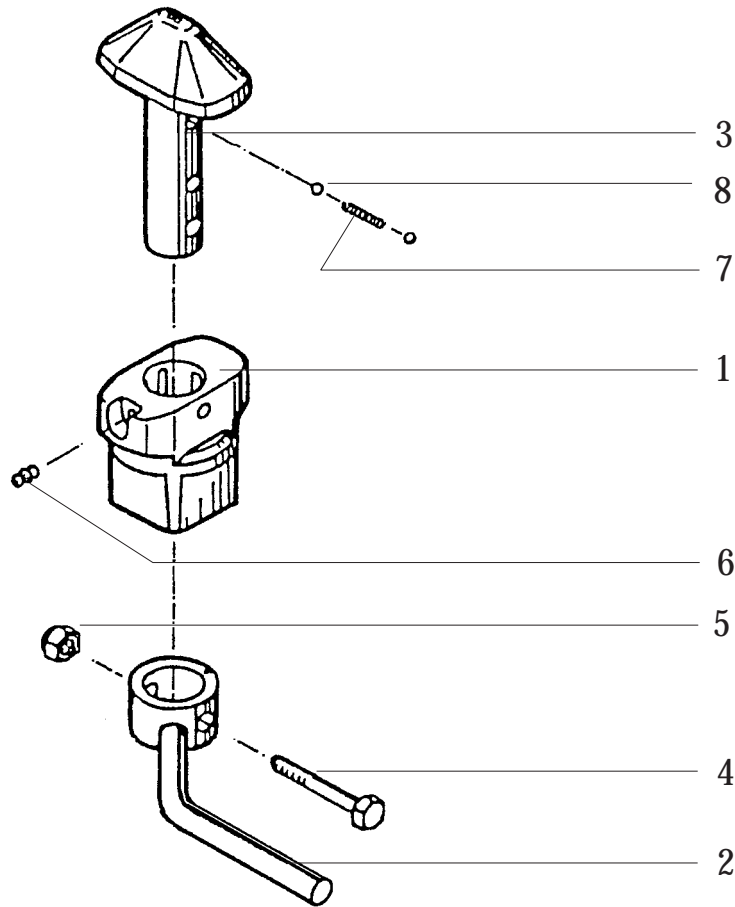
Type F66NS 905.264.000



Reference	Description	Quantity	Part Number
1	Housing	1	905.228.001
2	Handle Assembly	1	905.228.100
3	Locking Pin	1	905.228.004
4	Hex. Bolt 1/2 x 3	1	000.004.004
5	Sec. Nut 1/2	1	000.005.003
6	Grease Nipple	1	905.000.185
7	Spring	1	905.000.194
8	Ball	2	905.000.195

**2.8.9: ORIGINAL SCHULZ REPLACEMENT PARTS**

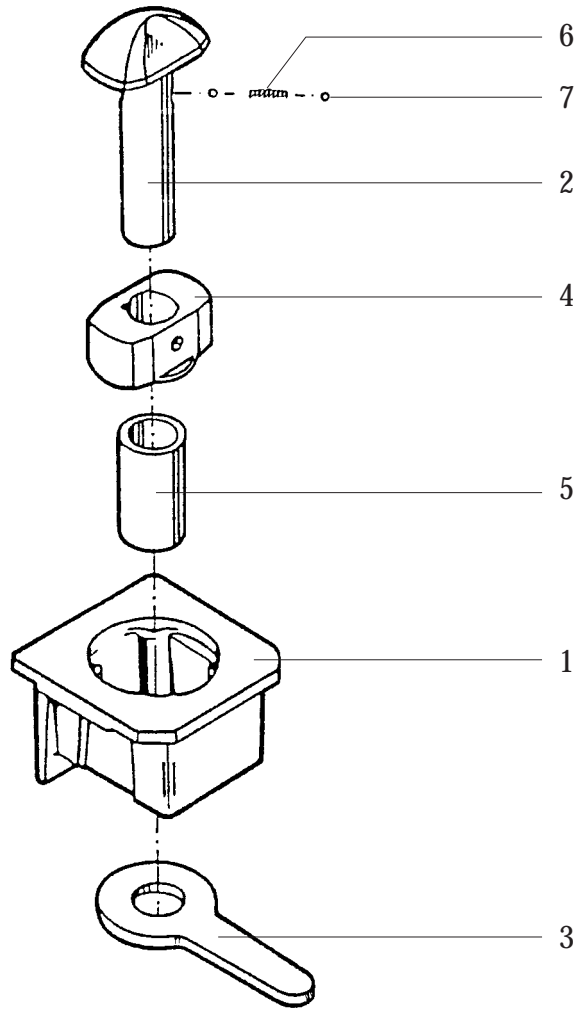
Type F77ANS 905.265.000



Reference	Description	Quantity	Part Number
1	Housing	1	905.228.001
2	Handle Assembly	1	905.265.100
3	Locking Pin	1	905.228.004
4	Hex. Bolt 1/2 x 3	1	000.004.004
5	Sec. Nut 1/2	1	000.005.003
6	Grease Nipple	1	905.000.185
7	Spring	1	905.000.194
8	Ball	2	905.000.195

**2.8.9: ORIGINAL SCHULZ REPLACEMENT PARTS**

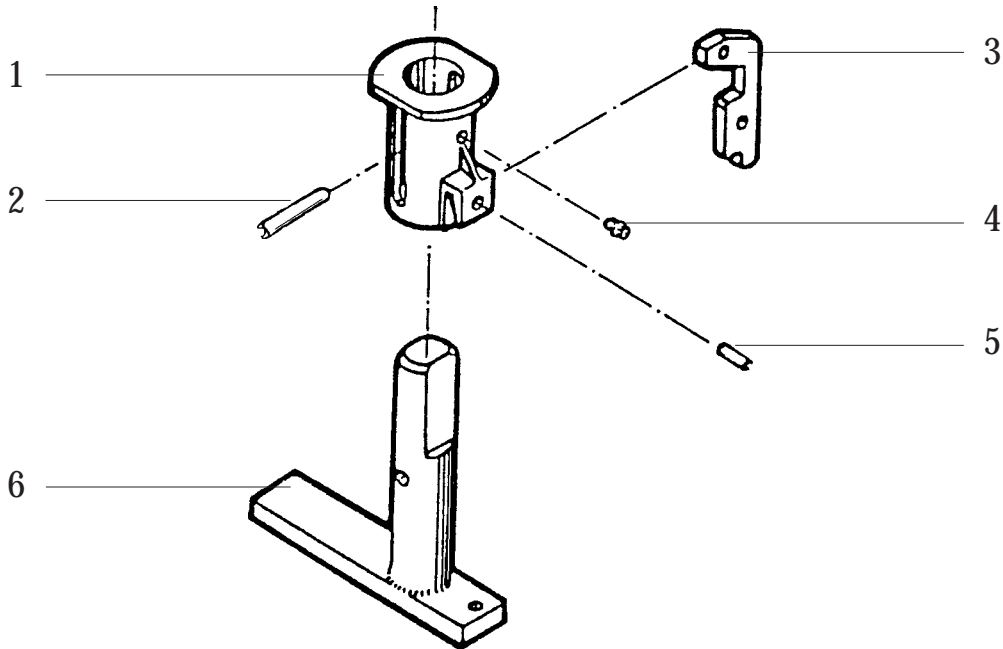
Type QA18NS 905.131.000



Reference	Description	Quantity	Part Number
1	Housing	1	905.000.171
2	Locking Pin	1	905.000.169
3	Handle	1	905.000.167
4	Riser Block	1	905.000.244
5	Bushing	1	905.000.260
6	Spring	1	905.000.194
7	Ball	2	905.000.195

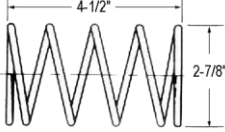
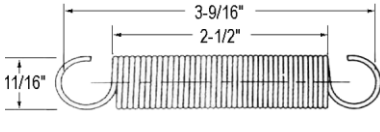
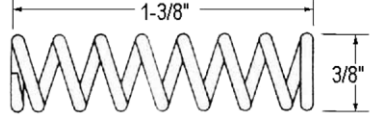
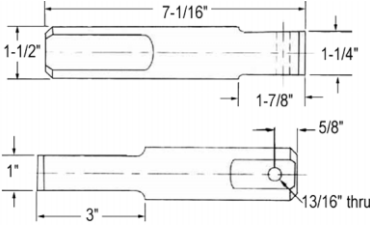
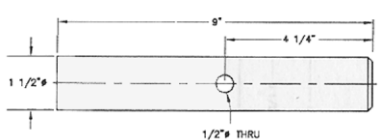
**2.8.9: ORIGINAL SCHULZ REPLACEMENT PARTS**

Type FB88HL 905.238.001

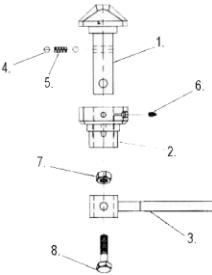
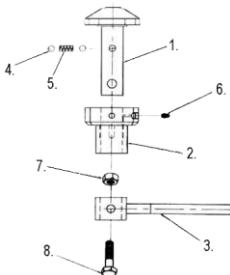
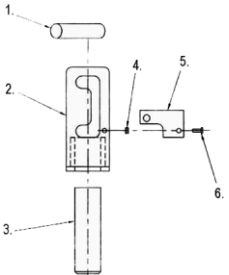


Reference	Description	Quantity	Part Number
1	Housing	1	905.238.001
2	Handle Assembly	1	905.238.100
3	Latch	1	905.238.002
4	Grease Nipple	1	905.000.185
5	Rolled Pin 5/16 x 7/8	1	000.003.010
6	Rolled Pin 3/8 x 2 3/8	1	000.003.011

**2.8.10: MISCELLANEOUS TWIST LOCK PARTS**

 <p>ends closed and ground</p>		
<p>1. PEN50-12 Spring</p>	<p>1. PEN50-13 Spring</p>	<p>1. PEN50-20 Spring</p>
		
<p>1. PEN30-21 Lock Pin</p>	<p>1. PEN30-13</p>	

**2.8.11: TWIST LOCK ASSEMBLIES**

 <ol style="list-style-type: none"> <li>1. Twist Lock</li> <li>2. Housing</li> <li>3. Handle</li> <li>4. Steel Ball</li> <li>5. Spring</li> <li>6. Grease Fitting</li> <li>7. Lock Nut 9/16"—12</li> <li>8. Hex Hd. Bolt 9/16" x 3", gr. 5</li> </ol>	 <ol style="list-style-type: none"> <li>1. Twist lock</li> <li>2. Housing</li> <li>3. Handle</li> <li>4. Steel Ball</li> <li>5. Spring</li> <li>6. Grease Fitting</li> <li>7. Lock Nut 9/16"—12</li> <li>8. Hex Hd. Bolt 9/16" x 3", gr. 5</li> </ol>	 <ol style="list-style-type: none"> <li>1. Handle</li> <li>2. Housing</li> <li>3. Pin</li> <li>4. Lock Nut 1/4"—20</li> <li>5. Latch</li> <li>6. Hex Hd. Bolt 1/4"—20 x 1"</li> </ol>
<p>1. PEN90-02LH 2. PEN90-02RH shown</p>	<p>1. PEN90-03</p>	<p>1. PEN90-20-LH</p>

## 2.9 Decals

### 2.9.1: LETTERS AND NUMBERS

#### 2.9.1.1: BLACK OR WHITE KISS-CUT (FREESTANDING)

Article Number	Description	Size	Quantity/Package
01-01	0-9 or A-Z	6 in (150 mm)	50
01-02	0-9 or A-Z	4 in (100 mm)	100
01-03	0-9 or A-Z	3 in (80 mm)	100
01-04	0-9 or A-Z	2.4 in (60 mm)	100
01-05	0-9 or A-Z	2 in (50 mm)	100
01-06	A-Z	2 in (50 mm)	100

#### 2.9.1.2: YELLOW OR BLUE KISS-CUT (FREESTANDING)

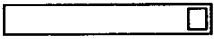






Article Number	Description	Size	Quantity/Package
01-07	0-9 or A-Z	4 in (100 mm)	100
01-08	0-9 or A-Z	2 in (50 mm)	100
01-09	A-Z	2 in (50 mm)	100









#### 2.9.1.3: BLACK ON WHITE OR WHITE ON BLACK


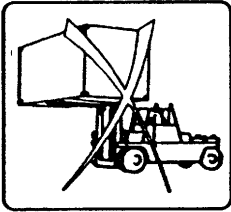
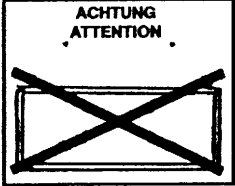



Article Number	Description	Size	Quantity/Package
01-010	0-9 or A-Z	4 in (100 mm)	100
01-011	0-9 or A-Z	2 in (50 mm)	100

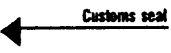




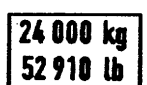

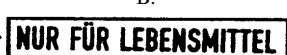

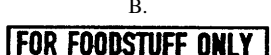
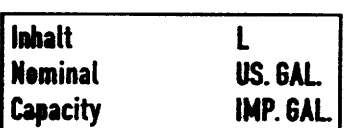




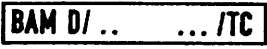
**2.9.2: ISO DECALS**

Article Number		Description	Quantity/Package
02-01	A) 	27.56 x 4.92 in. (700 x 125 mm) white base plate with frame for check-digit; neutral for 3.94 inc. (100 mm) high figures and letters.	25
	B) 	3.1 x 5.1 in. (80 x 1300 mm) white base plate with frame for check-digit; neutral for 3.94 (100 mm) high letters and numbers.	25
02-02	A) 	27.56 x 4.92 in. (700 x 125 mm) white base plate with printed-in owner code, as specified	50
	B) 	3.1 x 5.1 in. (80 x 1300 mm) white base plate with printed-in owner code, as specified	25
02-03		14.76 x 4.53 in. (375 x 115 mm) country code; print as specified	25
02-04		12.21 x 25.39 in. (310 x 645 mm) weight panel: <i>a. white/black</i> <i>b. transparent/white</i> <i>c. transparent/yellow</i> <i>d. transparent/black</i>	25
02-05	A. 	12.21 x 25.39 in. (310 x 645 mm) weight panel, neutral with imprint "kg" and "lb." <i>a. white/black</i> <i>b. transparent/white</i> <i>c. transparent/yellow</i> <i>d. transparent/black</i>	25
	B.	With imprint as specified	3





Article Number		Description	Quantity/Package
02-06		For 3.94 in (100 mm) figures Check-digit frame <i>a. black</i> <i>b. white</i> <i>c. yellow</i> <i>d. blue</i> <i>e. black on white</i>	100
02-07		4.33 x 7.28 in. (110 x 185 mm) ic-sign <i>a. black</i> <i>b. white</i> <i>c. yellow</i> <i>d. blue</i> <i>e. black on white</i>	25
02-08		4.33 x 5.91 in. (110 x 150 mm) height difference mark <i>yellow/black</i>	25
		4.33 x 5.91 in. (110 x 150 mm) <i>yellow/black</i>	25
		4.33 x 5.91 in. (110 x 150 mm) <i>yellow/black</i>	25
02-09		2.52 x 4.13 in. (64 x 105 mm) anchor <i>white/red/black</i>	25
02-10		1.97 x 7.87 in. (50 x 200 mm) <i>a. white/black</i> <i>b. transparent/white</i> <i>c. transparent/yellow</i>	20
02-11		18.11 x 10.24 in. (460 x 260 mm) <i>background blue</i> <i>print white</i>	10










Article Number		Description	Quantity/Package
02-12		3.93 x 9.54 in. (100 x 240 mm) lightning arrow white/red	25
02-13		11.81 x 9.84 in. (300 x 250 mm) prohibited for forklift trucks white/red/black/yellow	25
02-14		11.81 x 9.84 in. (300 x 250 mm) do not lift below 45 degrees white/black	25
02-15		12.2 x 12.2 in. (310 x 310 mm) red/black	5
02-16		12.2 x 12.2 in. (310 x 310 mm) red/black	5
02-17		11.81 x 7.87 in. (300 x 200 mm) yellow/red/black/white caution bulk cargo	25









Article Number		Description	Quantity/Package
02-18		3.74 x 1.57 in. (95 x 40 mm) <i>white/black</i>	20
02-19		3.74 x 1.57 in. (95 x 40 mm) <i>white/black</i>	20
02-20		11.81 x 11.81 in. (300 x 300 mm) <i>blue/white</i>	25
02-21		1.4 x 3.2 in. (35 x 80 mm) <i>black/white</i> CSC-reinspection label	100
02-22		ACEP sticker as specified according to customer's requirement	Please ask for price
02-23		12.4 x 5.2 in (310 x 130 mm) <i>black on white</i>	50
02-24	A. 	lettering height 4.8 in. (120 mm) <i>black on white</i>	25
	B. 	18.2 x 6.4 in. (455 x 160 mm) <i>black on white</i>	25
02-25	A. 	lettering height 4.8 in. (120 mm) <i>black on white</i>	25
	B. 	18.2 x 6.4 in. (455 x 160 mm) <i>black on white</i>	25
02-26		lettering height 2 in. (50 mm) <i>a. black on white</i> <i>b. black kiss-cut</i>	25





Article Number		Description	Quantity/Package
02-27		lettering height 2 in. (50 mm) a. black on white b. black kiss-cut	25
02-28		lettering height 2 in. (50 mm) a. black on white b. black kiss-cut	25
02-30		lettering height 4 in. (100 mm) with imprint as specified black kiss-cut	25

### 2.9.3: LOGOS







Article Number		Description	Quantity/Package
03-01		12.2 x 60 in. (305 x 1500 mm) sidewall marking, vertical a. blue kiss-cut with transfer paper b. white kiss-cut with transfer paper	10
03-02		60 x 12.2 in. (1500 x 305 mm) door lettering, horizontal a. blue kiss-cut with transfer paper b. white kiss-cut with transfer paper	10
03-03		23 x 60 in. (575 x 1500 mm) sidewall lettering, vertical a. blue b. white	5
03-04		lettering height 17.2 in. (430 mm) sidewall marking, vertical yellow kiss-cut with transfer foil	8


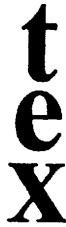





Article Number		Description	Quantity/Package
03-05		76 x 16 in. (1900 x 400 mm) sidewall marking, vertical <i>yellow/green</i>	10
03-06		34.4 x 10 in. (860 x 250 mm) door logo, horizontal <i>yellow/green</i>	10
03-07		lettering height 6 in. (150 mm) front marking, horizontal <i>yellow kiss-cut with transfer foil</i>	12
03-08		12 x 88 in. (300 x 2200 mm) sidewall marking, vertical <i>yellow kiss-cut with transfer foil</i>	8
03-09		38.56 x 6.28 in. (964 x 157 mm) door marking, horizontal <i>yellow kiss-cut with transfer foil</i>	10
03-10		29.0 x 9.2 in. (725 x 230 mm) logo <i>black on white</i>	on request
03-12		17.6 x 71.6 in. (440 x 1790 mm) sidewall lettering, vertical <i>blue on white</i>	5
03-13		17.6 x 12.8 in. (440 x 320 mm) logo for sidewall <i>blue/red on white</i>	10
03-14		17.6 x 14.2 in. (440 x 355 mm) logo for door <i>blue/red on white</i>	10







Article Number		Description	Quantity/Package
03-15		16.0 x 72.0 in. (400 x 1800 mm) sidewall lettering, vertical <i>yellow on clear</i>	8
03-16		15.2 x 15.2 in. (380 x 380 mm) door logo <i>yellow on clear</i>	10
03-17		39.2 x 40.44 in. (980 x 1011 mm) sidewall marking <i>blue on white</i>	on request
03-18		13.6 x 15.6 in. (340 x 390 mm) door logo <i>blue on white</i>	on request
03-19		40 x 24 in. (1000 x 600 mm) owner decal <i>blue on white</i>	on request
03-20		each side 15.6 in. (390 mm) logo a. <i>white kiss-cut with transfer paper</i> b. <i>green on white</i>	15
03-21		a. 80 x 18 in. (2000 x 450 mm) sidewall logo <i>Huurbox - black, red on white</i> <i>Koelbox - blue on white</i>	on request
		b. 60 x 13.2 in. (1500 x 330 mm) sidewall logo <i>black, red on white</i>	on request
03-22		20 x 4.4 in. (500 x 110 mm) door logo <i>Huurbox - black, red on white</i> <i>Koelbox - blue on white</i> * Other Huurbox decals are available on request	on request




Article Number		Description	Quantity/Package
03-23		lettering height 17.6 in. (440 mm) sidewall marking <i>white kiss-cut</i>	8
03-24		28 x 9 in. (700 x 225 mm) door logo <i>white kiss-cut</i>	10
03-25		17.6 x 84 in. (440 x 2100 mm) sidewall lettering, vertical <i>brown/white</i>	10
03-26		17.6 x 10.6 in. (440 x 265 mm) door lettering, horizontal <i>brown/white</i>	10











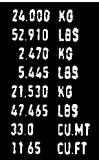
Article Number		Description	Quantity/Package
03-27		9 x 25.6 in. (225 x 640 mm) sidewall lettering, vertical <i>clear/white/red/blue</i>	10
		58 x 26 in. (1450 x 650 mm) sidewall logo <i>red/white</i>	6
		22.8 x 10.2 in. (570 x 255 mm) logo for flats <i>red/white</i>	7
		15.8 x 14 in. (395 x 350 mm) logo <i>red/blue on white</i>	10
03-28		16 x 76 in. (400 x 1900 mm) sidewall lettering, vertical <i>2 parts, blue on white</i>	10
03-29		16 x 20 in. (400 x 500 mm) door logo <i>blue on white</i>	10
03-30		12.8 x 3.2 in. (320 x 80 mm) owner decal Shirlstar <i>blue on white</i>	12

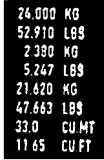



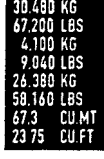


Article Number		Description	Quantity/Package
03-45		16 x 80 in. (400 x 2000 mm) sidewall logo <i>white on clear</i>	on request
03-46		16 x 16 in. (400 x 400 mm) door logo <i>white on clear</i>	
03-31		t = 17.2 in. (430 mm) e = 13 in. (325 mm) x = 12.48 in. (312 mm) sidewall lettering, vertical <i>white kiss-cut with transfer foil</i>	10
03-32		26 x 16 in. (650 x 400 mm) door logo <i>clear/white</i>	10
		30.4 x 13.6 in. (760 x 340 mm) front logo <i>clear/white</i>	10
03-33		16.4 x 88.4 in. (410 x 2210 mm) sidewall lettering, vertical <i>black on white</i>	8
03-34		28 x 8 in. (700 x 200 mm) door logo, horizontal <i>black on white</i>	10
03-35		8.4 x 28.8 in. (210 x 970 mm) door logo, vertical <i>black on white</i>	10

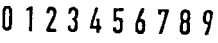








Article Number		Description	Quantity/Package
03-36		17.28 x 73.2 in. (432 x 1830 mm) sidewall lettering, vertical <i>a. yellow/blue No. S1d</i> <i>b. blue/yellow No. S2x with transfer paper</i>	8
03-37		36.6 x 8.6 in. (915 x 215 mm) sidewall lettering for tank container <i>blue on yellow with transfer paper</i>	10
03-38		6.2 x 68 in. (155 x 1700 mm) sidewall lettering for flats <i>blue on yellow with transfer paper</i>	10
03-39		a. 13.2 x 13.2 in. (330 x 330 mm)	10
		b. 8.8 x 8.8 in. (220 x 220 mm) (for 20' flats) door logo <i>yellow on blue</i>	12
03-40	<small>THIS ITEM OF EQUIPMENT IS OWNED, MANAGED OR LEASED BY</small> <b>TRANS OCEAN LTD</b> <small>ITS SUBSIDIARIES OR AFFILIATES,</small> <b>SAN BRUNO, CALIFORNIA, U.S.A.</b> <small>AND MAY BE SUBJECT TO A SECURITY INTEREST IN FAVOR OF ONE OR MORE FINANCIAL INSTITUTIONS.</small>	12.2 x 7.08 in. (305 x 177 mm) owner logo <i>blue on yellow</i> * More detailed TOL lettering for repair and refurbishing is available. Please contact us.	50
03-41		lettering height 8.8 in. (220 mm) sidewall lettering <i>a. white kiss-cut for box container</i> <i>b. brown kiss-cut for reefer container</i>	10
03-42		16.8 x 5.2 in. (420 x 130 mm) door lettering <i>a. white on clear for box container</i> <i>b. brown on clear for reefer container</i>	25











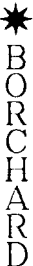
Article Number		Description	Quantity/Package
03-43		17.4 x 86.4 in. (435 x 2160 mm) sidewall marking, vertical <i>white/blue/red</i>	8
03-44		13.8 x 60.8 in. (345 x 1520 mm) door marking, vertical <i>white/blue/red</i>	10
		17.6 x 17.6 in. (440 x 440 mm) door logo <i>white/blue/red</i>	

Article Number	Description	
GS-2001		7.19 x 3.54 in. (180 x 90 mm) owner logo horizontal
GS-0201		35.5 x 17.7 in. (903 x 450 mm) door logo
GS-0102		17.3 x 78.7 in. (440 x 2000 mm) side logo for 20' and 40' steel with flat marking panel and vent







Article Number	Description	
GS-0101		17.3 x 90.7 in. (440 x 2304 mm) side logo for 20' and 40' steel with flat marking panel, without vent
GS-0103		17.3 x 102.5 in. (440 x 2604 mm) side logo for 20' and 40' steel high cube with flat marking panel
GS-0104		141.9 x 24.2 in. (3605 x 615 mm) side logo for 20' reefer
GS-0105		212 x 35.4 in. (5382 x 900 mm) side logo for 40' reefer
GS-0601		Max. Gross decal (white)
GS-0604		weight panel (white) TARE 2470 kg




Article Number	Description	
GS-0603		weight panel (white) TARE 2380 kg
GS-0602		weight panel (white) TARE 2330 kg
GS-0607		weight panel (white) TARE 4300 kg
GS-0606		weight panel (white) TARE 4200 kg
GS-0605		weight panel (white) TARE 4100 kg
GS-0608		white kiss-cut
GS-0901	US 2210	white kiss-cut lettering height 3.9 in. (100 mm)
GS-0902	US 4310	white kiss-cut lettering height 3.9 in. (100 mm)
GS-0510		check digit box white kiss-cut











Article Number	Description	
GS-0410		numbers 0-9 lettering height 3.9 in. (100 mm) <i>white kiss-cut</i>
GS-0301		prefix lettering height 3.9 in. (100 mm) <i>white kiss-cut, horizontal</i>
GS-0302		prefix lettering height 3.9 in. (100 mm) <i>white kiss-cut, horizontal</i>
GS-0303		prefix lettering height 3.9 in. (100 mm) <i>white kiss-cut, horizontal</i>
GS-0304		prefix lettering height 3.9 in. (100 mm) <i>white kiss-cut, horizontal</i>
GS-1002		height decal <i>black/yellow</i> 2, 9 / 9-1/2
GS-4003		caution decal 9'6" 12 x 14 in. (305 x 355 mm) <i>yellow/black</i>
GS-4004		caution decal vertical - symmetrical 2.76 x 39.4 in. (70 x 1000 mm) <i>yellow/black</i>
GS-4002		striping for corner posts 10.8 x 12 in. (275 x 305 mm) for right and left side <i>yellow/black</i>

Article Number	Description	
GS-4001		top rail striping 24 x 2 in. (610 x 50 mm) yellow/black
Shipping Companies		
Atlantic Container Line	 	
Baltic Shipping Line Co.	  	
Bermuda Container Line	  	
Black Star Line		
Borchard Lines Ltd.		
















Shipping Companies	
Bugsier Reederei AG	<b>B U G S I E R</b>
CMB S.A.	 
Compania Sud Americana de Vapores	 <b>Sud Americana de Vapores</b>
Deutsche See-Reederei Rostock	<b>D S R</b>
DFDS	 <b>DFDS TRANSPORT</b>
Ecuadorian Line	ECUADORIAN LINE   BONITA



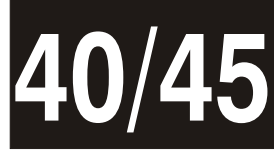

Shipping Companies	
Eimskip	<p style="text-align: center;"><b>EIMS KIP</b></p> <p style="text-align: right;">E I M S  K I P</p>
Empremar	
Empresa de Navegacao Alianca	
Empresa Lineas Maritimas Argentinas S.A.	<p><b>E.L.M.A. S.A.</b></p>
Eurosal	<p><i>EUROSAL</i></p>
Geest Line	<p style="font-size: 2em; letter-spacing: 0.5em;">G e e s t</p>
General National Maritime Transport Co.	

Shipping Companies	
Hamburg-Sud/Columbus Line	  
Hapag-Lloyd AG	 Hapag-Lloyd
Havenlinje B.V.	
Johnson Line	
Jugolinja	
Merzario	  

2: Body Parts

Shipping Companies	
Nedlloyd Lines	
North West Line	
Oldenburg Portugisische Dampfschiffs-Reederei	
Oy Finncarriers	
Pacific Forum Line	 <p>Pacific Forum Line</p>
Polish Ocean Lines	
Pro Line	<p>P R O  L I N E</p>

Shipping Companies	
PT Djakarta Lloyd	
Rosa Line	
Senator Line	
Tecomar	
United Arab Line	
Westwood Shipping Lines	
Wilh. Wilhelmsen Ltd.	

Decals			
			
1. 0240WB	1. 0245WB	1. 025045WB	1. 0248WB

**2.9.4: FHWA AND CSA PLATES**

**FHWA - PERIODIC INSPECTION**  
CERTIFICATION  
 This vehicle has passed an inspection in accordance with 49 C.F.R. Part 396 and must be reinspected during or before the same calendar month one year after the date shown below. Information on the contents of the inspection report can be obtained by contacting the owner/lessee.

PHONE: \_\_\_\_\_

DATE OF INSPECTION

**MO-YR -97**

INSTALL MONTHLY STICKER HERE

1. 04FHWAPL

**CSC SAFETY APPROVAL**

REINSPECTION SHALL BE BEFORE /

APPLY REINSPECTION DECAL HERE

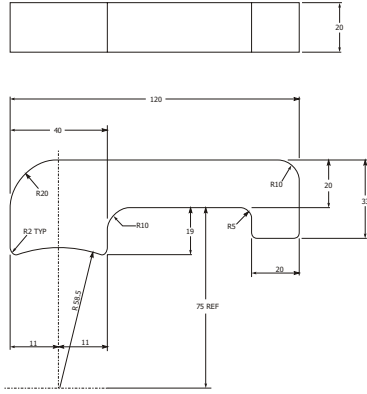
DATE MANUFACTURED \_\_\_\_\_

IDENTIFICATION NO. \_\_\_\_\_

MAXIMUM GROSS WEIGHT	KG.	LBS.
ALLOW. STACK. WT. 1,000	KG.	LBS.
RACKING TEST LOAD	KG.	LBS.

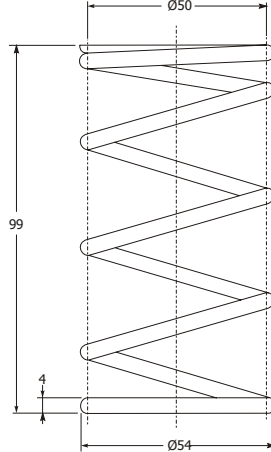
1. 04 CSPLATES

2.10 Locks, Hinges & Springs

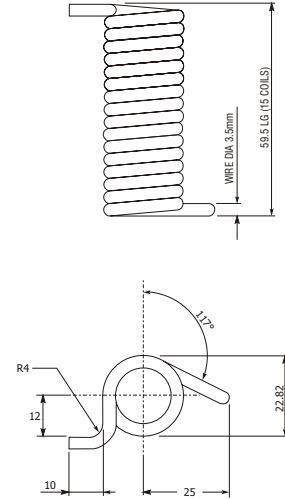


MADE FROM: BS 4360-43 A.

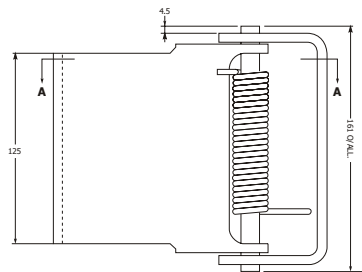
1. 92PK000101 Twistlock Arm



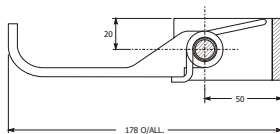
1. 924471 Compression Spring



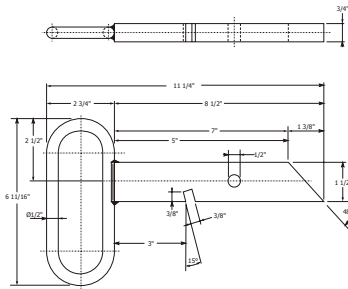
1. 92PK002101 Latch Spring  
Material: S/S Steel, AISI 302  
Weight: 0.72 kg



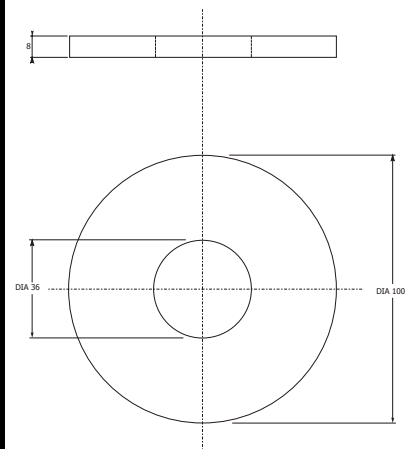
SECTION A—A



1. 92CW050801 Latch Assembly



1. 92SICOMHL Header Lock



MADE FROM: BS 4360-43 A

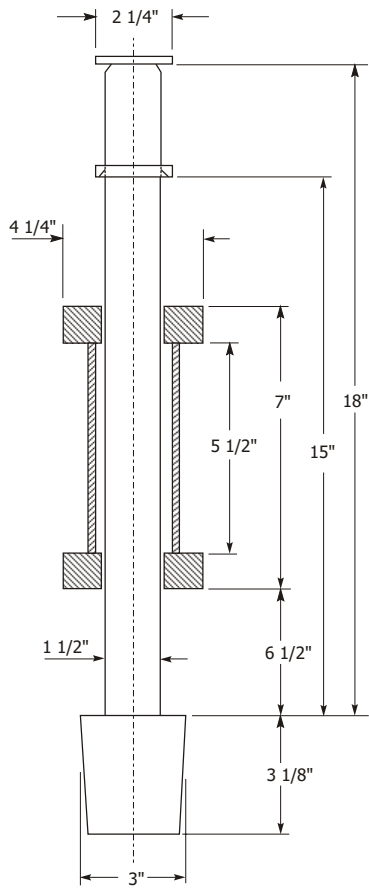
1. 92PK001501 Striker Plate

<p>1. 92CC0580 Taper Boxx (Large Hole) Material: BS 4360-50 B Alt. Material: BS 4360-50 C Weight: 0.92 kg</p>	<p>1. 92CC0582 Taper Boxx (Small Hole) Material: BS 4360-50 B Alt. Material: BS 4360-50 C Weight: 0.99 kg</p>	<p>1. 92CC057101 Pivot Pin Boss Material: BS 4360-50 B Alt. Material: BS 4360-50 C</p>
<p>1. 92CC0579 Pivot Pin Boss Material: BS 4360-50 B Alt. Material: BS 4360-50 C</p>	<p>1. 92PK001301 Taper Pin Stainless Steel Grade 303 Alt. Material: Stainless Steel Grade 304 or equivalent weldable</p>	<p>1. 92PH002701 Pivot Shaft Alt. Material: Stainless Steel Grade 304 or 316</p>

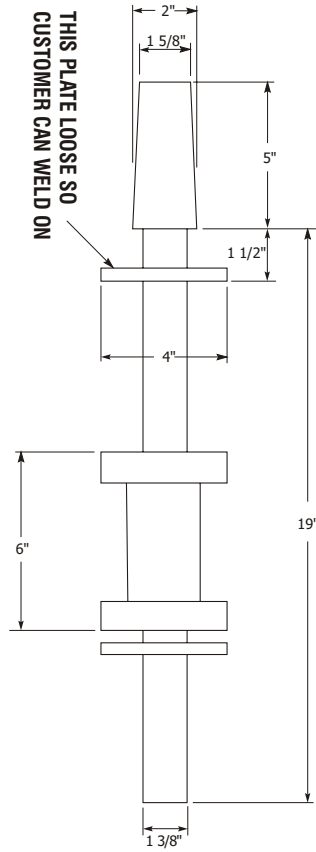


<p>1. 92SD47M25041 Taper Locking Pin Material: Stainless Steel - 303S31 or 316 Minimum Yield 300 N/MM <sup>2</sup> Weldable Grade</p>	<p>1. 92SD44M4203 Pivot Pin - Standard Material: Stainless Steel - 303S31 or 316 Minimum Yield 300 N/MM <sup>2</sup> Weldable Grade</p>	<p>Top Plates for Outer Hinges 1. 92SD44M105001AL L/H 2. 92SD44M105001AR R/H Can be recognized by the slot in the top plate</p>
<p>Top Plates for Outer Hinges 1. 92SD44NM105001L L/H 2. 92SD44NM105001R R/H</p>	<p>1. 92PH000101 Inner Hinge L/H 2. 92PH000102 Inner Hinge R/H Note: Component is left-handed as drawn</p>	<p>1. 92PH001101 Outer Hinge L/H 2. 92PH001102 Outer Hinge R/H Note: Component is left-handed as drawn</p>

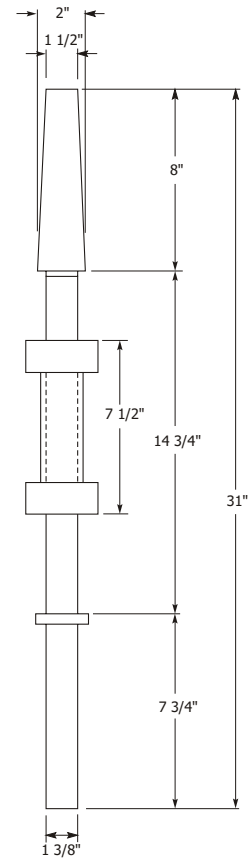
2: Body Parts



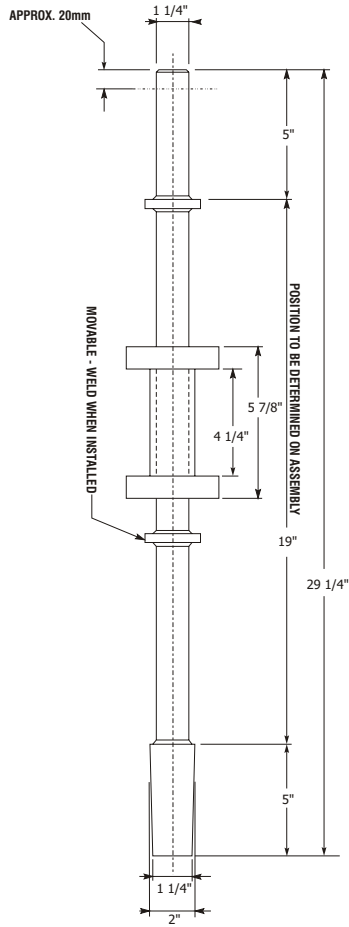
1. 92LOCKTRAVD3 Locking Mechanism



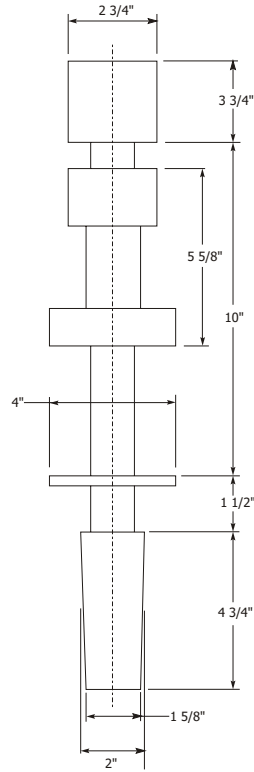
1. 92LOCKTYPE9 Locking Mechanism



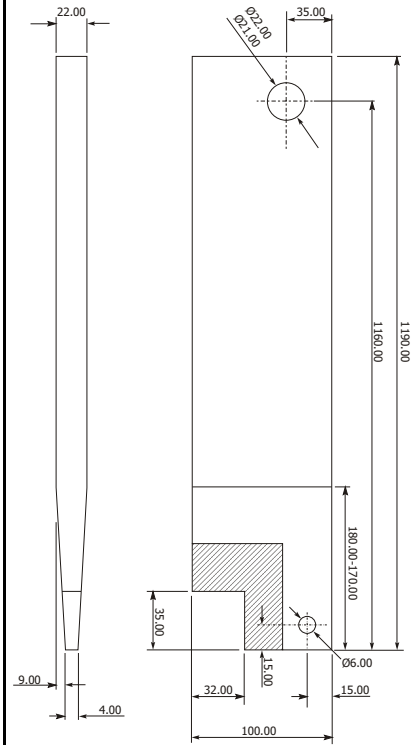
1. 92CW0386C Locking Mechanism



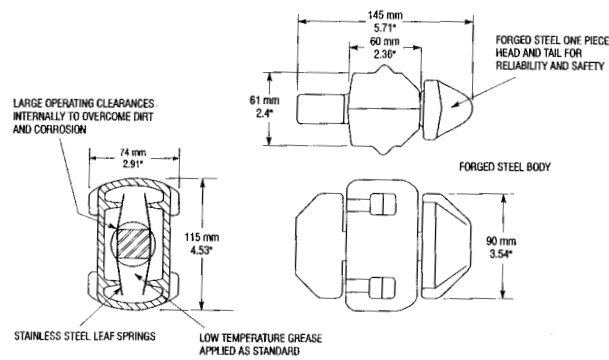
1. 92CW044901 Locking Mechanism



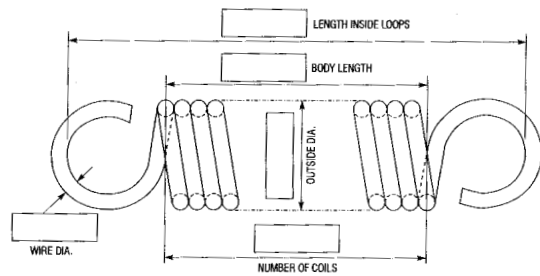
1. 92LOCKDES2 Locking Mechanism



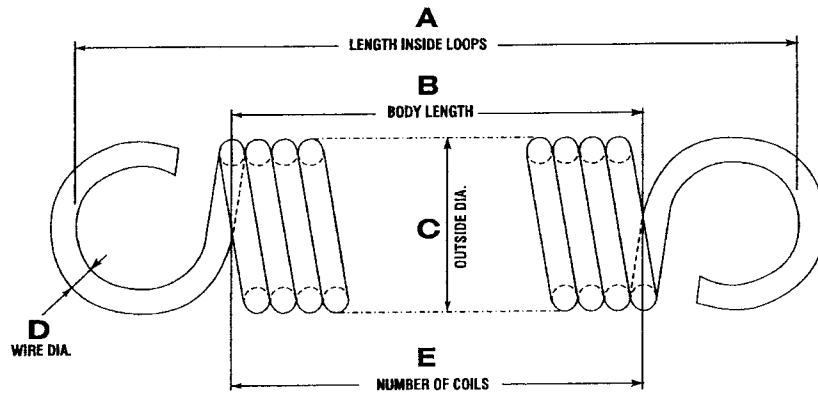
1. 92LEAFSPRING Counterbalance Spring - Leaf Type



1. Twistlock



1. Flat Rack Spring

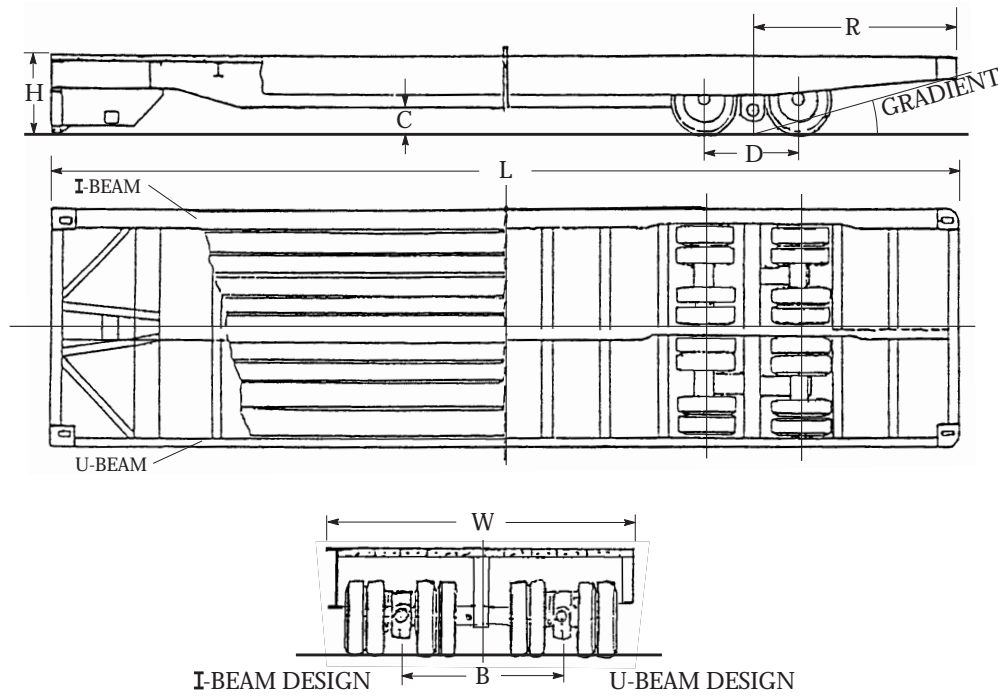


Martec Code	Dimensions				
	A	B	C	D	E
42VS334	33"	29"	3 3/4"	5/8"	43 Coils
42VS377 (383)	24"	19 1/2"	4"	5/8"	29 Coils
42VS442	30 1/2"	27 3/4"	3"	1/2"	48 Coils
42VS392	37 3/8"	34 1/4"	2 7/8"	1/2"	61 Coils
42VS662	37 1/4"	33 1/2"	2 3/4"	1/2"	63 Coils
42VS665	37"	32 1/2"	3 3/4"	3/4"	43 1/2 Coils
92PP001301	30 3/4"	29"	2 7/8"	5/8"	49 Coils

## 2.11 Rolltrailers and Accessories

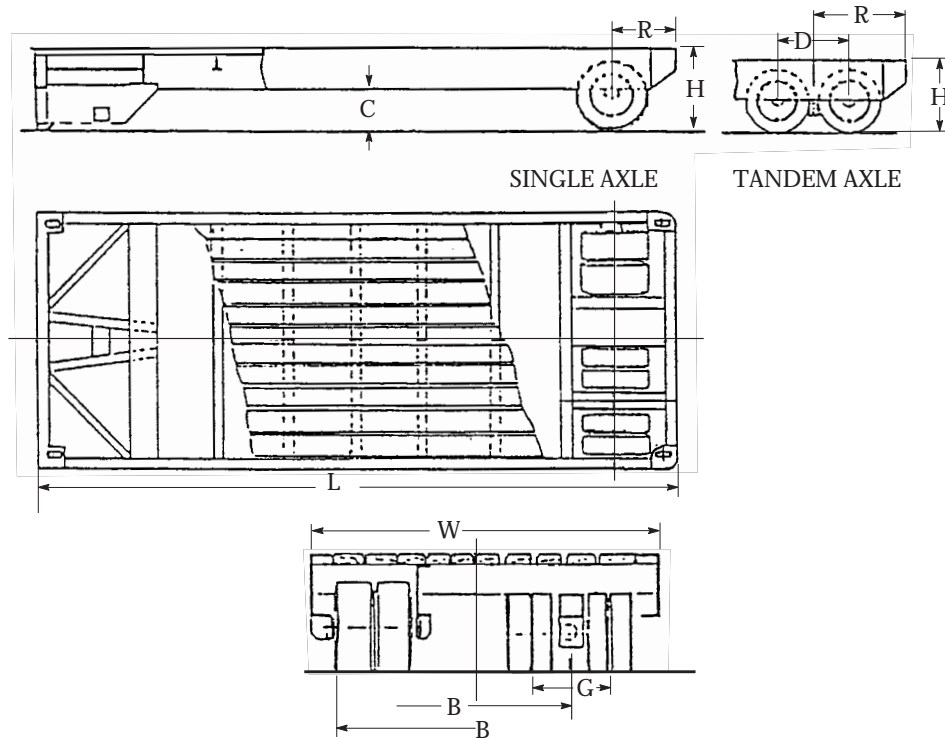
### 2.11.1: ROLLTRAILERS

03.05.002



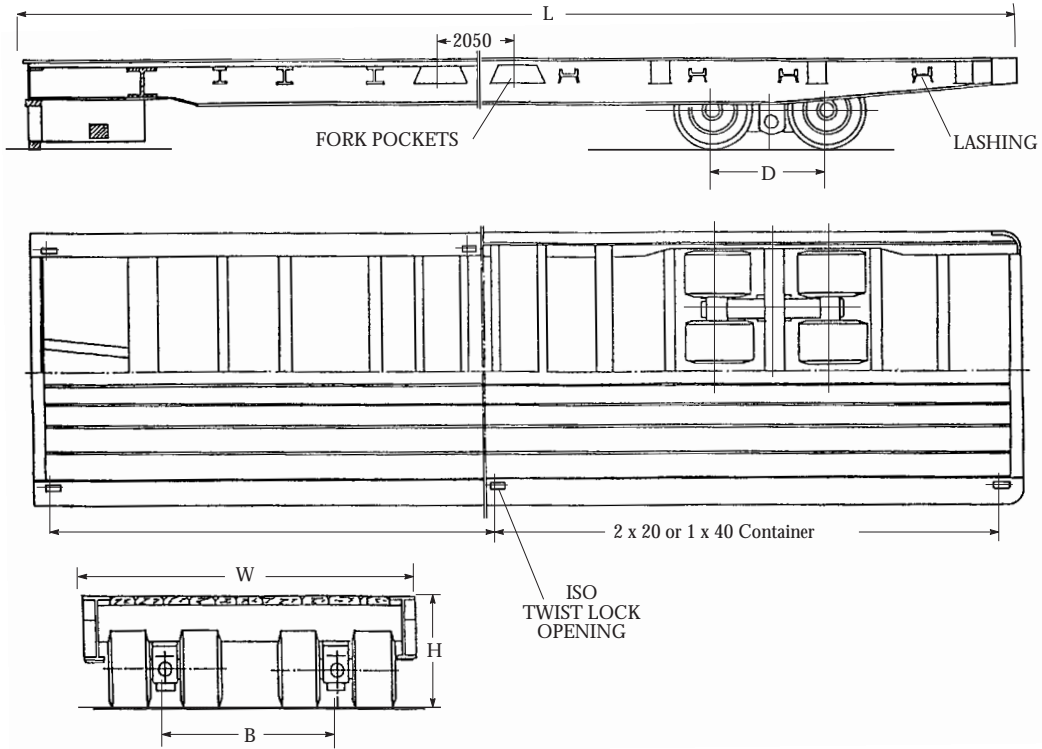
Technical Data	40'/40 Ton	40'/60 Ton	40'/80 Ton
Nominal Capacity (Ton)	40	60	30
Container Capacity (Ton)	40	60	30
Load Configuration	4 x 20' or	1 x 40' + 2 x 20' or	2 x 40
Tare Weight (kg)	5,600	6,600	7,900
Platform Size - L x W	12,260 x 2,500 mm	12,260 x 2,500 mm	12,260 x 2,500 mm
Platform Height (mm)	720	720	840
Gradiability (%)	22	28	25
Ground Clearance (C)	245 mm	320 mm	290 mm
Rear Overhang (R)	3,123 mm	3,123 mm	3,123 mm
Axle Base (B)	1,600 mm	1,350 mm	1,250 mm
Wheel Base (D)	800 mm	1,000 mm	1,000 mm
Wheel Diameter/Width	540 x 200	550 x 320	540 x 400
Axle Load	16,832 kg	24,583 kg	32,445 kg
Wheel Load	4,208 kg	6,146 kg	8,111 kg
Fifth Wheel Load (including gooseneck)	14,437 kg	19,914 kg	25,510 kg

03.05.001



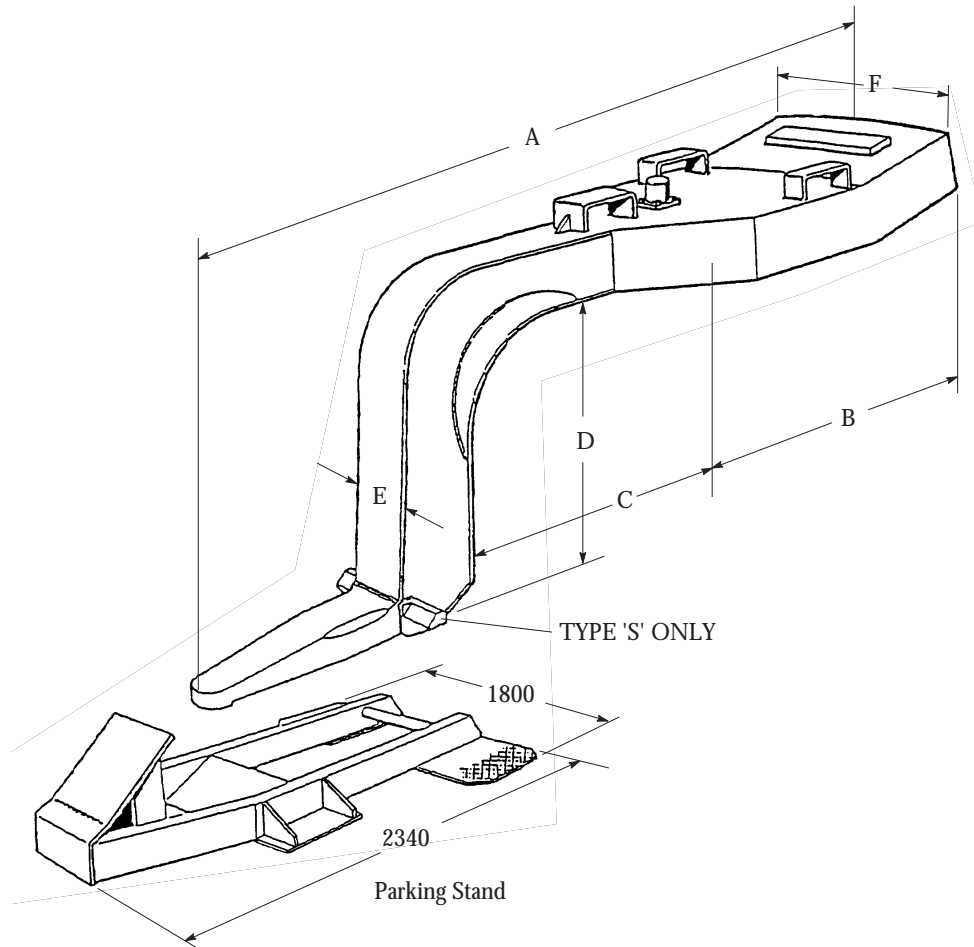
Technical Data	20'/25 Ton	20'/40 Ton
Nominal Capacity (Ton)	25	40
Container Capacity (Ton)	25	40
Load Configuration	1 x 20'	2 x 20'
Tare Weight (kg)	2,370	3,300
Platform Size - L x W	6,118 x 2,500 mm	6,118 x 2,500 mm
Platform Height (H)	650 mm	650 mm
Gradiability (%)	33	33
Ground Clearance (C)	250 mm	250 mm
Rear Overhang (R)	400 mm	400 mm
Axle Base (B)	1,600 mm	1,300 mm
Wheel Base (D)		
Wheel Diameter/Width	540 x 200	540 x 400
Axle Load	18,350 kg	28,828 kg
Wheel Load	4,588 kg	7,207 kg
Fifth Wheel Load (including gooseneck)	11,520 kg	16,672 kg

40' Rolltrailer



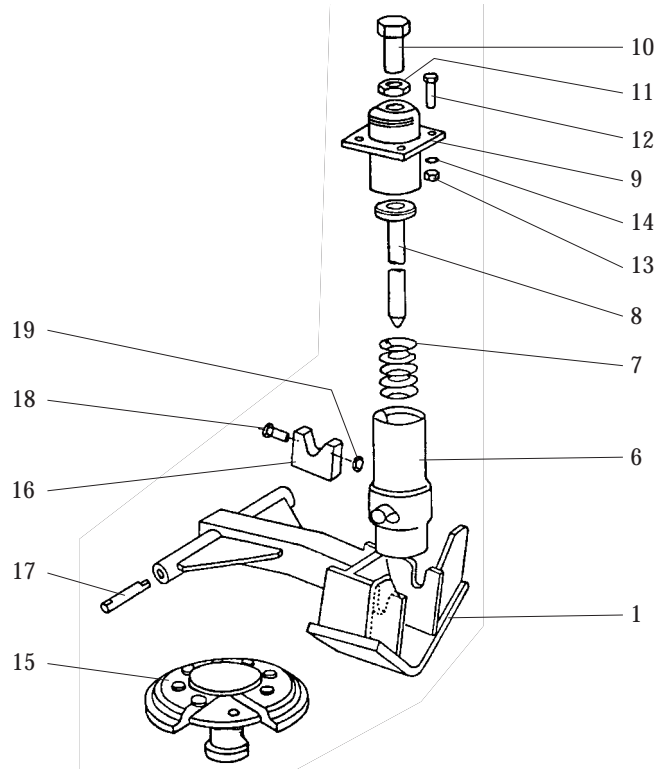
**2.11.2: GOOSENECKS**

Gooseneck



Type	Max. Fifth Wheel Load (Tons)	Max. Trailer Weight (Tons)	A (mm)	B (mm)	C (mm)	D (mm)	E (mm)	F (mm)	Dead Weight Approx. (kg)
20 F	20	50	4330	1280	1740	1200	340	900	2440
20 SF	20	50	4350	1300	1740	1200	340	900	2516
25 F	25	80	4430	1340	1740	1235	340	900	2840
25 SF	25	80	4450	1360	1740	1235	340	900	2920
30 SF	32	120	4460	1410	1740	1350	340	900	3170

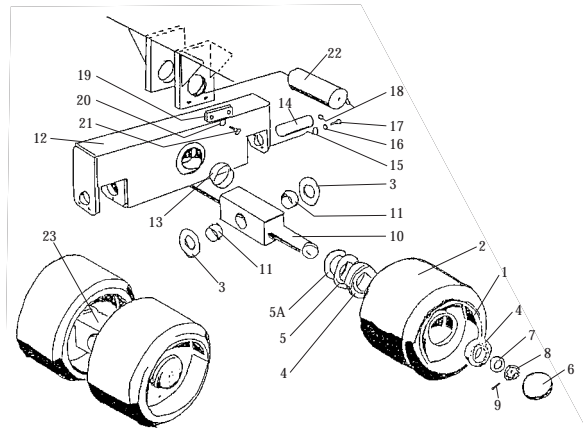
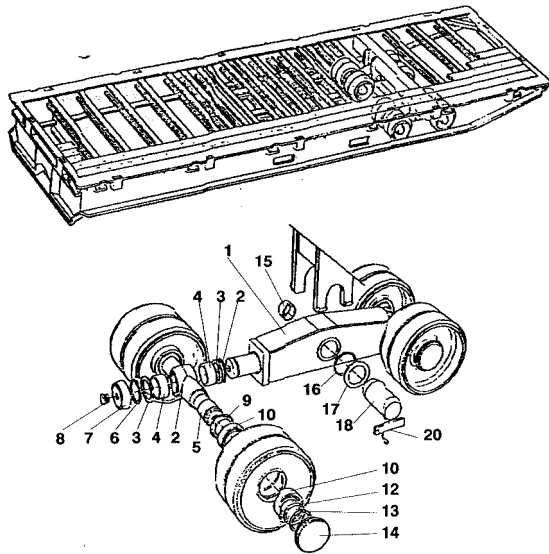


**Gooseneck Brake Complete**


1. Swivelling Key	12. Spanner Bolt
6. Spring Socket	13. Hexagon Nut
7a. Belleville Spring Washer SH 25 Dimensions 60 x 30, 5 x 3.5	14. Spring Ring
7b. Belleville Spring Washer SH 16 Dimensions 60 x 30, 5 x 3.0	15. King-Pin Complete with Mounting Plate
8. Bolt Complete	16. Bearing
9. Covering Cap	17. Bolt
10. Spanner Bolt	18. Spanner Bolt
11. Hexagon Nut	19. Hexagon Nut

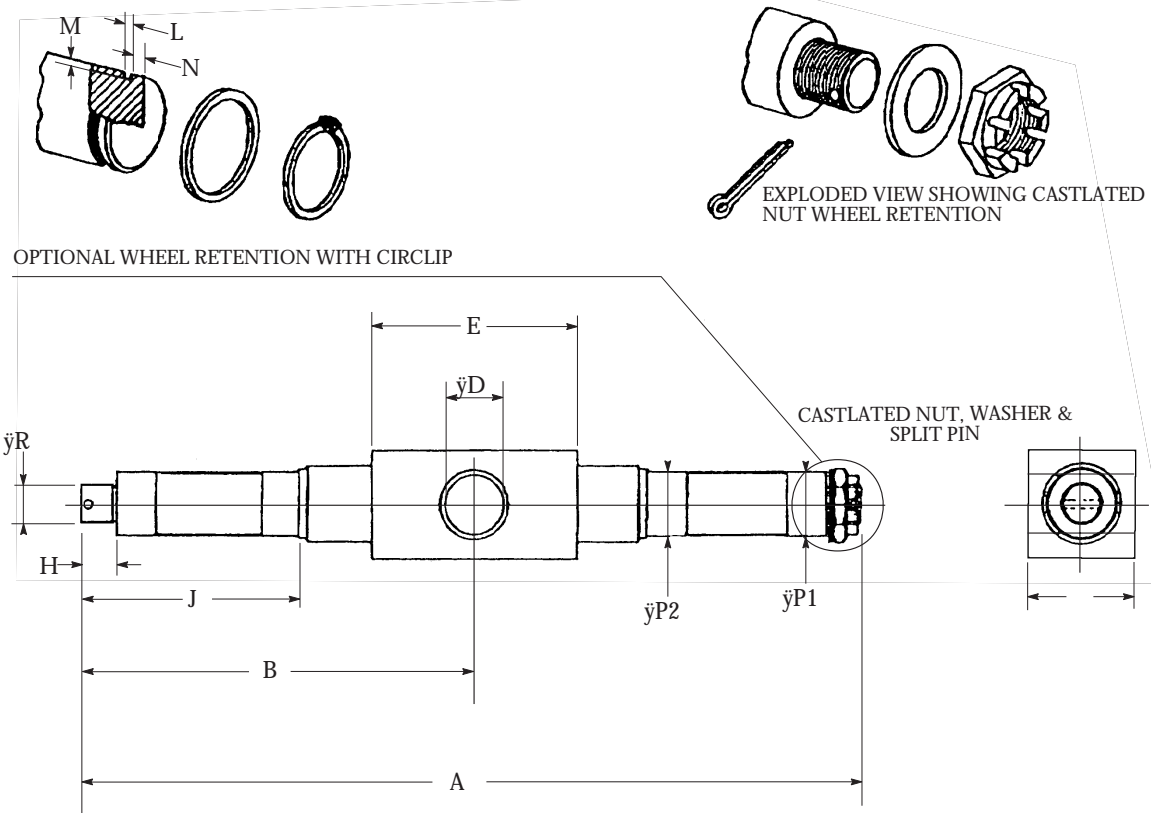
**2.11.3: RUNNING GEAR/AXLE ASSEMBLIES**

<b>40'/40-Ton Rolltrailer Running Gear/Axle Assembly</b>	<b>40'/60-Ton Rolltrailer Running Gear/Axle Assembly</b>
--	--



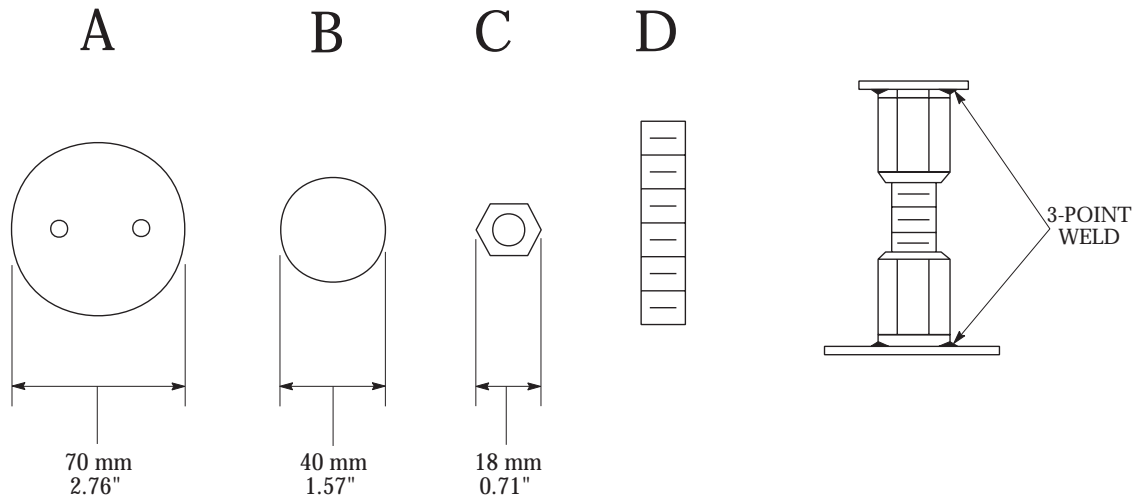
1. Rocker	8. Plug	15. Bushing	1. Rim	8. Locking Nut	16. Washer
2. O-ring	9. Sealing Ring	16. O-ring	2. Rubber Tire	9. Locking Pin	17. Screw
3. Supporting Ring	10. Bearings	17. Adjusting Washer	3. Washer	10. Wheel Axle	18. Greasing Nipple
4. Bearing Ring	11. Wheel	18. Pin	4. Ball Bearing (Roller Bearing)	11. Axle Bushing	19. Locking Plate
5. Pendular Axle	12. Supporting Ring	19. Axle Guard	5. Sealing Ring	12. Rocker Arm	20. Washer
6. Locking Ring	13. Locking Ring	20. Clamping Sleeve	5a. Dust Seal	13. Rocker Arm Bushings	21. Screw
7. Metal Cap	14. Hub Cap		6. Hub Cap	14. Axle Bolt	22. Rocker Arm Bolt

Axle Assembly

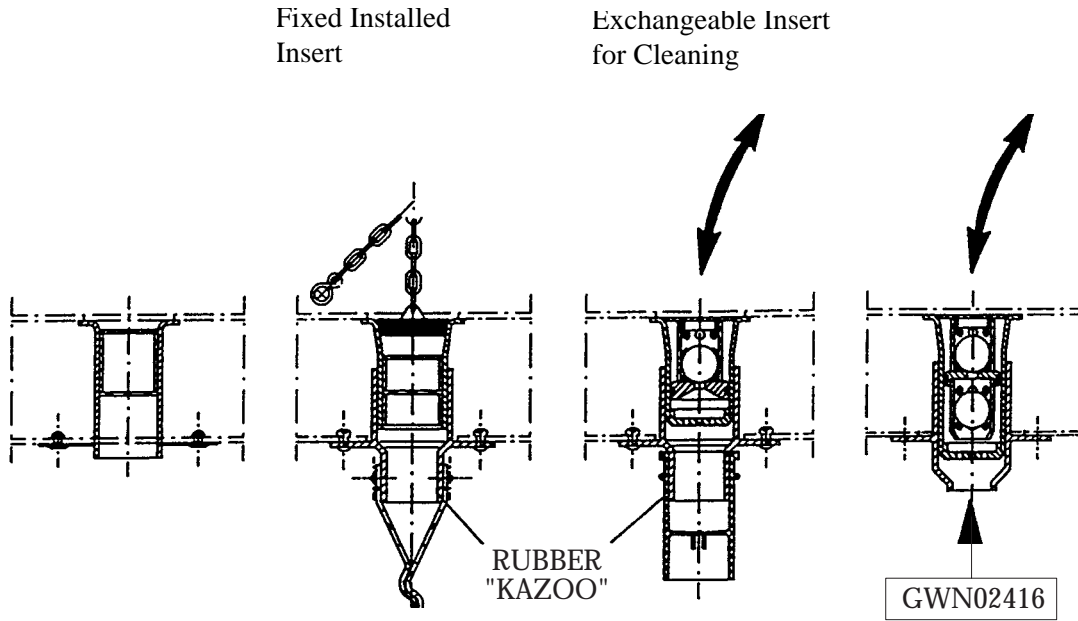


## 2.12 Miscellaneous Body Parts

### 2.12.1: MISCELLANEOUS



1. 73RFJACK Delamination Fastner
- A. Interior Lining Disc, Stainless, 1.5 mm (0.059")
- B. Exterior Sidewall Disc, Stainless, 1.5 mm (0.059")
- C. Nut, Galvanized, 30 mm (1.181")
- D. Plastic Rod, Threaded, 65/70/90 mm (2.56/2.76/3.54")



1950

Open Drain

PROBLEMS
difficult to clean open not air-tight

1970

Drain with plug  
and kazoo

PROBLEMS
lost plug lost Kazoos difficult to clean not air-tight

1990

Automatic Drain®  
(worldwide  
patent)

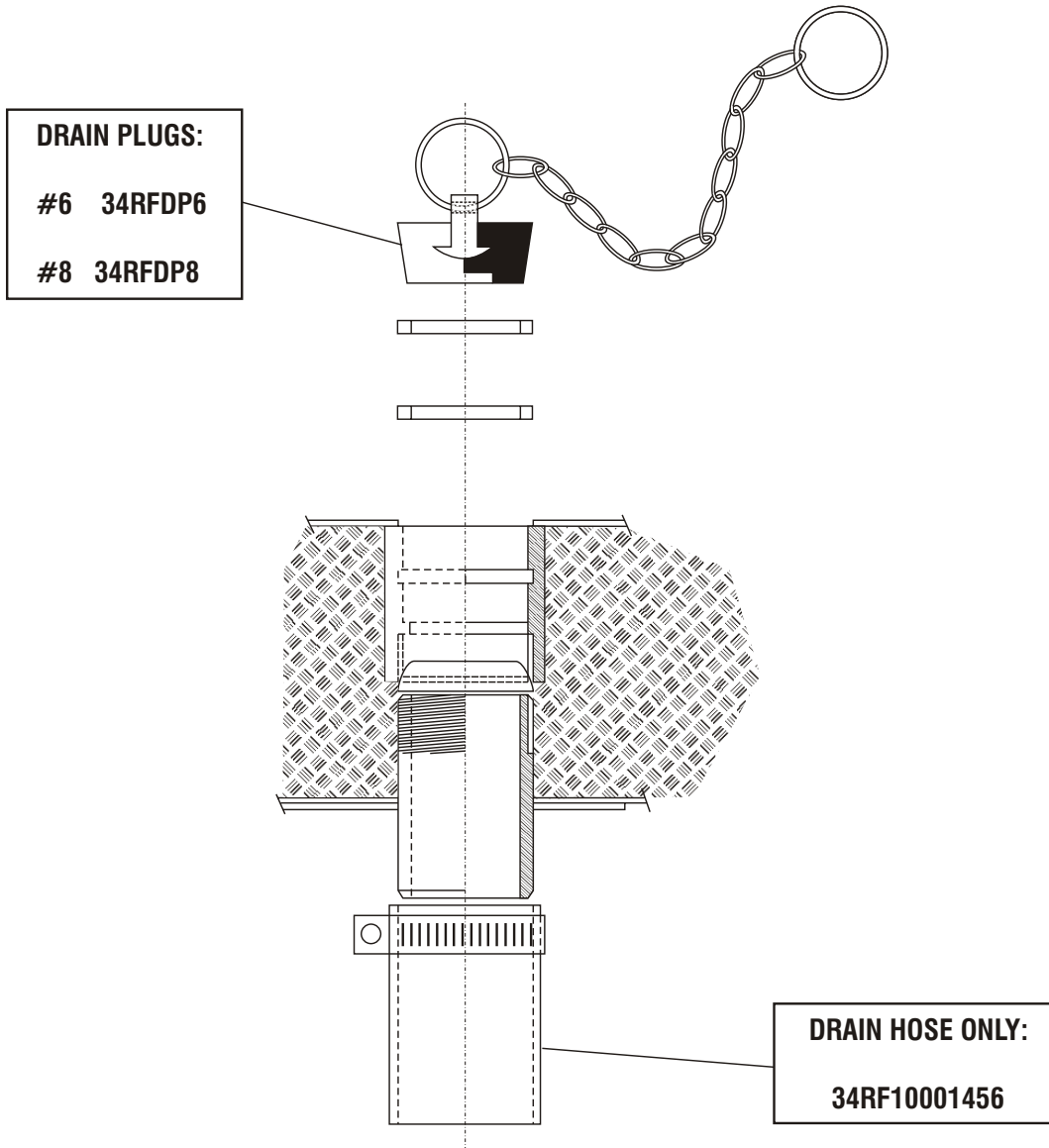
LESS PROBLEMS
no lost plugs lost Kazoos easy to clean air-tight

1996

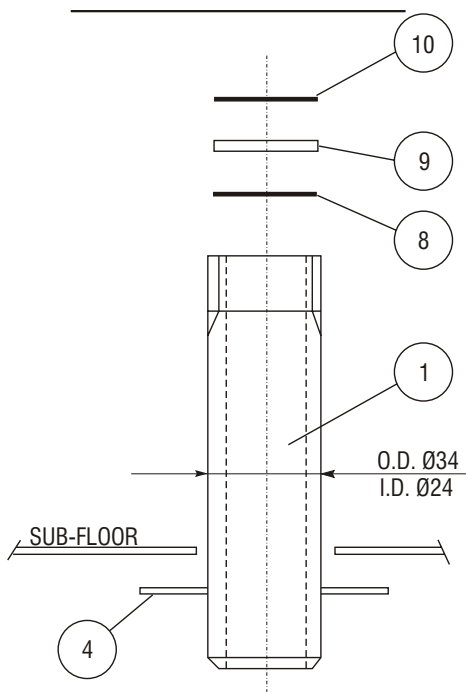
Automatic  
self-closing drain

NO PROBLEMS
no lost plugs no lost Kazoos easy to clean air-tight

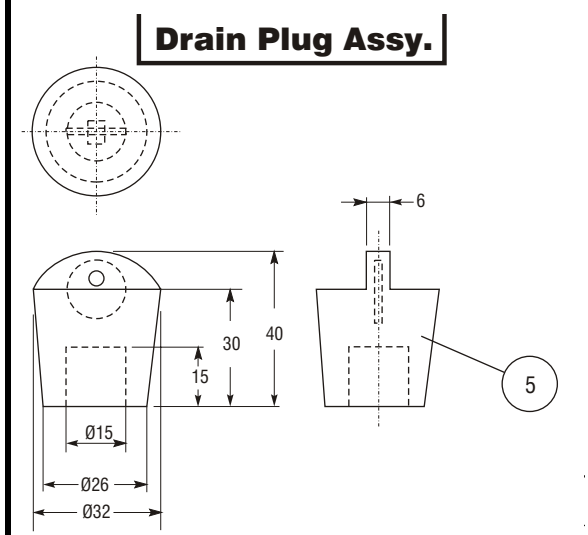
1. GWN02416 Evolution of a Drain



1. 34RF10005262 Complete Assembly



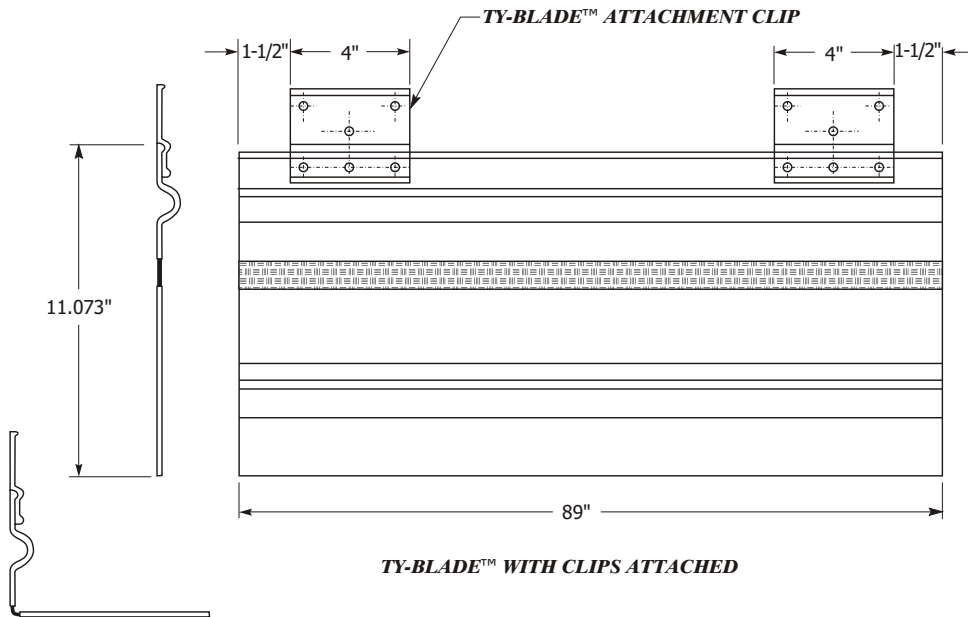
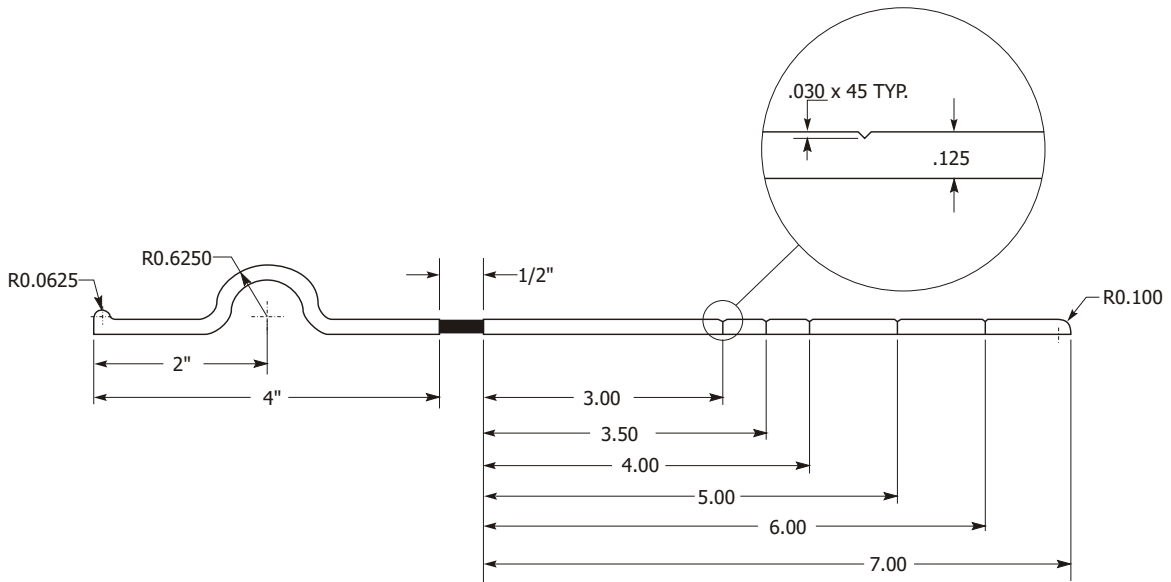
10	1948-034	Metal Plate
9	1948-067	Ring
8	1948-064	Mesh
4	1948-024-02	Drain Cover
5	40RF0948102	Fruehauf Drain Plug Assy.
1	1948-202	Drain Pipe



1. 40RF194820702 Drain Pipe

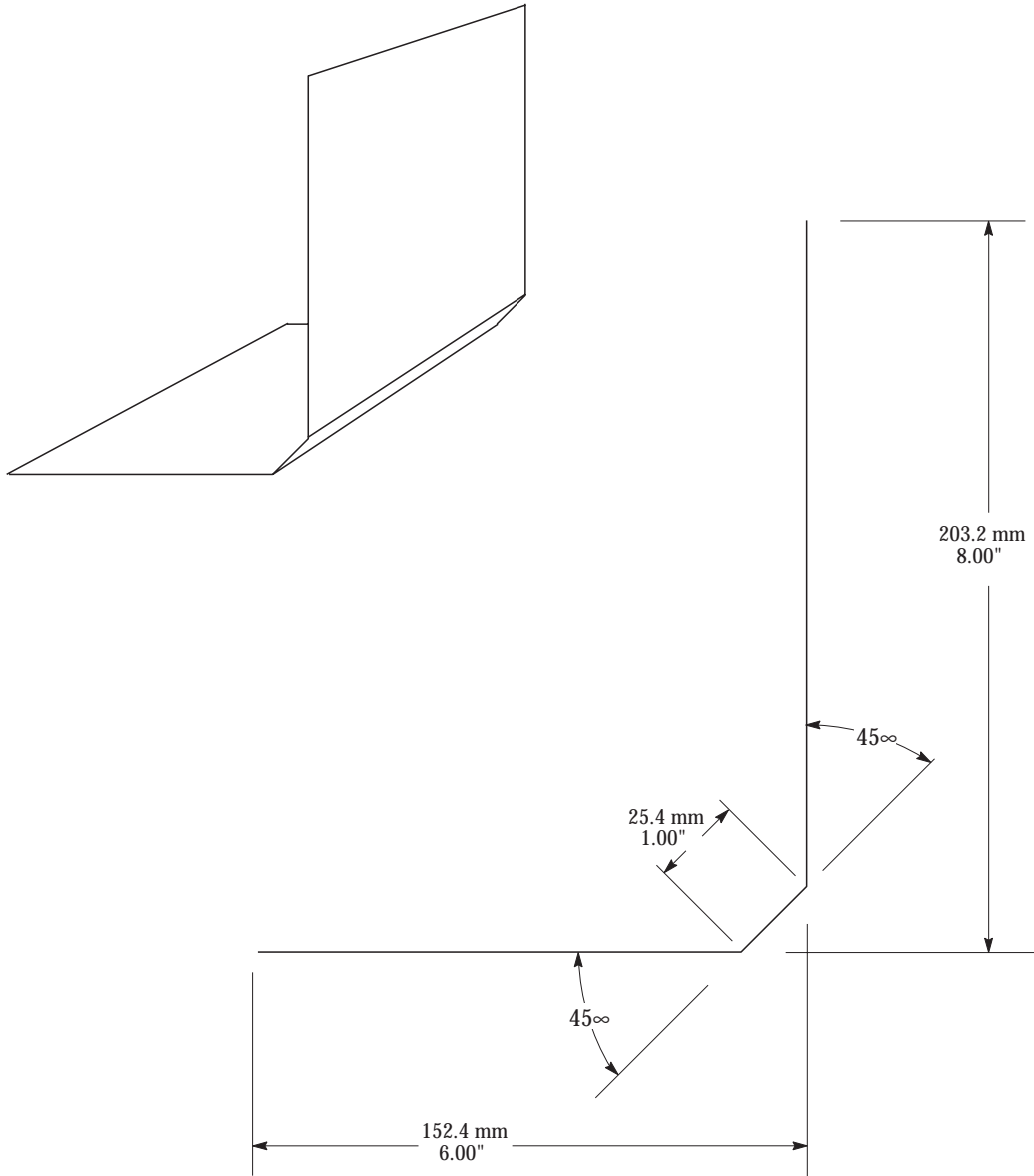
1. 40RF1948102 Drain Plug Assy.

2: Body Parts

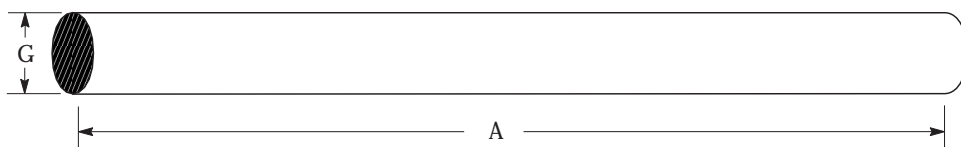


1. 73RFFNITB897 Ty-Blade

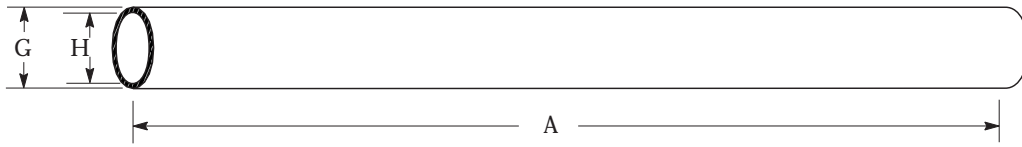




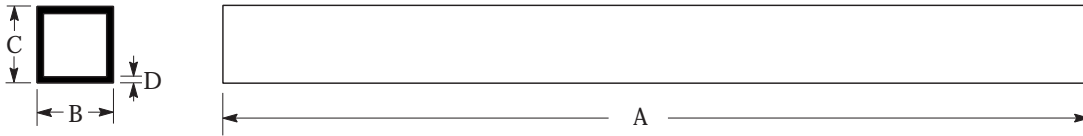
1. 53RFANG6X7AD Air Deflector  
 Length: 96" (2438.4 mm)  
 Thickness: 0.25" (6.35 mm) & 0.1875" (4.76 mm)  
 Material: Aluminum



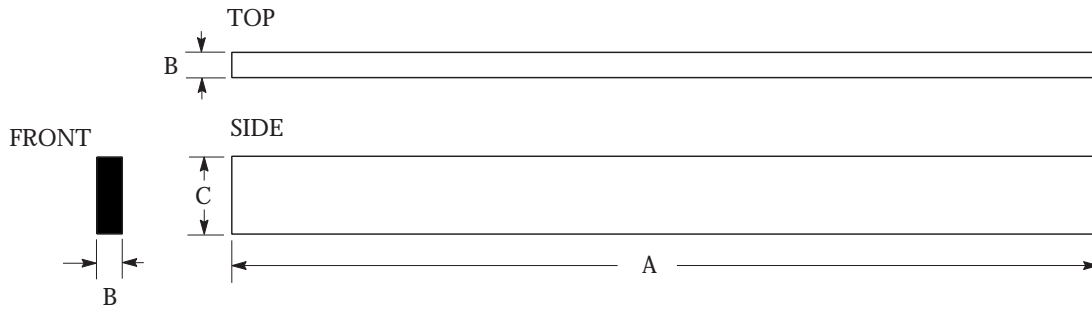
1. Round Stock



1. Tubes



1. Square Tubes



1. Flat Bars

We stock a wide variety of all fabricated parts. Please do not hesitate to ask for any size.





























