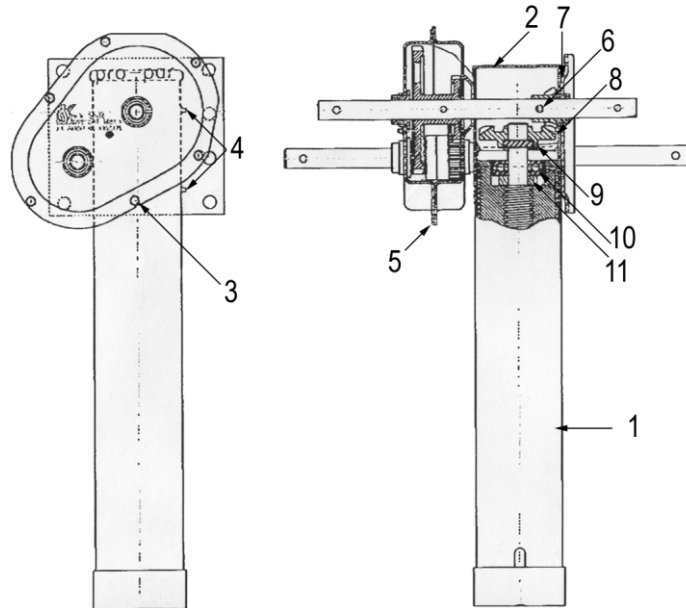


11.1: Pro-Par Replacement Landing Gear Supports .....	2
11.2: MTR Replacement Landing Gear Supports.....	3
11.3: Jost Landing Gear Supports .....	6
11.4: Binkley Landing Gear Supports .....	10
11.5: Kysor Westran Landing Gear Supports .....	16
11.6: Holland Landing Gear Supports .....	20
11.7: KIC Landing Gear Supports .....	21
11.8: Landing Gear Brackets .....	22
11.9: Landing Gear Bracing .....	24
11.10: Landing Gear Brace Lugs .....	27
11.11: Sand Shoes, Wheels, & Axles .....	28
11.12: Crank Handles & Holders .....	33

## 11.1 Pro-Par Replacement Landing Gear Supports

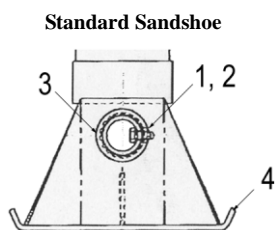
### 11.1.1: EXPLODED VIEW OF PROK SERIES LANDING GEAR SUPPORTS



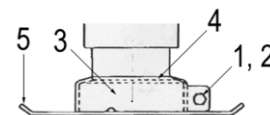
### 11.1.2: DETAIL OF PROK SERIES LANDING GEAR SUPPORTS

Key	Part Number	Qty	Description
1	KYS751919	1	Upper leg
2	KYS751569	1	Top cover
3	KYS201060	8	Screw 1-4"-20 x 1/2"
4	KYS727000	2	Grease fitting
5	KYS743015	1	Assembly cover, gear & shaft
6	KYS725002	1	Roll pin 3/8" x 1-3/8"
7	KYS73011	1	Pinion gear
8	KYS730060	1	Bevel gear
9	KYS725046	1	Groove pin 5/6" x 1-1/2"
10	KYS729108	1	Ball bearing
11	KYS730007	1	Collar

### 11.1.3: DETAIL OF PROK SERIES SANDSHOES



Cushion Foot Sandshoe






1. -----	Bolt 3/8"-16 x 3/4"
2. -----	Lock Nut 3/8"-16
3. KYS750005	Axle
4. KYS730143	10" x 10" Shoe



1. -----	Bolt 3/8"-16 x 3/4"
2. -----	Lock Nut 3/8"-16
3. KYS728003	Shock pad
4. KYS730638	Strap
5. KYS730640	Collar and plate

## 11.2 MTR Replacement Landing Gear Supports

### 11.2.1: MTRK STYLE SYMMERTICAL MOUNT LANDING GEAR SUPPORTS

Part Number	Description	Figure
MTRK50	Set includes gear box & non-gear box only NO FOOTWARE	
MTRK50-1	Non-gear box leg	
MTRK50-2	Gear box leg	
MTRK51PLT	Complete kit with standard Fruehauf style sand shoe 16.88" travel	
MTRK51PLT-1	Non-gear box leg	
MTRK51PLT-2	Gear box leg	
For inboard & outboard mounting High efficiency lift screw (1.93 turn per traveling inch) Complete with 4-hole mounting bracket, gear connecting shaft, sand shoes, brace lugs, crank handle, & clip.		
MTRK52	Complete kit with Fruehauf style cushion foot 16.88" travel	
MTRK52-1	Non-gear box leg	
MTRK52-2	Gear box leg	

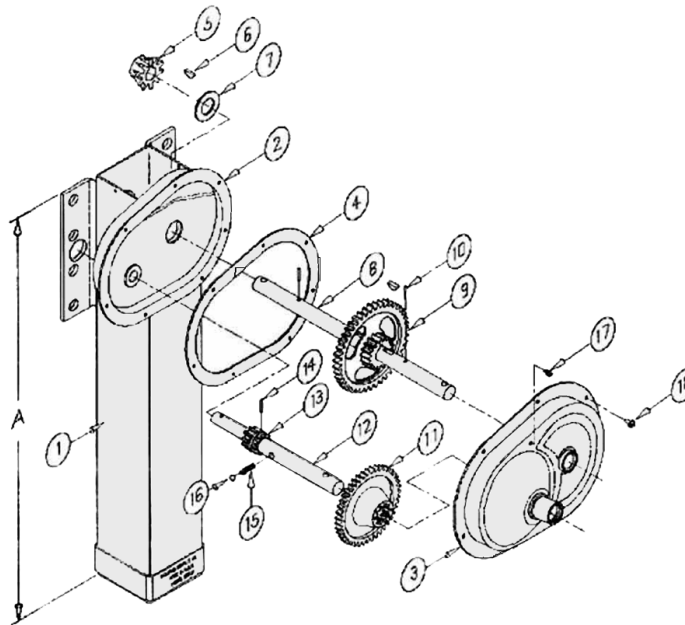
### 11.2.2: MTRK STYLE OFFSET MOUNT LANDING GEAR SUPPORT (UNIVERSAL)

Part Number	Description	Figure
MTRK51UNV	Complete kit with standard Fruehauf style sand shoe 16.88" travel	
MTRK51UNV-1	Non-gear box leg	
MTRK51UNV-2	Gear box leg	
For inboard & outboard mounting High efficiency lift screw (1.93 turn per traveling inch) Complete with 4-hole mounting bracket, gear connecting shaft, sand shoes, brace lugs, crank handle, & clip.		
Developed to be interchangeable with most competitor's legs which have offset mounting		

### 11.2.3: EXPLODED VIEW OF MTRB SERIES LANDING GEAR SUPPORTS



Manufactured exclusive for  
Wabash by Binkley


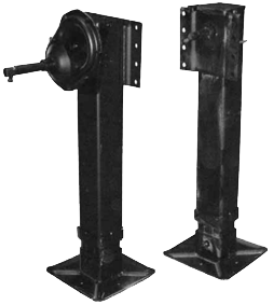



### 11.2.4: DETAIL OF MTRB SERIES LANDING GEAR SUPPORTS

Key	Part Number	Qty	Description
1	LG2211-012 LG2211-02	1	Housing with gearbox half 17RCF/17T axle socket Housing with gearbox half 17T & 19T RCF/19T axle socket
2	XB-LG0945-100	1	Gearbox half assembly inside
3	XB-LG0944	1	Gearbox half assembly outside
4	XB-LG0891	1	Gearbox gasket
5	BINLG1823-01	1	Pinion gear
6	BINXB-KEY-018-02	2	Woodruff key
7	XB-PW-015-19	1	Flat washer
8	LG2147-02 LG2187-03	1	Jack shaft, RH conventional Jack shaft, RH unconventional
9	LG0936-51	1	Output gear
10	BINXB-SP-014-27	1	Spring pin
11	LG0934	1	Input gear, high
12	LG0910	1	Shift shaft
13	LG0933-01	1	Input gear, low
14	XB-GP-052-11	1	Groove pint
15	XB-SPG-020-36	1	Shift lock spring
16	XB-BAL-023-07	1	Shift lock ball
17	XB-GRF-022-16	1	Grease fitting
18	XB-STS-008-11	7	Self tapping screw
19	LG2140	1	Shift shaft extention kiet (not shown)

All parts with BIN prefix are stocking parts. All other parts can be ordered.

### 11.2.5: MTRB SYMMETRICAL LANDING GEAR SUPPORTS

Part Number	Type	Travel	Footware	Figure
MTRB50	Set	17"	None	
MTRB50-1	Non-gear box	17"	None	
MTRB50-2	Gear box	17"	None	
Set includes gear box and non-gear box only. <b>NO FOOTWARE.</b>				
MTRB51	Set	17"	10" x 10" Cushion shoe	
MTRB51-1	Non-gear box	17"	10" x 10" Cushion shoe	
MTRB51-2	Gear box	17"	10" x 10" Cushion shoe	
Set includes crank handle, crank handle holder, brace lugs, and cross shafts.				
MTRB52	Set	17"	10" x 12" x 4" Sand shoe	
MTRB52-1	Non-gear box	17"	10" x 12" x 4" Sand shoe	
MTRB52-2	Gear box	17"	10" x 12" x 4" Sand shoe	
Set includes crank handle, crank handle holder, brace lugs, and cross shafts.				

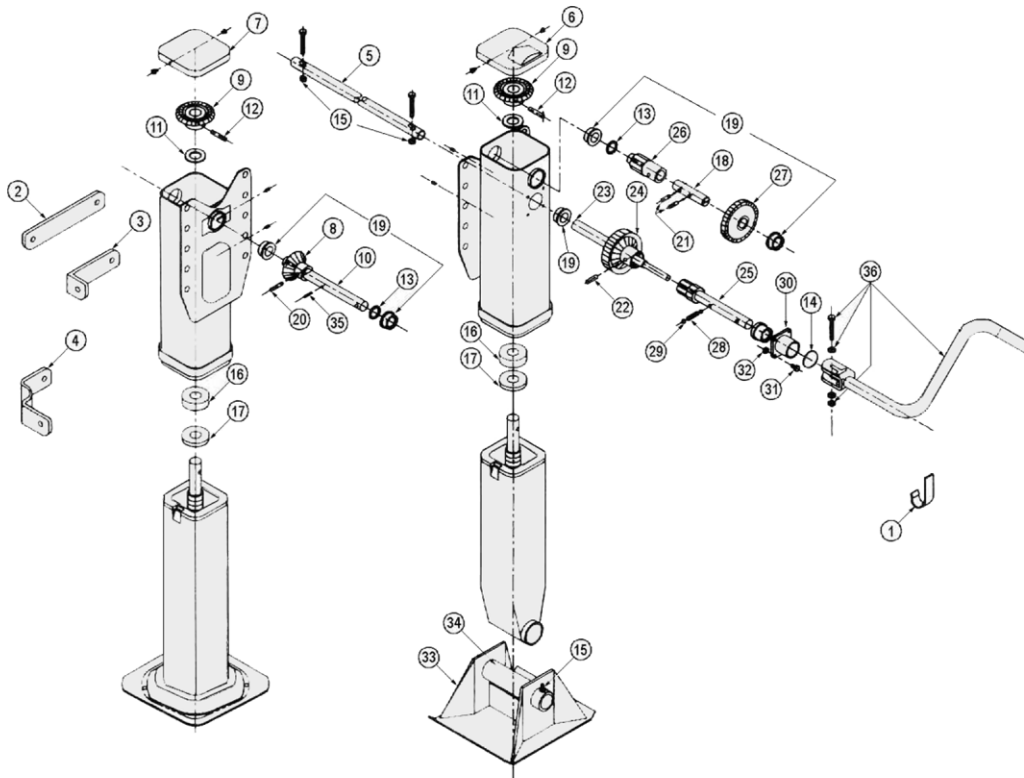
## 11.3 Jost Landing Gear Supports



### 11.3.1: EXPLODED VIEW OF JOST LANDING GEAR

Landing Gear Models & Options				
Model	Mounting	Travel	Leg Assembly	
A400	Outside frame	14", 17", 19"	A400R	2-speed
			A400L	1-speed
A401	Inside frame	14", 17", 19"	A401L	2-speed
			A401R	1-speed

Foot Ware Options			
Description	Code	Description	Code
10" x 10" Cushion foot	G	10" x 10" x 4-1/2" Sand shoe	T
12" x 12" Cushion foot	G1	10" x 10" x 2" Sand shoe	T1
9" Diameter wheel	R	10" x 12" x 4-1/2" Sand shoe	T2
9" 3rd disc wheel	R1	10" x 12" x 2" Sand shoe	T3
10" x 10" Low profile cushion foot	G3	No Foot Ware	N/A



**11.3.2: DETAIL OF JOST LANDING GEAR**

Key	Part Number	Description
1	JOSB10261	Crank hanger
2	JOSC10262	Brace lug—flat
3	JOSC10263	Brace lug—90 degrees
4	JOSC10108	Brace lug—W standard
5	JOSB10066.68.4	Intermediate cross shaft
6	JOSC10217	Cover—2 speeds
7	JOSC10259	Cover—1 speed
8	JOSC10177	Pinion gear
9	JOSC10155	Bevel gear
10	JOSB10130	Pinion shaft—1 speed
11	JOSA10102	Thrust washer
12	JOSA10052.3	Groove pin
13	JOSA10218	Spacer washer
14	JOSA10283	Grease seal
15	A10038.7	Self locking nut
16	JOSA10033	Thrust bearing
17	JOSA10101	Collar
18	JOSA10212	Output shaft
19	JOSA10255	Bushing
20	JOSA10054-3	Roll pin—3/8" x 1-1/2"
21	JOSA10260.1	Spiral pin
22	JOSA10054.7	Roll pin—3/8" x 1-3/4"
23	JOSB10236	Output cluster shaft
24	JOSC10234	Output cluster gear
25	JOSC10233	Input gear shaft
26	JOSC10078	Output spur gear
27	JOSC10085	Input spur gear
28	JOSA10049	Detent spring
29	JOSA10048	Detent ball
30	JOSB10229	Shift housing
31	JOSA10230	Shift housing bolt
32	JOSA10038.6	Self locking nut
33	JOSC10035	Shoe—10" x 10" x 4-1/2" standard
34	JOSB10036	Shoe axle
35	A10054.6	Roll pin—1/4" x 1-1/4"
36	JOSC10592.2	Standard crank with hardware

**11.3.3: JOST 14" TRAVEL OUTSIDE MOUNT LANDING GEAR**

Part Number	Type	Footware	Features
JOSA400T-14	Set*	10" x 10" x 4-1/2" Sand shoe	Standard zerck fittings
JOSA400RT-14	Gear box		
JOSA400LT-14	Non-gear box		

\*Set includes cross shaft, crank handle & crank handle holder.

**11.3.4: JOST 17" TRAVEL OUTSIDE MOUNT LANDING GEAR**

Part Number	Type	Footware	Features
JOSA400T-17	Set*	10" x 10" x 4-1/2" Sand shoe	Standard zerk fittings
JOSA400RT-17	Gear box		
JOSA400LT-17	Non-gear box		
JOSA400G1-17	Set*	12" x 12" Cushion foot	Standard zerk fittings
JOSA400RG1-17	Gear box		
JOSA400LG1-17	Non-gear box		
JOSA400G3-17	Set*	10" x 10" Low profile cushion foot	Standard zerk fittings
JOSA400RG3-17	Gear box		
JOSA400LG3-17	Non-gear box		
JOSA400G-17-08	Set*	10" x 10" Cushion foot	65° zerk fittings
JOSA400RG-17-08	Gear box		
JOSA400LG-17-08	Non-gear box		
JOSA400G3-17-08	Set*	10" x 10" Low profile cushion foot	65° zerk fittings
JOSA400RG3-17-08	Gear box		
JOSA400LG3-17-08	Non-gear box		
JOSA400T-17-14	Set*	10" x 10" x 4-1/2" Sand shoe	Schneider spec'd.
JOSA400RT-17-14	Gear box		
JOSA400LT-17-14	Non-gear box		
JOSA400T1-17-14	Set*	10" x 10" x 2" Sand shoe	Schneider spec'd.
JOSA400RT1-17-14	Gear box		
JOSA400LT1-17-14	Non-gear box		

\*Set includes cross shaft, crank handle & crank handle holder.

**11.3.5: JOST 19" TRAVEL OUTSIDE MOUNT LANDING GEAR**

Part Number	Type	Footware	Features
JOSA400T-19	Set*	10" x 10" x 4-1/2" Sand shoe	Standard zerk fittings
JOSA400RT-19	Gear box		
JOSA400LT-19	Non-gear box		
JOSA400T1-19	Set*	10" x 10" x 2" Sand shoe	Standard zerk fittings
JOSA400RT1-19	Gear box		
JOSA400LT1-19	Non-gear box		
JOSA400T1-19-08	Set*	10' x 10" x 2" Sand shoe	65° zerk fittings
JOSA400RT1-19-08	Gear box		
JOSA400LT1-19-08	Non-gear box		
JOSA400G-19-08	Set*	10' x 10" Cushion foot	65° zerk fittings
JOSA400RG-19-08	Gear box		
JOSA400LG-19-08	Non-gear box		
JOSA400T1-17-14	Set*	10" x 10" x 2" Sand shoe	Schneider spec'd.
JOSA400RT1-17-14	Gear box		
JOSA400LT1-17-14	Non-gear box		

\*Sets include cross shaft, crank handle & crank handle holder.



**11.3.6: JOST 17" TRAVEL INSIDE MOUNT LANDING GEAR**

Part Number	Type	Footware	Features
JOSA40IT-17	Set*	10" x 10" x 4-1/2" Sand shoe	Standard zerk fittings
JOSA40IRT-17	Gear box		
JOSA40ILT-17	Non-gear box		
JOSA40IG-17	Set*	10" x 10" Cushion foot	Standard zerk fittings
JOSA40IRG-17	Gear box		
JOSA40ILG-17	Non-gear box		
JOSA40IG3-17	Set*	10" x 10" Low profile cushion foot	Standard zerk fittings
JOSA40IRG3-17	Gear box		
JOSA40ILG3-17	Non-gear box		
JOSA40IG2-17	Set*	12" x 12" Heavy duty "Roadrailer"	Standard zerk fitting
JOSA40IRG2-17	Gear box		
JOSA40ILG2-17	Non-gear box		
JOSA40IT1-17-08	Set*	10" x 10" x 2" Sand shoe	65° zerk fitting
JOSA40IRT1-17-08	Gear box		
JOSA40ILT1-17-08	Non-gear box		
JOSA40IG3-17-08	Set*	10" x 10" Low profile cushion foot	65° zerk fittings
JOSA40IRG3-17-08	Gear box		
JOSA40ILG3-17-08	Non-gear box		
JOSA40IT1-17-14	Set*	10" x 10" x 2" Sand shoe	Schneider Spec'd.
JOSA40IRT1-17-14	Gear box		
JOSA40ILT1-17-14	Non-gear box		

\*Sets include cross shaft, crank handle & crank handle holder.

**11.3.7: JOST 19" TRAVEL INSIDE MOUNT LANDING GEAR**

Part Number	Type	Footware	Features
A40IT-19	Set*	10" x 10" x 4-1/2" Sand shoe	Standard zerk fittings
JOSA40IRT-19	Gear box		
JOSA40ILT-19	Non-gear box		

\*Sets include cross shaft, crank handle & crank handle holder.

## 11.4 Binkley Landing Gear Supports

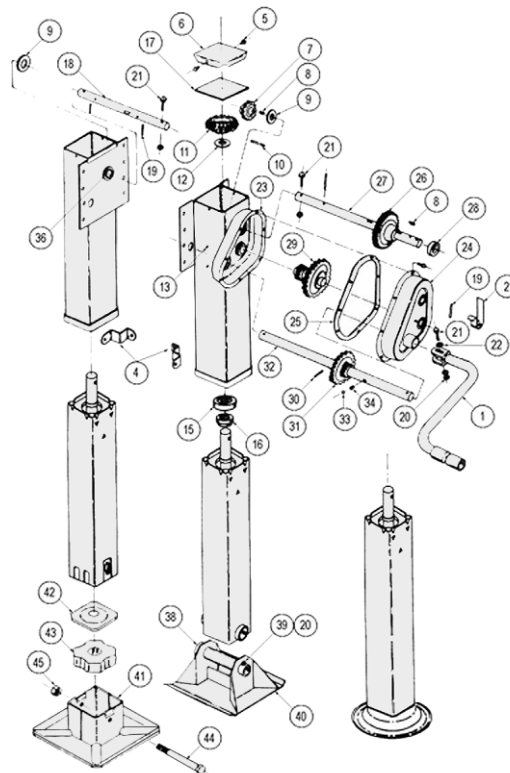


### 11.4.1: BINKLEY MODEL 51,000 LANDING GEAR

Part Number	Type	Travel	Footware
BINLG4001-30000000	Set*	13"	10" x 10" x 4-1/2" Sand shoe
BINLG4001-31000000	Non-gear box	13"	
BINLG4001-32000000	Gear box	13"	
BINLG4001-70000031	Set*	17"	10" x 10" x 4-1/2" Sand shoe
BINLG4001-71000000	Non-gear box	17"	
BINLG4001-72000000	Gear box	17"	
BINLG4198-700000031	Set*	17"	10" Round cushion foot
BINLG4198-710000000	Non-gear box	17"	
BINLG4198-720000000	Gear box	17"	
BINLG4198-706000000	Set*	17"	10" Round can style cushion foot
BINLG4198-716000000	Non-gear box	17"	
BINLG4198-726000000	Gear box	17"	
BINLG442B-705000000 I-beam mount	Set*	17"	10" x 10" Reinforced cushion foot

\*Sets include cross shaft, crank handle & 2 brace lugs.

### 11.4.2: EXPLODED VIEW OF BINKLEY MODEL 51,000 LANDING GEAR



**11.4.3: DETAIL VIEW OF BINKLEY MODEL 51,000 LANDING GEAR**

Item	Part Number	Qty	Description
1	See Section 12.10	1	Universal crank
2	BINLG0085	1	Crank hanger
3	BINLG0094-6625	1	Cross drive shaft (not shown)
4	BINLG0266	2	Strut bracket
5	XB-ST5-008-11	11	Screw—cover & gasket
6	XA-LG0880	2	Cover
7	BINLG1823-01	2	Pinion gear
8	BINXB-KEY-018-02	3	Woodruff key
9	XB-PW-016-19	2	Thrust washer
10	BINXB-GP-052-21	2	Groove Pin
11	BINLG0570-01	2	Bevel Gear
12	XB-PW-016-62	2	Washer
13	XB-GRF-022-16	5	Grease fitting
14	XB-LG0668	1	Rubber seal—behind gear box (not shown)
15	XB-BRG-013-77	2	Thrust Bearing
16	BINLG0544	2	Collar
17	XB-LG0893	2	Cover gasket
18	LG0927	1	Jack shaft L.H. universal mount
	LG0946	1	Jack shaft L.H. I-beam mount
	LG0948	1	Jack shaft L.H. reverse mount
19	BINXB-SP-014-27	4	Roll pin
20	XB-SLN-012-04	5	Self-locking nut
21	XB-HHC-050-42	3	Bolt-crank & cross drive
22	XB-PW-016-03	2	Flat washer
23	XB-LG0662	1	Gear box half—inside
24	BINLG0663	1	Gear box half—outside
25	BINLG0428	1	Gasket
26	BINLG0543-01	1	Output gear
27	LG0928	1	Jack shaft R.H. universal mount
	LG0947	1	Jack shaft R.H. I-beam mount
	LG0949	1	Jack shaft R.H. reverse mount
28	BINLG0219-01	1	Spacer bushing
29	BINLG0542-01	1	Idler gear
30	XB-SP-014-07	1	Groove pin
31	BINLG0541-01	1	Input gear
32	PEN03-509	1	Shift shaft universal mount
	LG0371-01	1	Shift shaft I-beam mount
33	BINBAL-023-01	1	Shift lock ball
34	BINXB-SPG-020-02	1	Shift lock spring
35	BINLG0658-01	1	Shift lock boss (press fit) (not shown)
36	XB-LG0219-02	2	Bushing
37	BINLG0659-01	4	Boss press fit—G.B. (not shown)
38	LG0070-02	2	Shoe axle
39	XB-HHC-050-69	2	Hex HD bolt
40	See Sand Shoe Section		See Sand shoe Section 12.9.1
41	BINLG0732-01	2	R.C.F. 10" x 10"
42	BINLG0725	2	Cushion foot plate
43	BINLG0726	2	Cushion foot rubber
44	XB-HHB-050-70	2	Hex HD bolt
45	XBSP0012-10	2	Hex HD nut

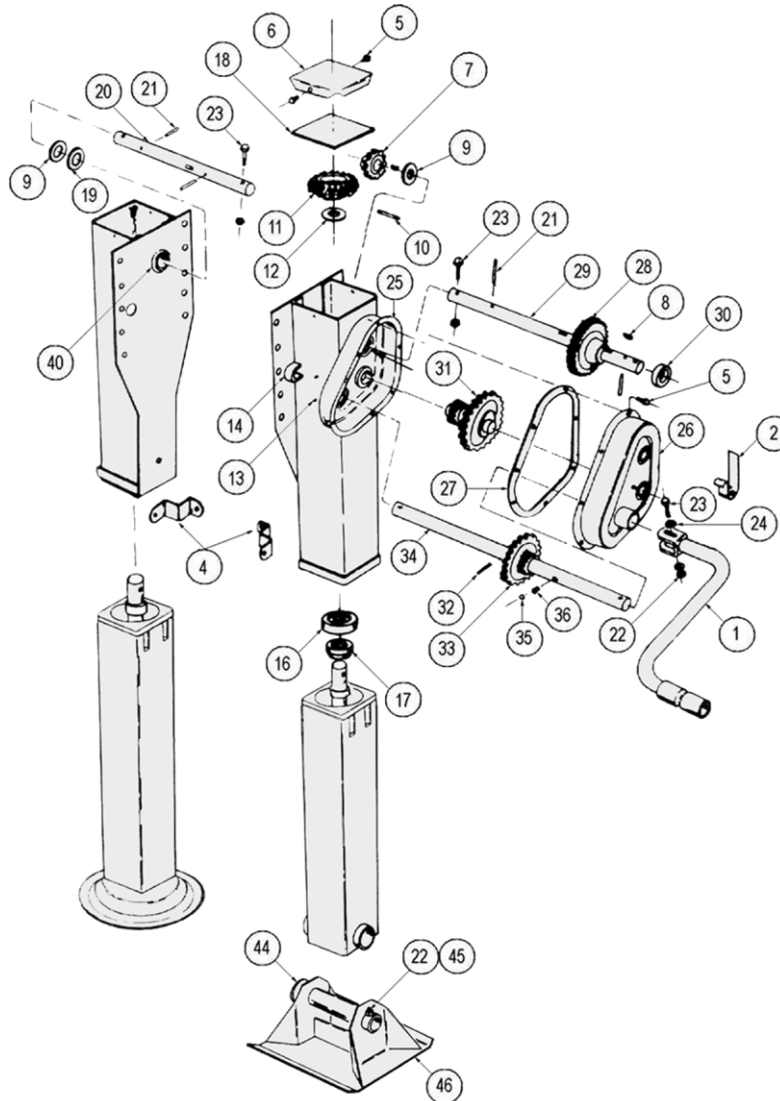
All parts with a BIN prefix are stocking parts. All other parts can be ordered.

**11.4.4: BINKLEY MODEL 50,000 LANDING GEAR**

Part Number	Type	Travel	Footware
BINLG5001-70000031	Set*	17"	10" x 10" x 4-1/2" Sand shoe
BINLG5001-71000000	Non-gear box	17"	10" x 10" x 4-1/2" Sand shoe
BINLG5001-72000000	Gear box	17"	10" x 10" x 4-1/2" Sand shoe

\*Sets include crank handle, cross shaft & brace lug.

**11.4.5: EXPLODED VIEW OF BINKLEY MODEL 50,000-3 LANDING GEAR**



**11.4.6: DETAIL OF BINKLEY MODEL 50,000-3 LANDING GEAR**

Item	Part Number	Qty	Description
1	See Section 12.10	1	Universal crank
2	BINLG0085	1	Crank hanger
3	BINLG0094-6625	1	Cross drive shaft (not shown)
4	BINLG0266	2	Strut bracket
5	PP00080-11	11	Screw-cover & gear box
6	BINLG0264	2	Cover
7	BINLG0531-02	2	Pinion gear
8	PP0018-02	3	Woodruff key
9	PP0016-19	2	Thrust washer
10	PP0052-21	2	Groove pin
11	BINLG0570-01	2	Bevel gear
12	PP0016-62	2	Washer
13	PP0022-08	5	Grease fitting
14	LG1364	1	Shift shaft support
15	LG0668	1	Rubber seal-behind gear box (not shown)
16	PP0013-77	2	Thrust bearing
17	BINLG0544	2	Collar
18	LG0413	2	Cover Gasket
19	PP0016-14	1	Thrust washer L.H.
20	BINLG0259	1	Jack shaft L.H. universal mount
	LG0369-01	1	Jack shaft L.H. I-beam mount
21	PP0014-27	4	Roll pin
22	PP0050-42	5	Self-locking nut
23	PP0012-04	3	Bolt-crank & cross drive
24	PP0016-03	2	Flat washer
25	LG0662	1	Gear box half—inside
26	BINLG0663	1	Gear box half—outside
27	BINLG0428	1	Gasket
28	BINLG0543-01	1	Output gear
29	BINLG0260	1	Jack shaft R.H. universal mount
	LG0370-01	1	Jack shaft R.H. I-beam mount
30	BINLG0219-01	1	Spacer bushing
31	BINLG0542-01	1	Idler gear
32	PP0014-07	1	Groove pin
33	BINLG0541-01	1	Input gear
34	PEN03-509	1	Shift shaft universal mount
	LG0371-01	1	Shift shaft I-beam mount
35	PP0023-01	1	Shift lock ball
36	PP0020-02	1	Shift lock spring
37	LG0658	1	Shift lock boss (press fit)
38	LG0559	1	Double step boss (not shown)
39	LG1570	1	Retainer (not shown)
40	BINLG0219	2	Bushing
41	LG0660	1	Step Boss G.B. to HSG. press fit
42	LG0659	4	Boss press fit—G.B. (not shown)
43	LG0553	1	Gear box assembly—complete universal
44	LG0070-02	2	Shoe axle
45	PP0050-69	2	Hex HD bolt
46	LG0050	2	See Sand Shoe Section 12.9.1

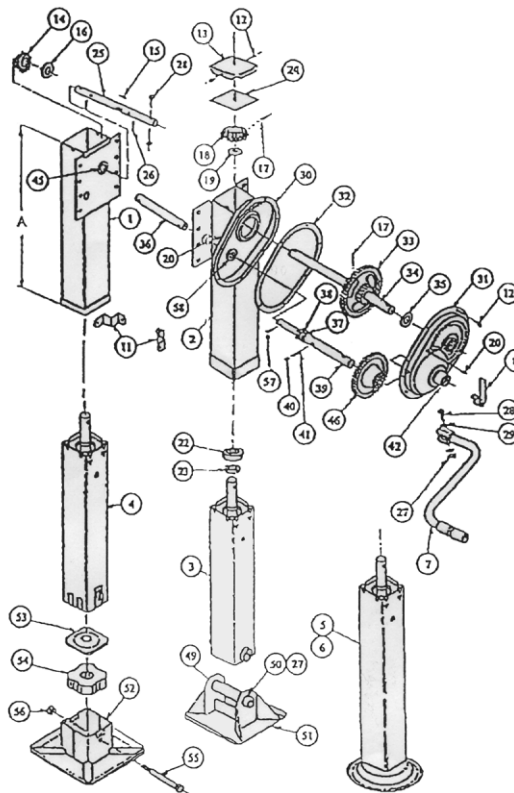
All parts with BIN prefix are stocking parts. All other parts can be ordered.

**11.4.7: BINKLEY "FAST GEAR" LANDING GEAR**

Part Number	Type	Travel	Footware
BINFG442B-705S00396	Set*	17"	10" x 10" Cushion foot

\* Sets include crank handle, cross shaft & brace lug

**11.4.8: EXPLODED VIEW OF BINKLEY "FAST GEAR" LANDING GEAR**



Assemblies & Components						
QTY	Description	13.5" Travel A=25—9/16"	15.5" Travel A=26—9/16"	17" Travel A=28-1/16"	17" Travel A=30—1/16"	19" Travel A=30—1/16"
1	Upper housing LH	LG0888-01	LG0888-04	LG0888-02	LG0888-03	LG0888-03
2	Upper housing RH	LG1739-01	LG1739-04	LG1739-02	LG1739-03	LG1739-03
3	Retract tube assembly	LG0914-01	LG0914-04	LG0914-02	-----	LG0914-03
4	Retract tube assembly	LG0884-01	LG0884-05	LG0884-04	LG0884-02	LG0884-03
5	Retract tube assembly	LG624-07	-----	LG0624-10	LG0624-08	LG0624-09
6	Retract tube assembly	LG0624-01	-----	LG0624-11	LG0624-02	LG0624-03

**11.4.9: DETAIL OF BINKLEY "FAST GEAR" LANDING GEAR**

Item	Part Number	Description	Qty.	Item	Part Number	Description	Qty.
1-6	See chart on Page 12-12			33	XB-LG0936-10	Output gear	1
7	BINLG0083-01	Universal crank	1	34	LG0890	Jack shaft RH univ. mt.	1
8	BINLG0085	Crank hanger	1		LG1924	Jack shaft RH I-beam mount	1
9	LG0094	Cross drive shaft (not shown)	1		LG1926	Jack shaft RH reverse mount	1
10	LG0091	Strut brace (not shown)	4	35	XB-PW-016-51	Washer	1
11	BINLG0266	Strut bracket	2	36	LG0932	Shift shaft extension	1
12	XB-ST5-008-11	Screw, cover & gearbox	11	37	BINXB-GP-052-11	Groove pin	1
13	XA-LG0880	Cover	2	38	BINXB-LG0933-01	Input gear—low	1
14	BINLG1823-01	Pinion gear	1	39	LG0910	Shift shaft—universal mount	1
15	BINXB-KEY-018-02	Woodruff key	1		LG1925	Shift shaft—reverse mt.	1
16	XB-PW-016-19	Thrust washer	1	40	BINBAL-023-01	Shift lock ball	1
17	BINXB-GP-052-11	Groove pin	3	41	BINXB-SPG-020-02	Shift lock spring	1
18	BINLG0570-01	Bevel gear	2	42	BINLG0658-01	Shift lock boss	1
19	BX-PW-016-62	Washer	2	43	BX-LG0559	Double step boss (not shown)	1
20	XB-GRF-022-16	Grease fitting	5		44	XB-LG1570	Retainer (not shown)
21	XB-LG0943	Rubber gearbox seal (not shown)	1	45	LG0219-02	Bushing	2
22	BINXB-BRG-013-77	Thrust Bearing	2	46	XB-LG0934	Input gear—high	1
23	BINIG0544	Collar	2	47	XB-LG0659-01	Gearbox boss (not shown)	1
24	XB-LG0893	Cover gasket	2	48	LG0940	Gearbox assembly univ. (not shown)	1
25	LG0927	Jack shaft LH univ. mt.	1		49	LG0070-02	Shoe axle
	LG0946	Jack shaft LH I-beam mount	1	50	XB-HHC-050-69	Bolt, hex head	2
	LG0946	Jack shaft LH reverse mount	1	51	See Section 12.9 Sand shoes		
26	BINXB-SP-014-27	Roll pin	2	52-54	See Section 12.9 Sand shoes		
27	XB-SUN-012-04	Self locking nut	5	55	XB-HHC-050-70	Bolt, hex head	2
28	XB-HHC-050-42	Screw, hex, cap	3	56	XB-SP0012-10	Nut, hex head	2
29	XB-PW-015-03	Washer	2	57	XB-GP-052-49	Groove pin	1
30	XB-LG0945	Gearbox half—inside	1	58	XB-LG0931	Gearbox boss	1
31	XB-LG0944	Gearbox half—outside	1				
32	XB-LG0891	Gearbox gasket	1				

All parts with a **BIN** prefix are stocking parts. All other parts can be ordered.

## 11.5 Kysor Westran Landing Gear Supports

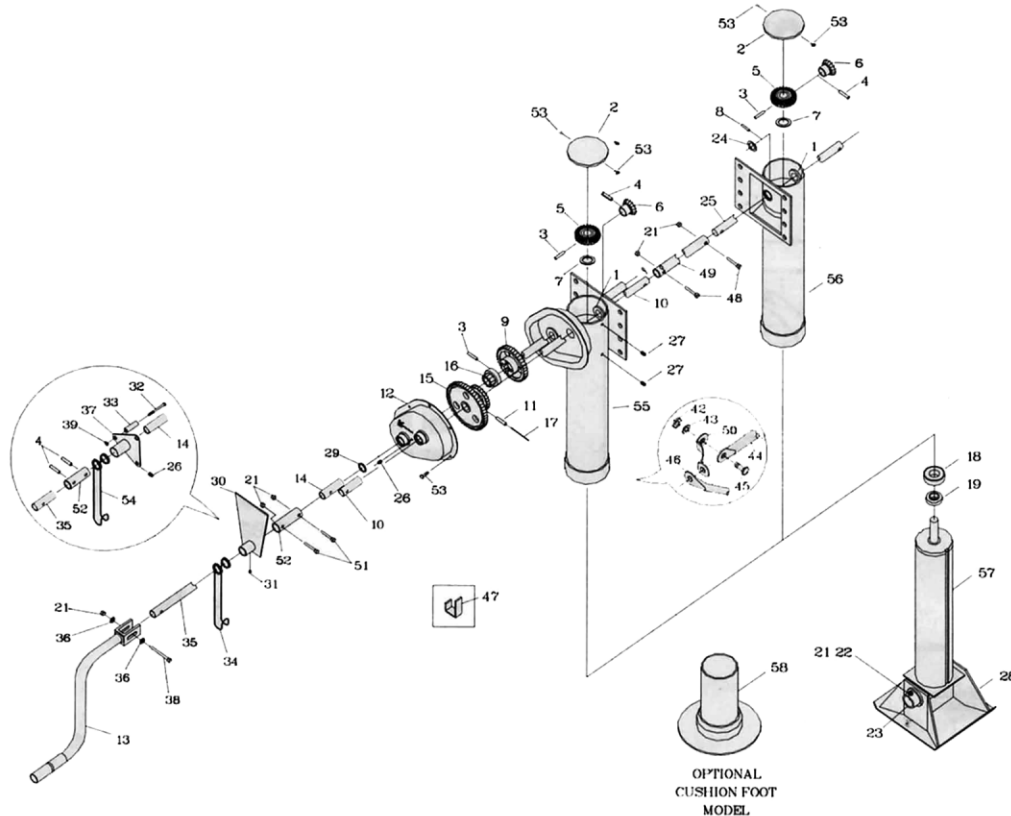


### 11.5.1: KYSOR WESTRAN CMR LANDING GEAR SUPPORTS

Part Number	Type	Travel	Upper Leg	Footware
KYS795091	Set*	14.12"	22.69"	4-1/2" x 10" x 11-1/4" Sand shoe
KYS742335	Non-gear box	14.12"	22.69"	
KYS742757	Gear box	14.12"	22.69"	
KYS795118	Set*	16.87"	25.44"	4-1/2" x 10" x 11-1/4" Sand shoe
KYS742109	Non-gear box	16.87"	25.44"	
KYS742379	Gear box	16.87"	25.44"	
KYS795098	Set*	16.87"	28.94"	10" Cushion foot
KYS742124	Non-gear box	16.87"	28.94"	
KYS742315	Gear box	16.87"	28.94"	
KYS795132	Set*	19.12"	27.12"	4-1/2" x 10" x 11-1/4" Sand shoe
KYS742272	Non-gear box	19.12"	27.12"	
KYS742503	Gear box	19.12"	27.12"	

\*Sets include crank handle, crank handle holder, brace lugs & cross shaft.

#### 11.5.1.1: EXPLODED VIEW OF KYSOR WESTRAN CMR LANDING GEAR SUPPORTS





**11.5.1.2: DETAIL OF KYSOR WESTRAN CMR LANDING GEAR SUPPORTS**

Index Number	Kysor Number	Description	Qty.	Index Number	Kysor Number	Description	Qty.
1	724036	Bushing	3	31	727002	Grease fitting	1
2	KYS750109	Cover	2	32	201031	Bolt 1/4"—20 x 2-1/4"	3
3	725046	Groove pin 5/16" x 1/2"	3	33	724010	Spacer	3
4	KYS725002	Roll pin 3/8" x 1-3/8"	4	34	730122	Crank holder	1
5	730590	Bevel gear 28T	2	35	750212	Crank shaft extension	1
6	KYS730011	Pinion-bevel 14T	2	36	202403	Washer 3/8" plain heavy	2
7	722017	Washer	2	37	716007	Crank bracket assembly	1
8	KYS725001	Roll pin 1/4" x 1-1/4"	1	37	716008	Crank bracket assembly	1
9	KYS751174	Gear, high speed	1	38	201209	Bolt—hex HD 3/8"—16 x 2-3/4"	1
10	KYS750002	Shaft pinion	1	39	203305	Lock nut 1/4"—20	3
11	KYS725003	Roll pin 3/8" x 1-1/2"	1	42	203878	Hex nut 5/8"—11	8
12	741558	Cover Assembly	1	43	202745	Washer	8
13	KYS730113	Crank	1	44	-----	Brace tube (cross)	2
14	75115	Crank shaft	1	45	721009	Bolt—hex HD 5/8"—11 x 2"	8
	751226	Shaft Plated for permanent lube	1	46	-----	Brace tube (back)	2
15	KYS750009	Gear set, rigid 26/51T	1	47	KYS750812	Crank holder	1
16	751173	Gear, low speed	1	48	201208	Bolt—hex HD 3/8"—16 x 2-1/2"	2
17	KYS729002	Spring clip	1	49	KYS6883	Intermediate shaft 65"	1
18	729005	Bearing T127	2	49	KYS6884	Intermediate shaft 74.75"	1
	KYS729016	Bearing T151 for HD applications	2	50	73005	Brace ear (for round leg)	2
19	73007	Collar	2		KYS730157	Brace ear	2
	730215	Collar for HD applications	2	51	201218	Bolt—hex HD 3/8"—16 x 1-3/4"	2
21	203514	Nut lock 3/8"—16	7	52	730092	Coupling	1
22	201226	Bolt 3/8"—16 x 3/4"	2	53	201060	Screw—hex washer HD 1/4"—20 x 1/2"	10
23	KYS730005	Axle—for sand shoes	2	54	730166	Crank holder	1
24	722000	Washer	1	55	751562	Upper leg weld't (2-speed) 25-7/16" length	1
25	KYS750004	Shaft (pinion)	1	56	751560	Upper leg weld't (single speed) 26-7/16" length	1
26	727001	Grease fitting	1	57	742110	Lower leg assy. (round)	2
27	72700	Grease fitting	4	58	742126	Lower leg assy. with cushion foot (std. lube)	2
28	730143	Sand shoe	2				
29	KYS728000	Seal	1				
30	730152	Crankshaft bracket assy. (F.W. under 54)	1				

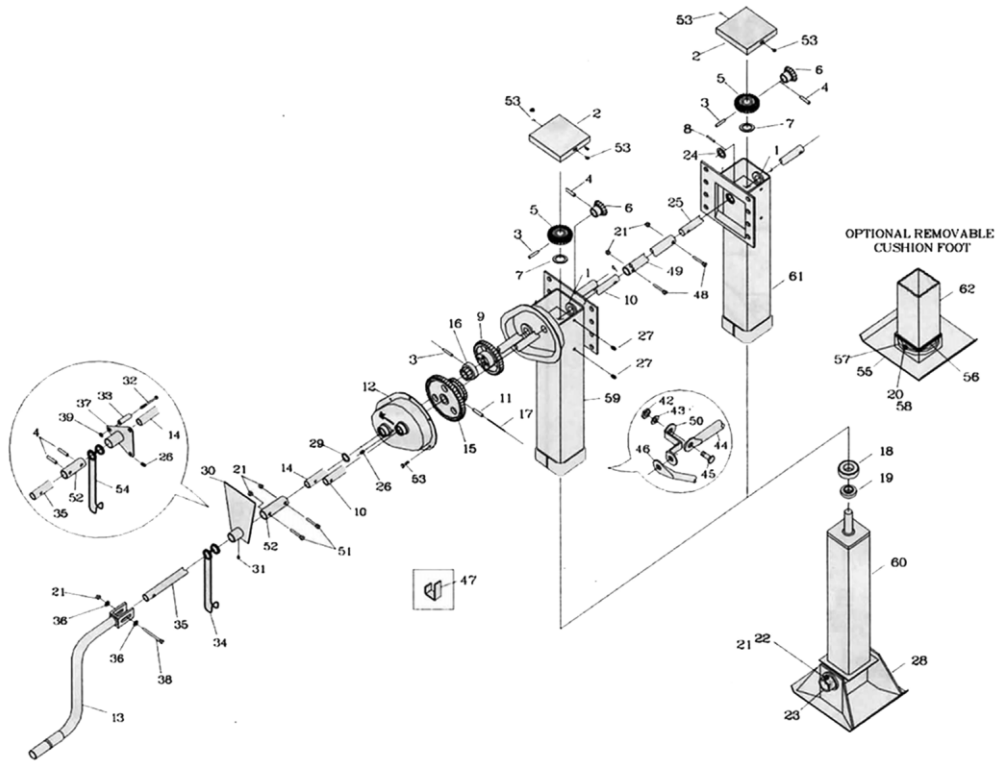
All parts with a **KYS** prefix are stocking parts. All others can be ordered.

**11.5.2: KYSOR WESTRAN CMS LANDING GEAR SUPPORTS**

Part Number	Type	Travel	Upper Leg	Footware
KYS785078	Set*	16.87"	25.44"	4-1/2" x 10" x 11-1/4" Sand shoe
KYS742118	Non-gear box	16.87"	25.44"	
KYS742523	Gear box	16.87"	25.44"	
KYS785098	Set*	16.87"	27.12"	10" Cushion foot
742287	Non-gear box	16.87"	27.12"	
742418	Gear box	16.87"	27.12"	

\*Sets include crank handle, crank handle holder, brace lugs & cross shaft.

**11.5.2.1: EXPLODED VIEW OF KYSOR WESTRAN CMS LANDING GEAR SUPPORTS**



**11.5.2.2: DETAIL OF KYSOR WESTRAN CMS LANDING GEAR SUPPORTS**

Index Number	Kysor Number	Description	Qty.
1	724037	Bushing	3
2	KYS751569	Square Cover	2
3	KYS725046	Groove pin 5/16" x 1-1/2"	3
4	KYS725002	Roll pin 3/8" x 1-3/8"	4
5	KYS750355	Bevel gear 28T	2
6	KYS730011	Pinion-bevel 14T	2
7	722017	Bushing-screw	2
8	KYS725001	Roll pin 1/4" x 1-1/4"	1
9	KYS751174	Gear, high speed	1
10	KYS750002	Shaft pinion	1
11	KYS725003	Roll pin 3/8" x 1-1/2"	1
12	741158	Cover assembly	1
13	KYS730113	Crank	1
14	KYS750003 750238	Crank shaft Shaft plated for permanent lube	1 1
15	KYS750009	Gear set, rigid 26/5T	1
16	751173	Gear, low speed	1
17	KYS729002	Spring clip	1
18	729005	Bearing T127	2
19	KYSJ4928-1	Collar	2
20	203878	Nut, lock 5/8"—11 (optional)	2
21	203514	Nut lock 3/8"—16	5
22	201226	Bolt 3/8"—16 x 3/4"	2
23	750005	Axle—for sand shoes	2
24	722000	Washer	1
25	KYS750004	Shaft (pinion)	1
26	727001	Grease fitting	1
27	727000	Grease fitting	4
28	730143	Sand shoe	2
29	KYS728000	Seal	1
30	730152	Crankshaft bracket assy. (F.W. under 54)	1
31	727002	Grease fitting	1
32	201031	Bolt 1/4"—20 x 2-1/4"	3
33	724010	Spacer	3


Index Number	Kysor Number	Description	Qty.
34	730122	Crank holder	1
35	750212	Crank shaft extension	1
36	202403	Washer 3/8" plain heavy	2
37	716007 716008	Crank bracket assembly Crank bracket assembly	1 1
38	201209	Bolt—Hex HD 3/8"—16 x 2-3/4"	1
39	203305	Locknut 1/4"—20	3
42	203878	Hex nut 5/8"—11	8
43	202745	Washer	8
44	-----	Brace tube (cross)	2
45	721009	Bolt—Hex HD 5/8"—11 x 2"	8
46	-----	Brace tube (back)	2
47	KYS750812	Crank holder	1
48	201208	Bolt—Hex HD 3/8"—16 x 2-1/2"	2
49	KYS6883 KYS6884	Intermediate shaft 65" Intermediate shaft 74.75"	1 1
50	KYS730157	Brace ear	2
51	201218	Bolt—Hex HD 3/8"—16 x 1-3/4"	2
52	730092	Coupling	1
53	201060	Screw—Hex washer HD 1/4"—20 x 1/2"	10
54	730166	Crank holder	1
55	751614	Weldment, cushion foot (optional)	2
56	730612	End plate (optional)	2
57	730613	Shock pad (optional)	2
58	201702	Bolt 5/8"—11 x 6" (optional)	2
59	751566	Upper leg (2 speed square) 25-7/16" length	1
60	742111	Lower leg assy. (square) std. lube for axle foot group	1
61	751564	Upper leg (1 speed square) 22-1/16" length	2
62	742139	Lower leg assy. std. lube for cushion foot (REM)	2

All parts with a KYS prefix are stocking items. All others can be ordered.

## 11.6 Holland Landing Gear Supports

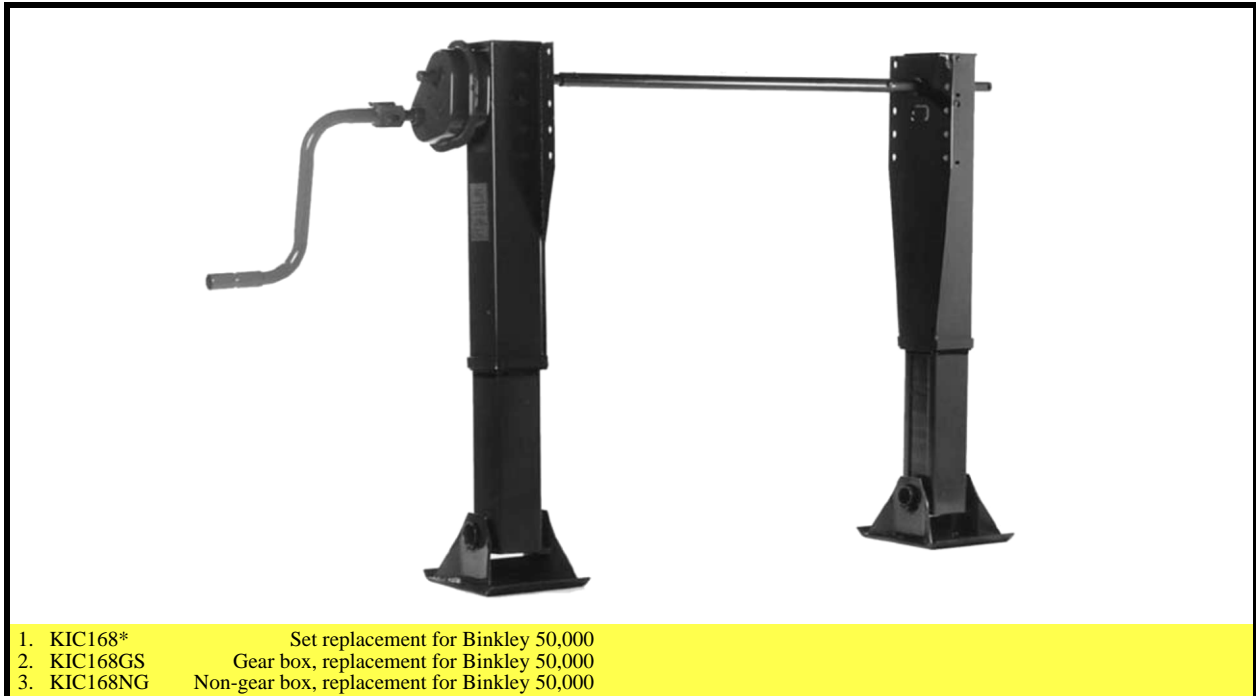


### 11.6.1: HOLLAND FORMULA 150 17" TRAVEL LANDING GEAR SUPPORTS

Part Number	Description	Figure
HOLLG150-1AY	Universal Mount Support Set 10" x 10" x 4" standard sand shoe Extended length = 52.68" Retracted length = 33.68"	 <p>Standard Sandshoe Shown</p>

## 11.7 KIC Landing Gear Supports

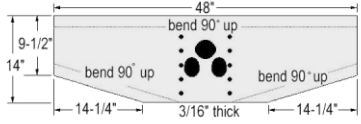
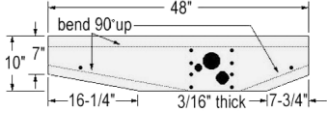
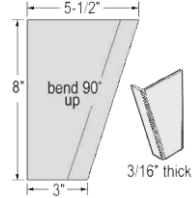
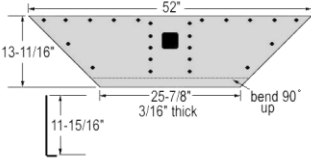
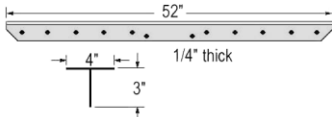
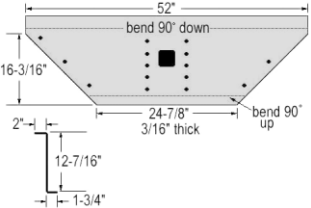
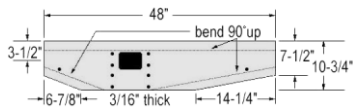
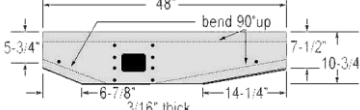
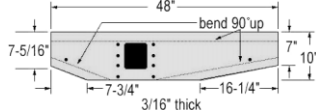
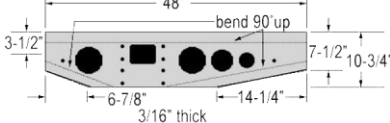
### 11.7.1: KIC LANDING GEAR



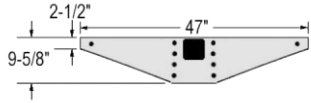
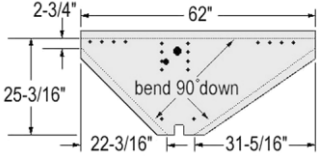
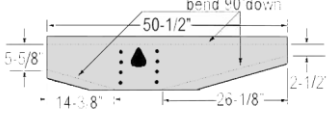
\* Set includes cross shaft & crank handle

## 11.8 Landing Gear Brackets

### 11.8.1: WABASH LANDING GEAR MOUNTING BRACKETS

 <p>48" top width, 14" height, 9-1/2" top flange, 14-1/4" bottom width, 3/16" thick, bend 90° up</p>	 <p>48" top width, 10" height, 7" top flange, 16-1/4" bottom width, 3/16" thick, 7-3/4" offset, bend 90° up</p>	 <p>5-1/2" top width, 8" height, 3" bottom width, 3/16" thick, bend 90° up</p>
<p>1. WAB13S00057 Universal</p>	<p>1. WAB13S00047 R/S 2. WAB13S00048 C/S</p>	<p>1. WAB13S00025 R/S Center 2. WAB13S00026 C/S Gusset</p>
 <p>52" top width, 13-11/16" height, 11-15/16" bottom width, 25-7/8" bottom width, 3/16" thick, bend 90° up</p>	 <p>52" top width, 1/4" thick, 4" offset, 3" offset</p>	 <p>52" top width, 16-3/16" height, 2" offset, 12-7/16" height, 24-7/8" bottom width, 3/16" thick, bend 90° down, bend 90° up, 1-3/4" offset</p>
<p>1. WAB13S00379 Jost</p>	<p>1. WAB13S00380 Jost mounting tee</p>	<p>1. WAB13S00405 Jost</p>
 <p>48" top width, 3-1/2" height, 7-1/2" top flange, 10-3/4" top flange, 6-7/8" bottom width, 14-1/4" bottom width, 3/16" thick, bend 90° up</p>	 <p>48" top width, 5-3/4" height, 7-1/2" top flange, 10-3/4" top flange, 6-7/8" bottom width, 14-1/4" bottom width, 3/16" thick, bend 90° up</p>	 <p>48" top width, 7-5/16" height, 7" top flange, 10" top flange, 7-3/4" bottom width, 16-1/4" bottom width, 3/16" thick, bend 90° up</p>
<p>1. WAB13S00503 C/S Jost 2. WAB13S00504 R/S Jost</p>	<p>1. WAB13S00512 C/S Jost 2. WAB13S00513 R/S Jost</p>	<p>1. WAB13S00548 R/S Jost 2. WAB13S00549 C/S Reverse Mount</p>
 <p>48" top width, 3-1/2" height, 7-1/2" top flange, 10-3/4" top flange, 6-7/8" bottom width, 14-1/4" bottom width, 3/16" thick, bend 90° up</p>		
<p>1. WAB13S00673 C/S Jost Lightweight 2. WAB13S00674 R/S Jost Lightweight</p>		

### 11.8.2: FRUEHAUF LANDING GEAR MOUNTING BRACKETS

 <p>2-1/2" height, 9-5/8" height, 47" top width, shallow</p>	 <p>2-3/4" height, 62" top width, 25-3/16" height, 22-3/16" bottom width, 31-5/16" bottom width, bend 90° down</p>	 <p>5-5/8" height, 50-1/2" top width, 14-3/8" bottom width, 26-1/8" bottom width, 2-1/2" height, bend 90° down</p>
<p>1. FRUFCE1671-1 Shallow</p>	<p>1. FRUFNE0568-1 R/S 2. FRUFNE0568-2 C/S</p>	<p>1. FRUFCE9322-1 R/S 2. FRUFCE9322-2 C/S</p>

**11.8.3: OTHER MANUFACTURER'S LANDING GEAR MOUNTING BRACKETS**

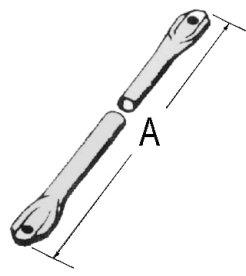
Trailmobile Style		Trailmobile Style		Miller Style
1. PEN02-01	4-A1-223	1. PEN02-02-RS 2. PEN02-02-CS	4-A1-224L 4-A1-224R	1. PEN02-30

**11.8.4: LANDING GEAR MOUNTING HARDWARE**

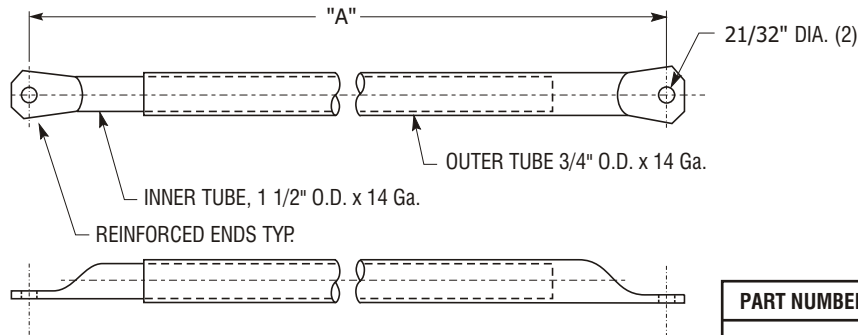
		<p>Kit Consists Of:            12—5/8" x 1-7/8" grade 8 bolts            12—5/8" Lock washers            12—5/8" Lock nut</p>
1. BLTFSP005-05KIT	Bolt kit	

## 11.9 Landing Gear Bracing

### 11.9.1: BRACES

Part Number	Thickness	Adjusts A	Figure
PEN04-10-26-41	Standard 14 ga.	26"—41"	
PEN04-10-42-57	Standard 14 ga.	42"—57"	
PEN04-10-56-72	Standard 14 ga.	56"—72"	
PEN04-15-26-41	Heavy Duty 13 ga.	26"—41"	
PEN04-15-42-57	Heavy Duty 13 ga.	42"—57"	
PEN04-15-56-72	Heavy Duty 13 ga.	56"—72"	
FLT013-01097	Heavy Duty 12 ga.	36"—42"	
PEN04-80-26-41	Super Heavy Duty	26"—41"	
PEN04-80-35-54	Super Heavy Duty	35"—54"	

### 11.9.2: 2-PIECE ADJUSTABLE BRACES

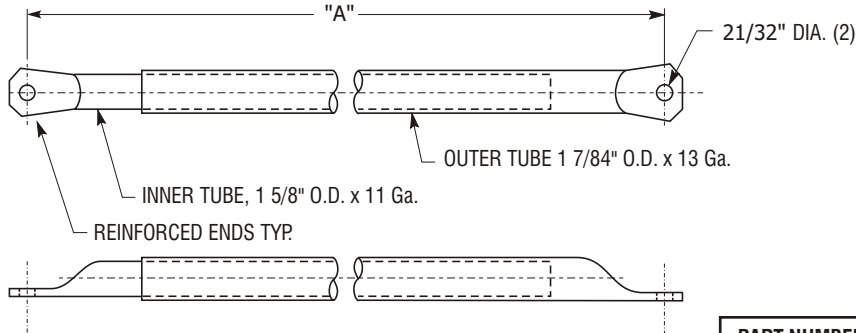


PART NUMBER	"A" DIM	WT. Lbs
2004102641 OEM # 04-10-26-41	26 - 41	5.3
2004104257 OEM # 04-10-42-57	42 - 57	7.0
2004105672 OEM # 04-10-56-72	56 - 72	9.1

MAT'L: HRS  
WT: AS NOTED, PRIMER PAINT

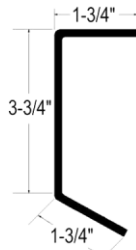
1. Standard Duty



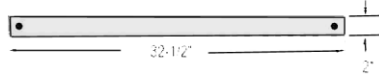
**11.9.2: 2-PIECE ADJUSTABLE BRACES**


PART NUMBER	"A" DIM	WT. Lbs
20402641 OEM # 04-40-26-41	26 – 41	6.5
20405672 OEM # 04-40-56-72	56 – 72	11.6

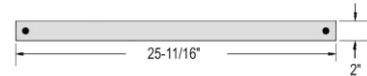
MAT'L: HRS  
 WT: AS NOTED, PRIMER PAINT

**1. Heavy Duty**
**11.9.3: WABASH LANDING GEAR BRACING**


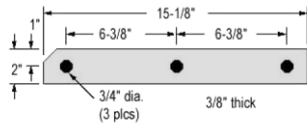
1. WAB13S00019 K-Brace mounting channel



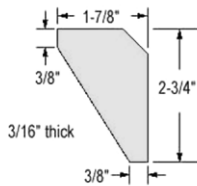
1. WAB13S00028 Rear Brace



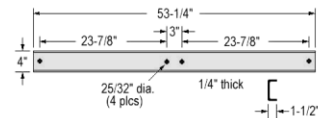
1. WAB13S00029 Front Brace



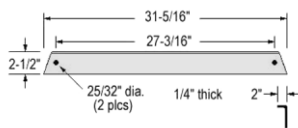
1. WAB13S00381 JOST Shim



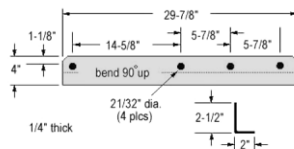
1. WAB13S00395 Roadrailer gusset



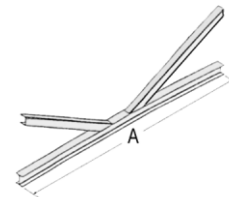
1. WAB13S00399 RoadRailer brace



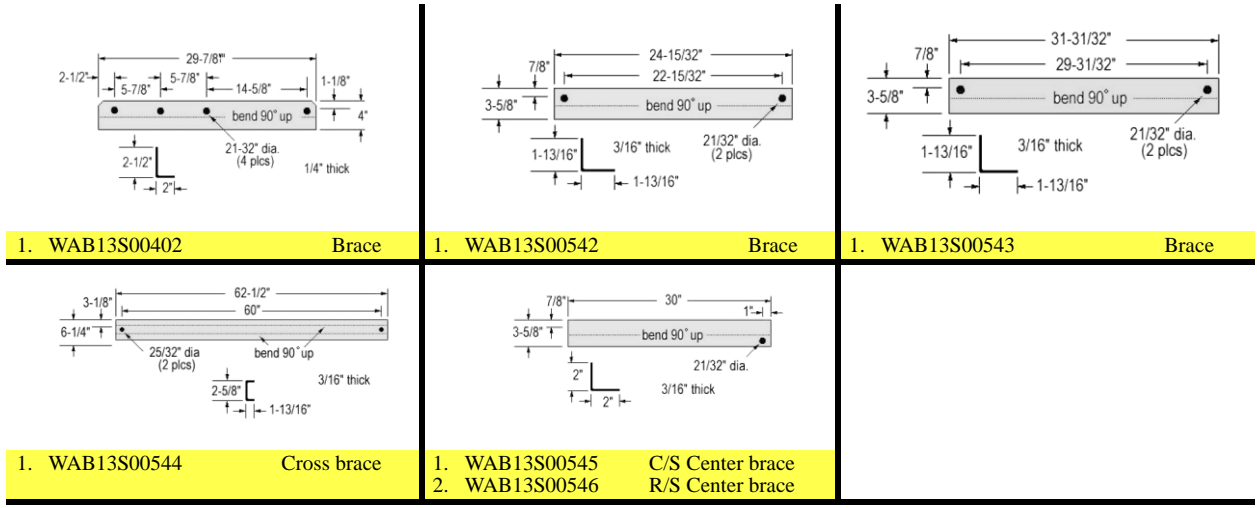
1. WAB13S00400 RoadRailer brace



1. WAB13S00401 Brace



1. WAB13000042 A = 72"  
 2. WAB13000065 A = 65"  
 3. WAB13000501 A = 60"

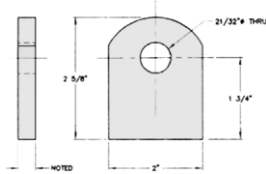


**11.9.4: CROSS SHAFTS**

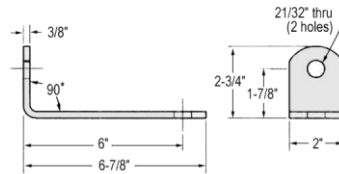
Part Number	Description	A	Figure
PEN04-552	14 ga. 3 piece adjustable	52"—72"	
PEN04-552-2	Outer tube		
BINLG0094-6500	Binkley cut to length	A = 65.00"	
BINLG0094-7025	Binkley cut to length	A = 70.25'	
FRUSCE8322-1	Fruehauf cut to length	A = 74-3/4"	
JOSB10363.45.828	Jost cut to length	A = 45.83"	
JOSB10363.55.87	Jost cut to length	A = 55.87"	
JOSB10363.56.5	Jost cut to length	A = 56-1/2"	
JOSB10066.68.4	Jost cut to length	A = 68-1/3"	

## 11.10 Landing Gear Brace Lugs

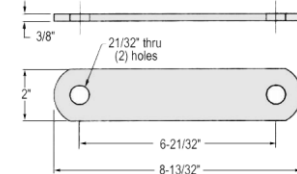
### 11.10.1: BRACE LUGS FOR SQUARE LEGS



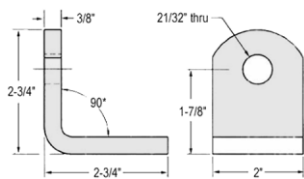
1. PEN02-10-A



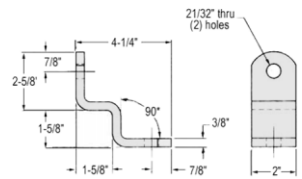
1. PEN02-11-A



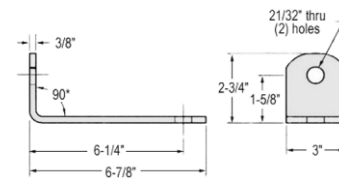
1. PEN02-12-A



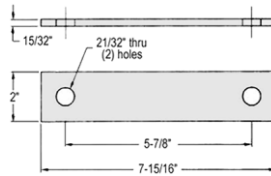
1. PEN02-13-A



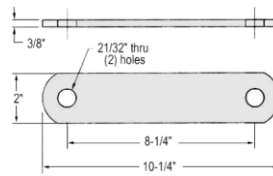
1. PEN02-14-A



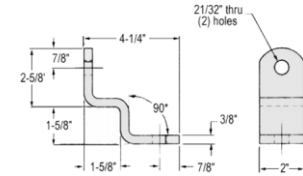
1. FRUSXA0191



1. FRUSCF3395-1

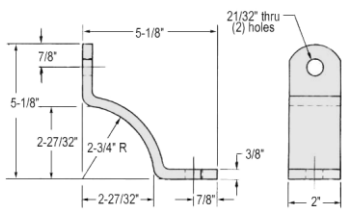


1. JOSCI0262

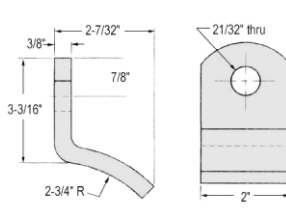


1. KYS730157

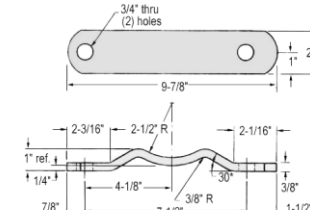
### 11.10.2: BRACE LUGS FOR ROUND LEGS



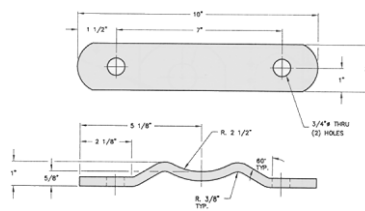
1. PEN02-15-A  
2. KYS730005



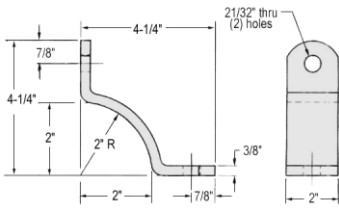
1. PEN02-16-A



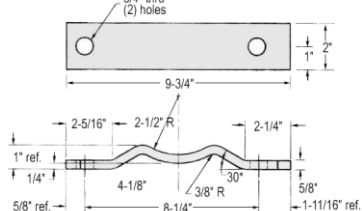
1. PEN02-25



1. PEN02-32



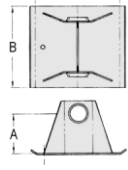
1. HOLXA-V-1938




1. KYS730051

## 11.11 Sand Shoes, Wheels & Axles

### 11.11.1: STANDARD SAND SHOES

Part Number	Sides	Base	Gusset	A	B	C	Figure
PEN05-300	3/16"	3/16"	Single	4-3/8"	10"	10"	
PEN05-301	3/16"	3/16"	Single	4-3/8"	12"	10"	
PEN05-330	1/4"	3/16"	Single	4-3/8"	10"	10"	
FRUSANDSHOE4X12X12	1/4"	3/16"	None	4"	12"	12"	
JOSC10035	1/4"	1/8"	Single	4-1/2"	10"	10"	

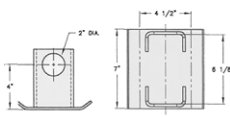
### 11.11.2: FRUEHAUF TILT SAND SHOES

Part Number	Sides	Base	Gusset	Height	Length	Width	Figure
FRUSCE7407-1	3/16"	3/16"	Single	4"	12"	10"	
FRUSCE3719-2	3/16"	3/16"	None	5"	12"	12"	
FRUSCE3719-1	3/16"	3/16"	None	2"	12"	12"	
FRUSCE3719-3	3/16"	3/16"	Single	2"	12"	12"	

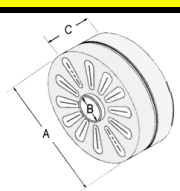
### 11.11.3: LOW PROFILE SAND SHOES

Part Number	Sides	Base	Gusset	A	B	C	Figure
PEN05-310*	3/16"	3/16"	None	1-3/4"	10"	10"	
PEN05-311*	1/4"	1/4"	None	1-3/4"	10"	10"	
PEN05-340	1/4"	1/4"	None	1-3/4"	10"	10"	
JOSC10135	1/4"	3/16"	None	2"	10"	10"	
FLT013-00073	3/16"	3/16"	None	2"	10"	10"	
*with hole reinforcement							


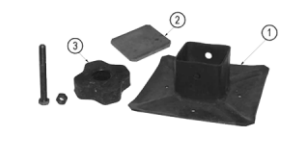

### 11.11.4: SPECIALTY SAND SHOES

Part Number	Sides	Base	Gusset	A	B	C	Figure
PEN05-303	1/4"	7 ga.	None	4"	7"	4-1/2"	

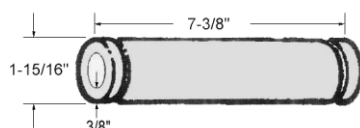
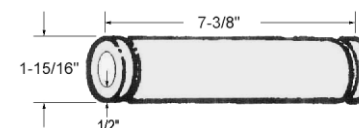

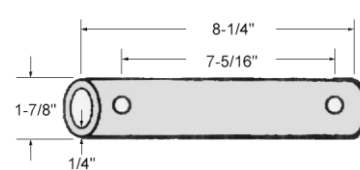
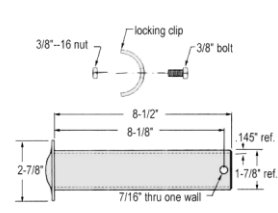
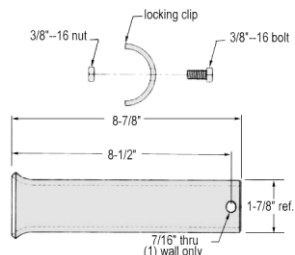
**11.11.5: DOLLY WHEELS**

Part Number	Description	A	B	C	Figure
FLT013-00173	Heavy Duty	9.00"	2"	3.44"	

**11.11.6: CUSHION FOOT**

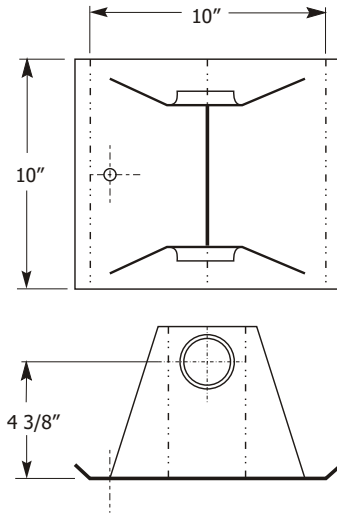
Part Number	Description	Qty	Item	Figure
FRUSCF4356-1	Shoe (12" x 12")	1	1	
FRUSCF4506-1	Rubber pad	1	2	
FRUSCF5270-1	Retainer plate	1	3	
BLT1-280	1/2" x 1" Bolt	2	4	
NUT2-25	1/2" Hex nut	2	5	
BINLG0045-01	Kit (10" round)	1		
BINLG0048-01	Kit (10" x 10")	1		
BINLG0732-01	Shoe (10" x 10")	1	1	
BINLG0725	Retainer Plate	1	2	
BINLG0726	Rubber Pad	1	3	
KYS716052	Kit (10" x 10")	1		

**11.11.7: SAND SHOES HARDWARE**

		
1. FRUSCF0487-1	1. FRUSCF0494-1 Heavy Duty	1. FRUSCF0486-1
		
1. FRUSPA1102-3	1. PEN06-410 Schedule 40 2. FLT013-00244	1. PEN06-404 Schedule 40

<p>1. PEN06-411 Schedule 80 Heavy Duty</p>	<p>1. PEN06-430 Solid axle kit</p>	<p>1. PEN06-431 Solid axle kit</p>
<p>1. PEN06-432 Side axle kit</p>	<p>1. PEN06-420 Schedule 40 for Dolly wheel</p>	<p>1. JOSB10036</p>
<p>1. PEN06-345 Axle housing</p>	<p>1. PEN06-422-B Half collar locking clip</p>	

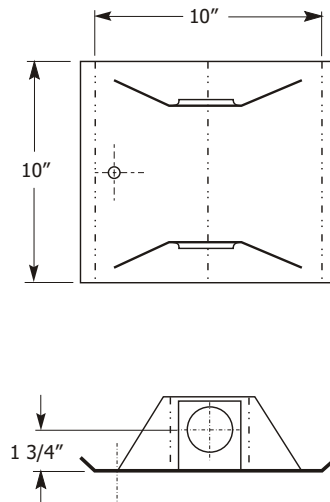
**11.11.8: MARTEC SAND SHOES**



**SIDES: 7 Ga. HRS FLAIR**  
**BASE: 7 Ga. HRS**  
**SINGLE GUSSET**

**OEM # 05-300**  
**STANDARD**  
**MAT'L: HRS**  
**WT: 10.2#, PRIMER PAINT**

1. 2005300

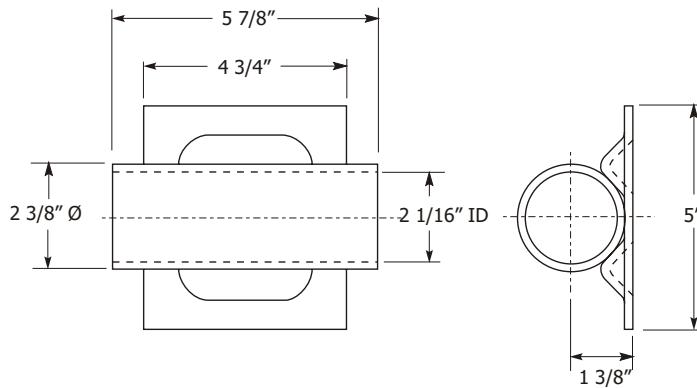


**SIDES: 7 Ga.. HRS W.PATCH**  
**BASE: 7 Ga. HRS**  
**NO GUSSET**

**OEM # 05-310**  
**LOW PROFILE**  
**MAT'L: HRS**  
**WT: 8.2#, PRIMER PAINT**

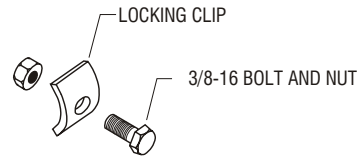
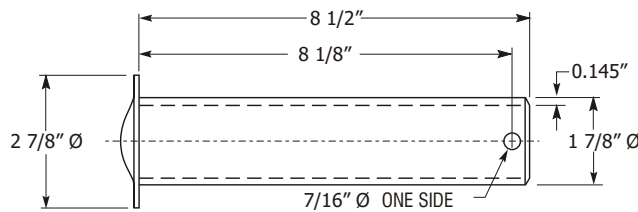
1. 2005310

**11.11.9: MARTEC AXLE KITS**



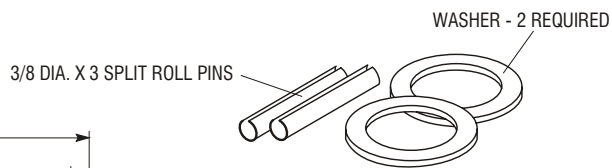
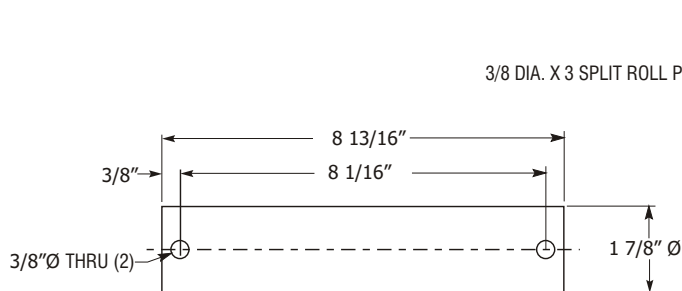
**OEM # 06-345**  
**T-STAMP AXLE HOUSING**  
**MATERIAL: HRS**  
**WT: 2.9#, PRIMER PAINT**

1. 2006345



**OEM # 06-410**  
**WELDED CAP AXLE KIT, STD**  
**HEAVY DUTY**  
**MAT'L: 1 1/2 SCH 40**  
**WT: 2.1#, PRIMER PAINT**

1. 2006410



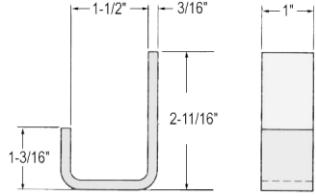
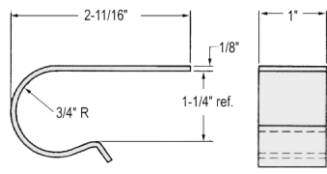
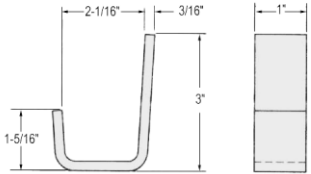
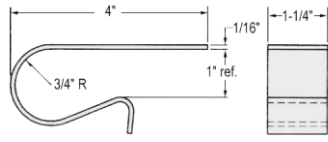
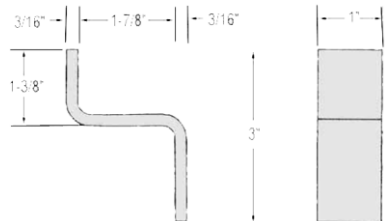
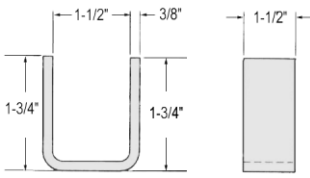
**OEM # 06-431**  
**SOLID AXLE KIT**  
**MAT'L: 1 7/8" DIA., HRS**  
**WT: 12.8#, PRIMER PAINT**

1. 2006431

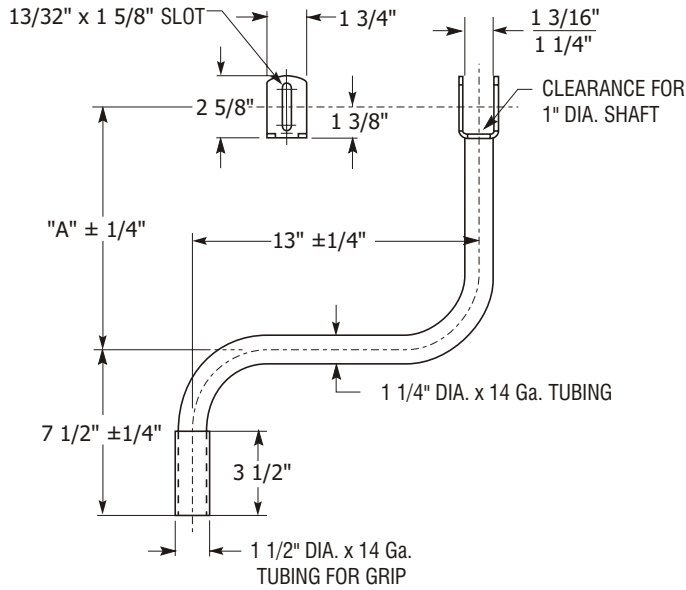


## 11.12 Crank Handles & Holders

### 11.12.1: CRANK HANDLE HOLDERS

		
<p>1. PEN03-403</p>	<p>1. JOSB10261</p>	<p>1. KYS750812</p>
		
<p>1. BINLG0085</p>	<p>1. FRUSCA1935-X</p>	<p>1. FRUSCF3998-1</p>

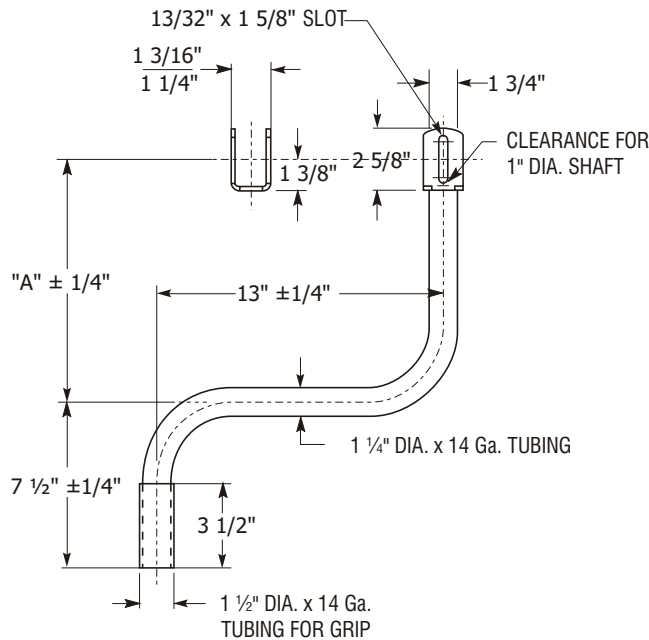
**11.12.2: MARTEC CRANK HANDLES**



PART NUMBER	"A" DIM	WT. Lbs
2003215H OEM # 03-215-H	15 7/8"	3 1/2
2003221H OEM # 03-221-H	21"	3 3/4

MAT'L: HRS  
WT: AS NOTED, PRIMER PAINT

1. 2003215H & 2003221H



PART NUMBER	"A" DIM	WT. Lbs
2003215V OEM # 03-215-V	15 7/8"	3 1/2
2003221 OEM # 03-221-V	21"	3 3/4

MAT'L: HRS  
WT: AS NOTED, PRIMER PAINT

1. 2003215V & 2003221