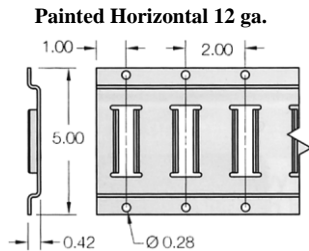


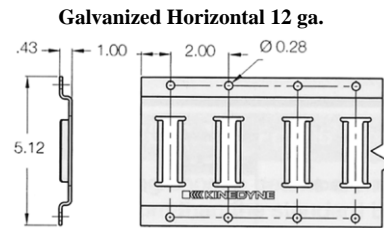
13.1: Logistic Track	2
13.2: Shoring Beams & Accessories	3
13.3: Load Bars & Accessories	4
13.4: Logistic Straps	5
13.5: Ratchets & Ratchet Straps	6
13.6: Winches, Winch Track, & Winch Bars	7
13.7: Winch Straps	8
13.8: Tie Downs	9
13.9: Chain, Binders, and Accessories	10
13.10: Tarp Straps & Accessories	12
13.11: Other Cargo Control Accessories & Ship Lashings	13

13.1 Logistic Track

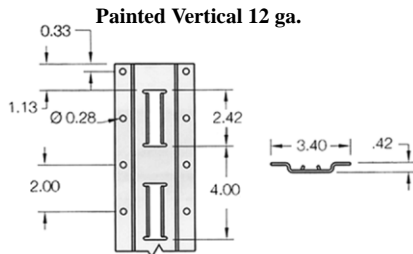
13.1.1: "E" TRACK



- | | |
|--------------|--------------|
| 1. KIN43002 | 10' Kinedyne |
| 2. MSCETRACK | 10' Generic |

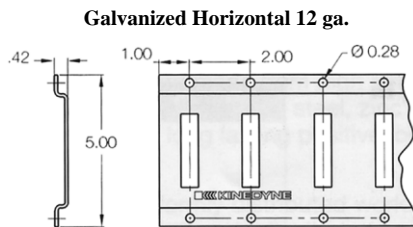


- | | |
|----------------|---------------|
| 1. KIN43001 | 10' Kinedyne |
| 2. MRF50282052 | 52'6" Generic |

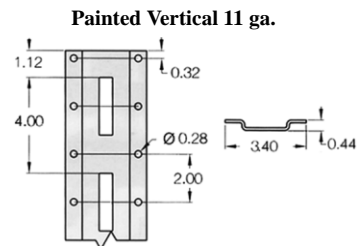


- | | |
|------------|--------------|
| 1. KIN2019 | 10' Kinedyne |
|------------|--------------|

13.1.2: "A" TRACK

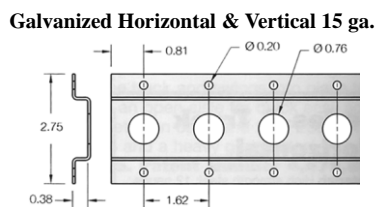


- | | |
|-----------------------|-------------|
| 1. BINBK-TS200303-10A | 10' Binkley |
|-----------------------|-------------|



- | | |
|------------|--------------|
| 1. KIN2025 | 10' Kinedyne |
|------------|--------------|

13.1.3: "F" TRACK



- | | |
|------------|--------------|
| 1. KIN2005 | 10' Kinedyne |
|------------|--------------|

13: Cargo Control

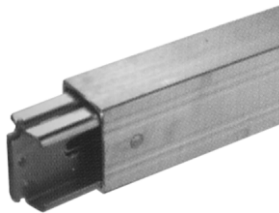
13.2 Shoring Beams & Accessories

KINEDYNE

13.2.1: KINEDYNE "E" & "A" STYLE BEAMS & ACCESSORIES

KINEDYNE

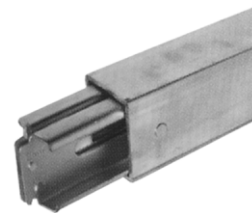
Standard Aluminum "E" & "A" Beams
(2,000 lb. rating)



- 1. KINFE8066-1
- 2. KINFE8066-3

Adjusts
85"—94.7"
92.2"—102"

Heavy Duty Aluminum "E" & "A" Beams
(2,500 lb. rating)



- 1. KINFE8000-1
- 2. KINFE8000-12

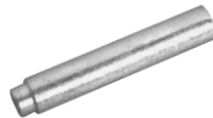
Adjusts
85"—94.7"
92.2"—102"

Head Unit
for "E" & "A" Beams



- 1. KINFE7955-8

Attaching Pin
for "E" & "A" Beams



- 1. KINFE7053-1

Wood Beam Socket
for "E" & "A" Beams

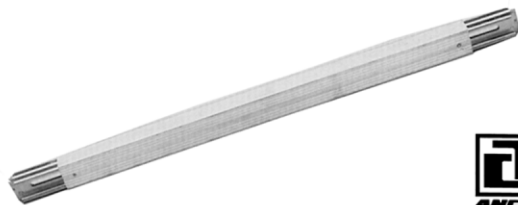


(use 2" x 6" wood beams)

- 1. KIN1845 Standard

13.2.2: SHORING BEAMS

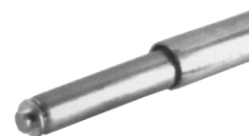
Standard Aluminum "E" & "A" Beams
(2,000 lb. rating)



- 1. ACR43638-10
- 2. ACR43638-11

Adjusts
84.5"—94.5"
90.8"—101.7"

"F" Style Round Shoring Bars
(Push button adjustments)
Adjusts in 5" increments (500 lb. rating) Horizontal or Vertical
1.66" round diameter



KINEDYNE

- 1. KIN1816-1

Adjusts
79"—93"



13.3 Load Bars & Accessories



13.3.1: ANCRA LOAD BARS & ACCESSORIES

Ancra Cargo Hoop Set
bar not included



Hoops & all attaching hardware included
Fits 1.5" tube diameter

1. ACR43991-10

Steel Cargo Bar



1. ACR48407-10
2. ACR49205-11

Fits 89-3/4" - 104-1/2"
Fits 89-3/4" - 104-1/2"

Steel One Piece Square Cargo Jack



Bolt-on Feet

1. ACR49205-23

Fits 85" - 113-1/2"



13.3.2: MULTIPRENS LOAD BARS & ACCESSORIES



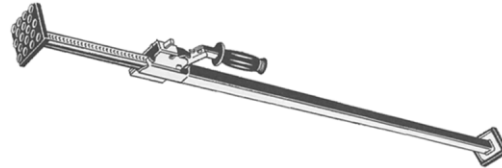
Steel One Piece Square Ratchet Bar



1. MULCB320

Adjusts
86"-105"

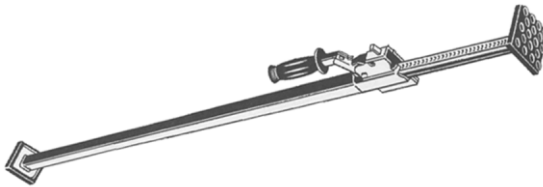
Steel One Piece Round Jack Bar



1. MULFM201

Adjusts
86"-105"

One Piece Square Jack Bar



1. MULMB101

Adjusts
86"-109"

13: Cargo Control


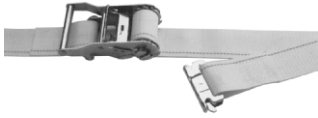
13.4 Logistic Straps

KINEDYNE

13.4.1: KINEDYNE LOGISTIC STRAPS

KINEDYNE




13.4.1.1: KINEDYNE 2" LOGISTIC STRAPS WITH 811 RATCHET BUCKLE

Part Number	Strap Length	End Hardware	Figure
KIN641201	12'	Series "E" or "A" FE8306-1 Spring fitting	
KIN641601	16'		
KIN641602	16'	Series "E" or "A" 43020-1 3-piece fitting	

KINEDYNE

13.4.1.2: KINEDYNE 2" LOGISTIC STRAPS WITH 910 CAM BUCKLE


KINEDYNE

Part Number	Strap Length	End Hardware	Figure
KIN651201	12'	Series "E" or "A" FE8306-1 Spring fitting	
KIN651601	16'		
KIN652001	20'		
KIN651202	12'	Series "E" or "A" 43020-1 3-piece fitting	
KIN651602	16'		
KIN651235	12'	Series "F" FE8427-1 Plate trailer hook	

KINEDYNE

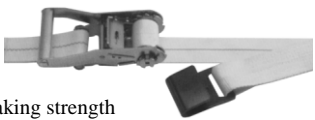
13.4.1.3: KINEDYNE 1" RATCHET STRAP

KINEDYNE


Part Number	Strap Length	End Hardware	Figure
KIN711681-45PK	16'	Packaged with wire hook & D-ring	

13.5 Ratchets & Ratchet Straps

13.5.1: KINEDYNE 2" RATCHET STRAPS WITH 804 WIDE HANDLE

Part Number	Strap Length	End Hardware	Figure
KIN512720	27'	#1015 Flat hook	 10,000 breaking strength
KIN513020	30'	#1015 Flat hook	

13.5.2: KINEDYNE 2" RATCHET STRAPS WITH 803 LONG WIDE HANDLE


Part Number	Strap Length	End Hardware	Figure
KIN573020	30'	#1015 Flat hook	 10,000 breaking strength

13.5.3: ANCRA 2" RATCHET STRAPS WITH 44587-10 WIDE HANDLE



(10,000 lb. Braking Strength)




Part Number	Strap Length	End Hardware	Figure
ACR45982-11-30	30'	Flat hook	 10,000 breaking strength



13.5.4: KINEDYNE RATCHETS



Part Number	Description	Figure
KIN804	2" Wide handle	 11,000 breaking strength

13.6 Winches, Winch Track & Winch Bars

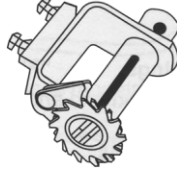
13.6.1: MULTIPRENS WINCHES

Low Profile Weld-on Webbing Winch



1. MUL1105

Low Profile Portable Webbing Winch



1. MUL1605

13.7 Winch Strap

KINEDYNE

13.7.1: KINEDYNE WINCH STRAPS

KINEDYNE

2" Strap with Flat Hook



- 1. KIN22272027'
- 2. KIN22302030'

3" Strap with Flat Hook



- 1. KIN32272127'
- 2. KIN32302130'

4" Strap with Flat Hook



- 1. KIN42272127'
- 2. KIN42302130'

4" Strap with Delta Ring



- 1. KIN42271027'
- 2. KIN42301030'

4" Strap with Sewn Loop



- 1. KIN42303030'

4" Strap with Chain Anchor



- 1. KIN42304030'



13.7.2: ANCRA WINCH STRAPS



4" Strap with Flat Hook



- 1. ACR43795-10-30P30'

4" Strap with D Hook

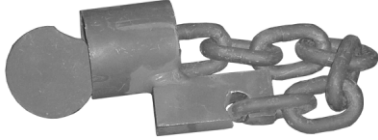
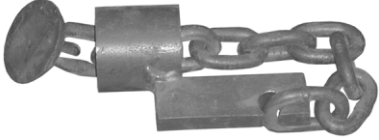
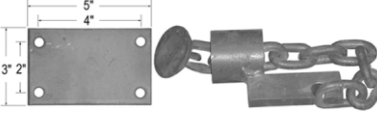
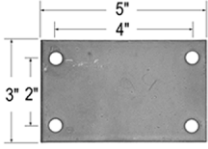
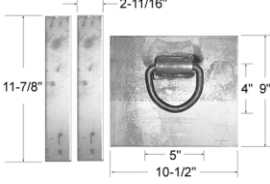




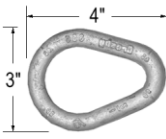

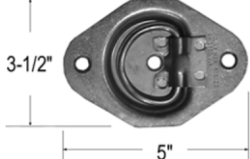

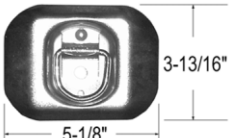


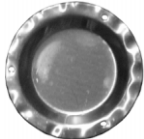
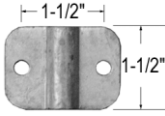


- 1. ACR43795-21-3030'

13: Cargo Control

13.8 Tie Downs

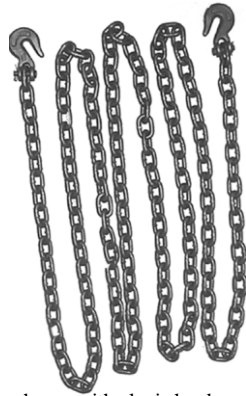
13.8.1: TIE DOWNS

 <p>1. GERMODEL A-3 3" Crossmember 2. GERMODEL A-4 4" Crossmember</p>	 <p>1. GERMODEL B-4 4" Crossmember</p>	 <p>1. GERMODEL D-4 4" Crossmember</p>
<p>Mounting Plate for Chain Tie Downs</p>  <p>1. GERMODEL-A-PLATES(3x5)</p>	<p>D-Ring Assembly</p>  <p>1. MTR28000739</p>	<p>D-Ring with Clip</p>  <p>1. FLT982-00046</p>
<p>D-Ring with Clip</p>  <p>1. MTRA1300003 Galv.</p>	<p>D-Ring with Clip</p>  <p>1. FRUCB8819-900 Complete Ring 2. FRUCB8819-1 Ring 3. FRUCB8820-1 Ring Clip</p>	<p>D-Ring</p>  <p>1. FRUXCE2930-1</p>
<p>Teardrop Ring</p>  <p>1. FRUXCB1008</p>	<p>Tie Down Ring</p>  <p>1. CAR36-250 3-1/2" OD</p>	<p>Tie Down Ring</p>  <p>1. POL0701</p>
<p>D-Ring</p>  <p>1. MTRA1300028 3-1/2" OD</p>	<p>Tie Down Ring</p>  <p>1. MTRA1300091</p>	<p>Recess Hold Down for Plate Trailer</p>  <p>1. MTRA1300004 4-7/8" OD</p>
<p>Recess Hold Down for Plate Trailer</p>  <p>1. MTRA1300034 4-7/8 OD</p>	<p>Recess Hold Down for Plate Trailer</p>  <p>1. MTRA1300062 4-3/4" OD</p>	<p>Ring Clip</p>  <p>1. FRUXCC9455-1</p>

13.9 Chain, Binders & Accessories



13.9.1: CHAINS


Part Number	Size	Grade	Type Hook	Working Load Limit	Figure
CMK638219	3/8" x 20'	43	Clevis	5,400 lbs.	 <p>shown with clevis hook</p>
CMK638241	3/8" x 20'	43	Welded	5,400 lbs.	
CMK638220	3/8" x 25'	43	Clevis	5,400 lbs.	
CMK638240	3/8" x 16"	43	Welded	5,400 lbs.	
CMK639094	3/8" x 20' LL*	70	Clevis	6,600 lbs.	
CMKS894921	3/8" x 25'	70	Clevis	6,600 lbs.	
CMK638320	5/16" x 20'	70	Clevis	4,700 lbs.	
CMK638284	5/16" x 20'	70	Clevis	4,700 lbs.	
CMK639024	5/16" x 20' LL*	70	Welded	4,700 lbs.	
CMK638322	5/16" x 25'	70	Clevis	4,700 lbs.	
CMK638279	5/16" x 20'	70	Clevis	4,700 lbs.	
CMK639079	5/16" x 25' LL*	70	Clevis	4,700 lbs.	

*LL = Long Link; uses longer chain lengths to make assembly.

13.9.2: BINDERS




13.9.2.1: LEVER BINDERS

Part Number	Chain Size		Take Up	Handle Length	Working Load Limit	Figure
	G-43	G-70				
DIX48305	3/8"	5/16"	4-1/2"	16-1/8"	5,400 lbs.	
DIX48306	1/2"	3/8"	4-1/2"	16-5/8"	9,200 lbs.	
DIX48314	1/4"	1/4"	2-3/4"	11-1/4"	2,600 lbs.	













13.9.2.2: RATCHET BINDERS

Part Number	Chain Size		Take Up	Handle Length	Working Load Limit	Figure
	G-43	G-70				
DIX48810	3/8"	5/16"	8"	12"	5,400 lbs.	
DIX48364	1/4"	1/4"	4"	10-1/4"	2,600 lbs.	
DIX48365	3/8"	5/16"	8"	14"	5,400 lbs.	
DIX48366	1/2"	3/8"	8"	14"	9,200 lbs.	


13: Cargo Control

13.9.3: CLEVIS

<p>Clevis Grab Hook for 5/16" Chain</p>  <p>Working Load Limit 1. CMKM805A 4,500</p>	<p>Safety Chain Lock</p>  <p>1. CMK410AWL</p>	<p>Latch Kit</p>  <p>1. CMK595474</p>
<p>Clevis Grab Hook for 3/8" Chain</p>  <p>For use with G-43</p> <p>Working Load Limit 1. DIX62392 4,500</p>	<p>Clevis Grab Hook for 3/8" Chain</p>  <p>For use with G-70</p> <p>Working Load Limit 1. DIX62373 6,600</p>	<p>Clevis Grab Hook for 5/16" Chain</p>  <p>For use with G-70</p> <p>Working Load Limit 1. DIX62273 3,900</p>
<p>Twin Clevis Link for 1/2" Chain</p>  <p>1. MTR21700260</p>	<p>Double Clevis Mid-Line</p>  <p>For use with G-43 & G-70 chain 1/4" 5/16" 3/8"</p> <p>1. CMKM605</p>	<p>Coupling Link for 1/2" Chain</p>  <p>Working Load Limit 1. CMK664250 12,000 lbs</p>
<p>Safety Chain Latch</p>  <p>1. CMK4X410 A 5/8" B 2-3/16" 2. CMK4X412 A 5/8" B 2-3/4"</p>		

13.10 Tarp Straps & Accessories

13.10.1: TARP STRAPS

Part Number	Length	Heavy Duty	Figure
RUB197940	10'	X	
RUB197840	15"	X	
RUB196940	21"	X	
RUB197740	31"	X	
RUB738940	41"	X	

13.10.2: TARP STRAP ACCESSORIES

Replacement S-Hook

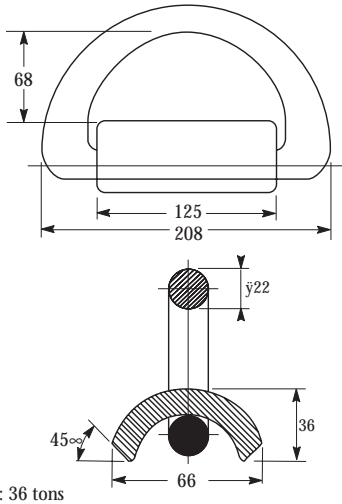


1. RUB2.5 2.5"

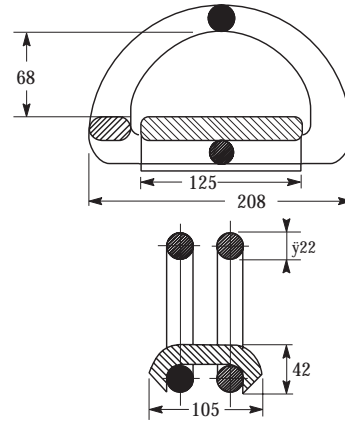
Decal



1. DEC7-8

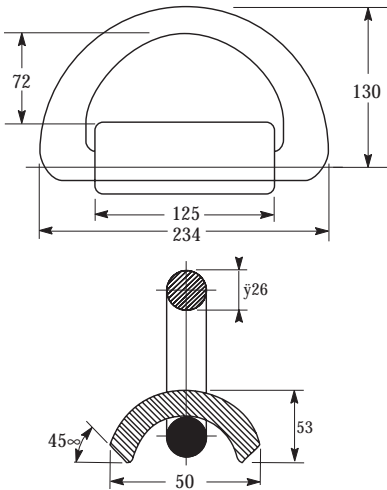
13.11 Other Cargo Control Accessories & Ship Lashings
13.11.1: D-RINGS


Breakload: 36 tons

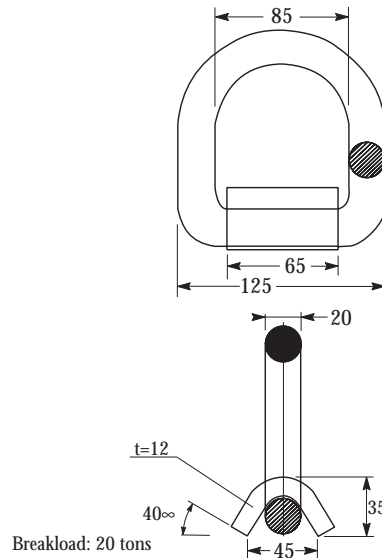


Breakload: 50 tons

Material Construction	Treatment	Weight (kg)	Material Construction	Treatment	Weight (kg)
Drop Forged Mild Steel	Self-Colored	2.40	Drop Forged Mild Steel	Self-Colored	5.10
1. 56 ML-1130 D-Ring with Welding Strap			1. 56 ML-1140 Double D-Ring with Welding Strap		



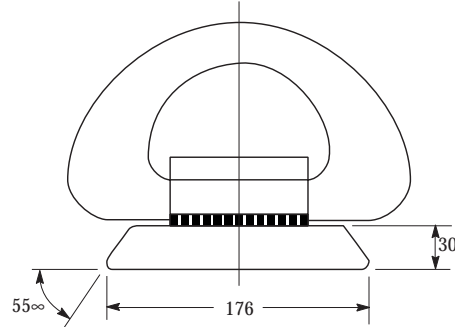
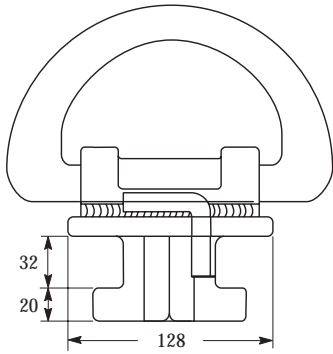
Breakload: 50 tons



Breakload: 20 tons

Material Construction	Treatment	Weight (kg)	Material Construction	Treatment	Weight (kg)
Drop Forged Mild Steel	Self-Colored	2.40	Drop Forged Mild Steel	Self-Colored	1.60
1. 56 ML-1150 D-Ring with Welding Strap			1. 56 ML-1160 Double D-Ring with Welding Strap		

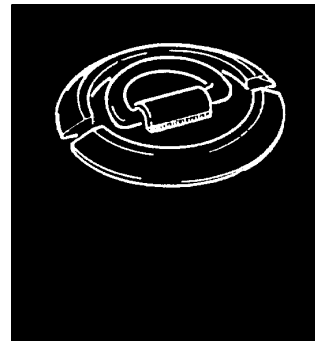
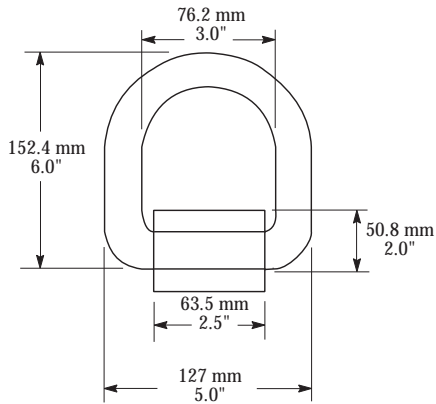
13.11.1: D-RINGS



Breakload: various breakloads available upon request (36/50 ton).

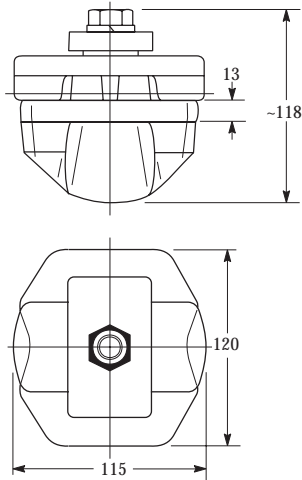
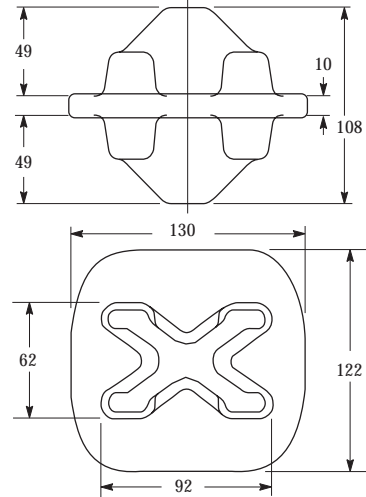
Sliding Plate: Available in 45° and 55° versions. Please specify when ordering.

Treatment	Weight (kg)	Material Construction	Treatment	Weight (kg)
Painted	2.40	Drop Forged Mild Steel	Painted	11.5
1. 65 ML-DRL-36		1. 65 ML-DRS-50 Sliding Lashing Eye		

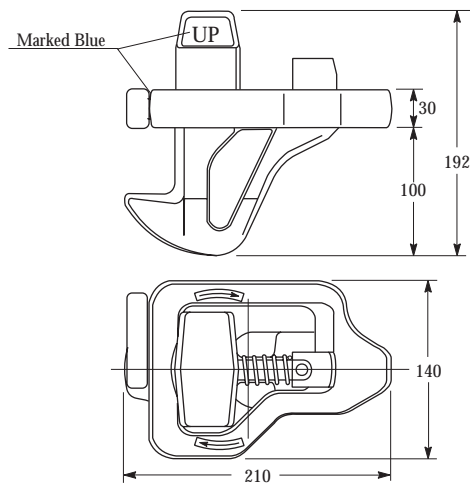
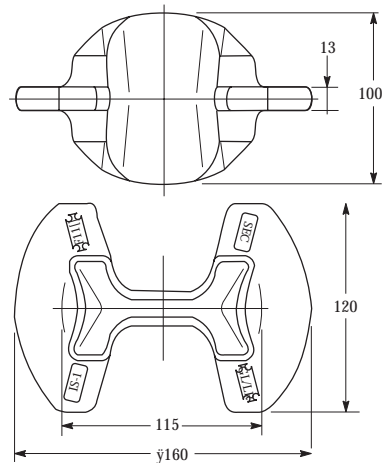


Breaking Strength	Strap Height	Material Diameter
46,760 lbs	1.38"	1.0"
1. 56 ML-1120 D-Ring with Welding Strap		1. Protection Rings

13: Cargo Control

13.11.2: STACKERS - INTERMEDIATE

Breakload: Shear 420 kN

Breakload: 400 kN

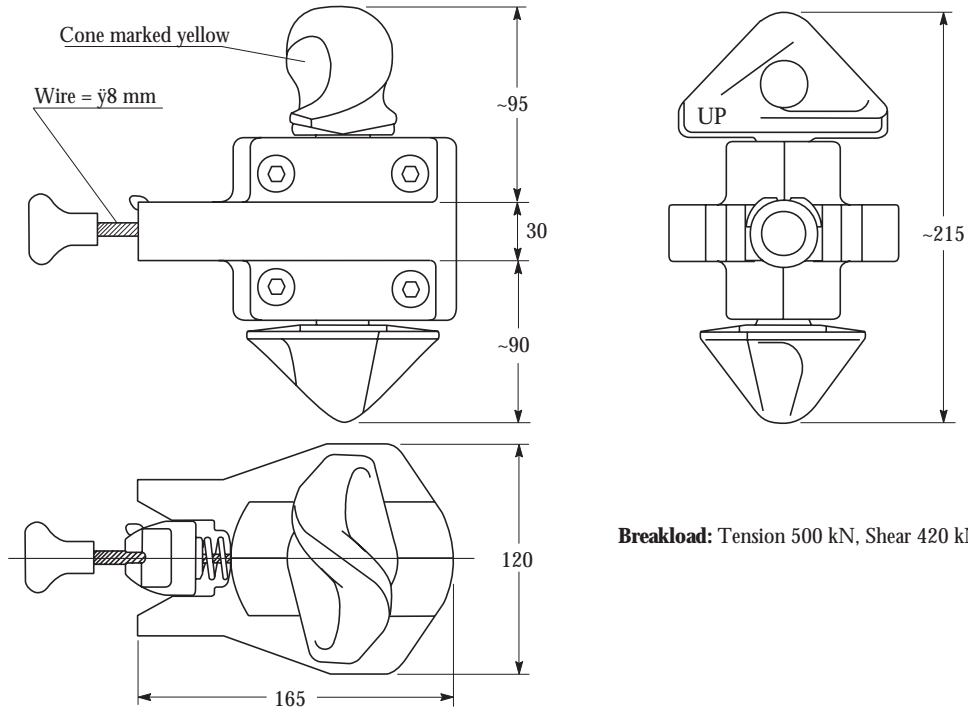
Material Construction	Item Code	Treatment	Weight (kg)	Material Construction	Treatment	Weight (kg)
Drop Forged	IS-4011B.000.50	Hot Dip Galvanized	~3.6	Cast Iron	Zinced	4.0

1. 65 ML-IS-1T Twist Stacker
1. 56 ML-2080 Single Intermediate Stacking Cone

Breakload: Tension 500 kN, Shear 420 kN

Breakload: Shear 420 kN

Material Construction	Item Code	Treatment	Weight (kg)	Material Construction	Item Code	Treatment	Weight (kg)
Drop Forged	TL-9062C.000.55	Hot Dip Galvanized	~7.9	Drop Forged	IS-1019C.000.50	Hot Dip Galvanized	~2.65

1. 65 ML-TL-M/L Midlock
1. 65 ML-IS-1 Single Stacker

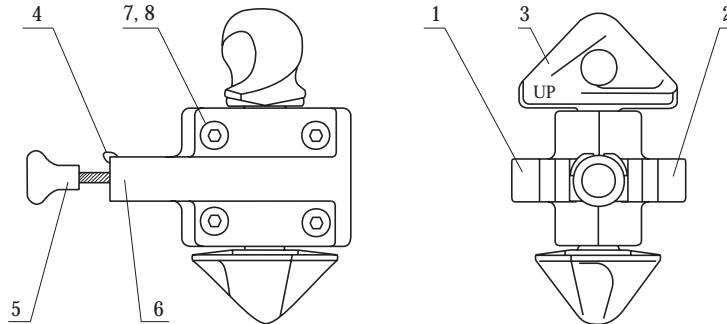
13.11.3: TWISTLOCKS - INTERMEDIATE



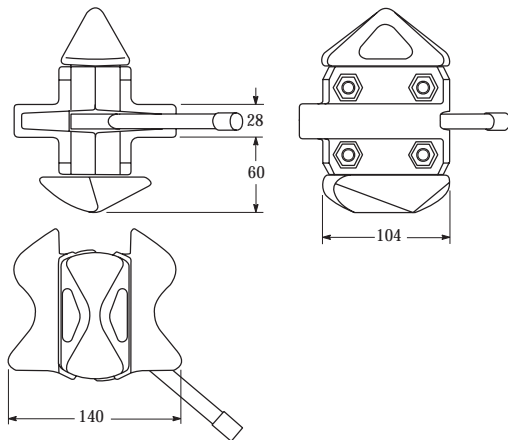
Breakload: Tension 500 kN, Shear 420 kN

Item Code	Material Construction	Treatment	Weight (kg)
TL-5023B.000.54	Drop Forged Cast Iron	Hot-dipped Galvanized	~6.7
1. 65 ML TL-A Semi-Automatic Twistlock			

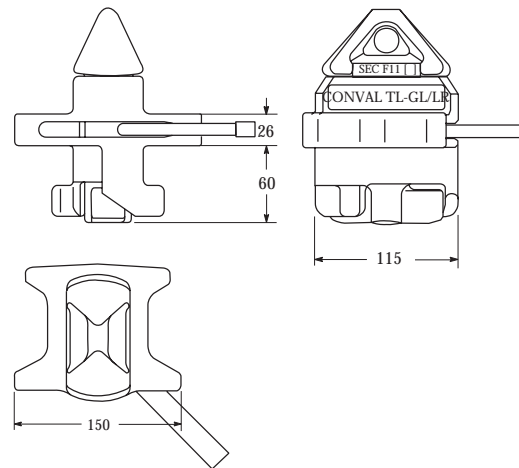
13: Cargo Control

13.11.3: TWISTLOCKS - INTERMEDIATE


Item	Type	Item Code	Treatment	Material	Weight
Semi Automatic Twistlock	TL-A	TL-5023B.000.54	Hot dip galv.	Cast iron drop forged	~6.7
Right half	Pos. 1	TL-5020.000.50	Hot dip galv.	Mild steel	~1.80
Left half	Pos. 2	TL-5019.000.50	Hot dip galv.	Mild steel	~1.80
Cone	Pos. 3	TL-7075.000.54	Hot dip galv.	High tensile steel	~2.60
Locking device	Pos. 4	TL-5003B.000.50	Hot dip galv.	Cast iron	~0.15
Traction rope	Pos. 5	TL-7018.001.00	Untreated	Wire	~0.10
Spring	Pos. 6	TL-7037.000.00	Untreated	Spring steel	~0.02
Hex. sock. head cap screw	Pos. 7	TL-7026.000.51	Electro. galv.		
Nut	Pos. 8	TL-7030.000.51	Electro. galv.		



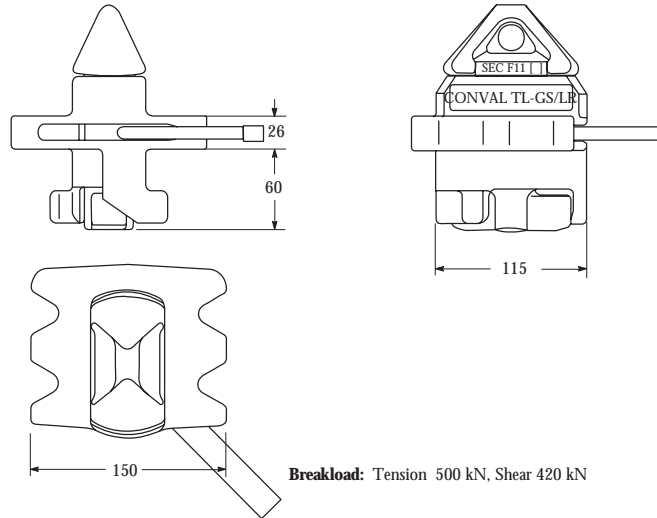
Breakload: Tension 500 kN, Shear 420 kN



Breakload: Tension 500 kN, Shear 420 kN

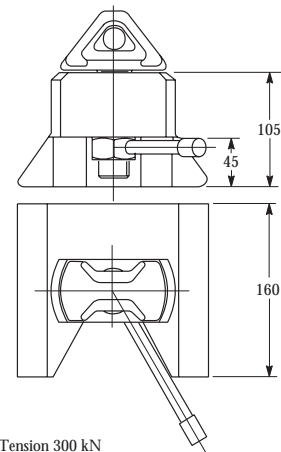
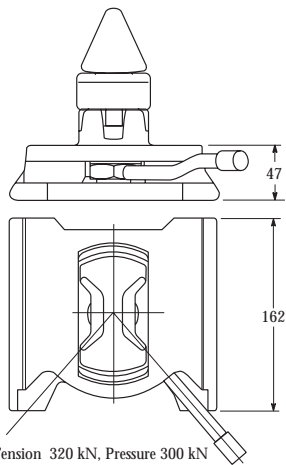
Item Code	Material Construction	Treatment	Weight (kg)	Item Code	Material Construction	Treatment	Weight (kg)
TL-3000.000.50	Drop Forged Cast Iron	Hot-dipped Galv.	~5.3	TLI-1030H.000.50	Drop Forged Mild Steel	Hot-dipped Galv.	~4.85
1. 65 ML TL-L Twistlock				1. 65 ML TL-S Twistlock			

13.11.3: TWISTLOCKS - INTERMEDIATE



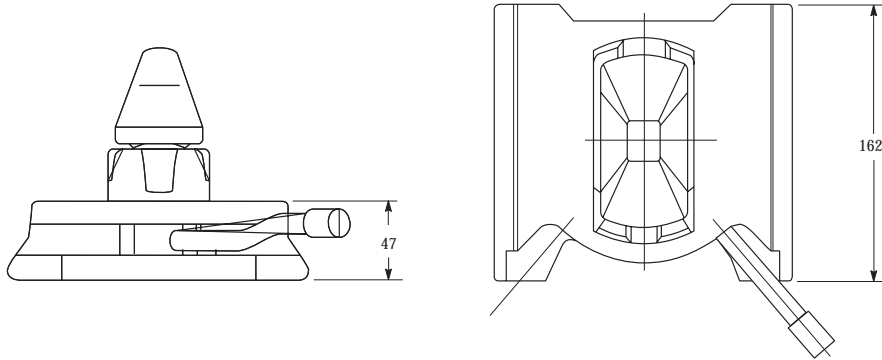
Item Code	Material Construction	Treatment	Weight (kg)
TL-8006H.000.50	Drop Forged Mild Steel	Hot-dipped Galv.	~5.85
1. 65 ML TL-GS Twistlock			

13.11.4: TWISTLOCKS - BOTTOM

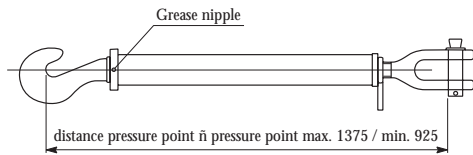
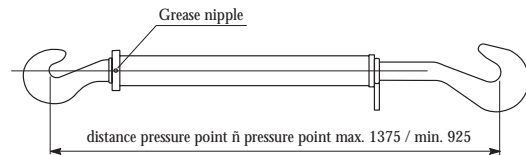


Item Code	Material Construction	Treatment	Weight (kg)	Item Code	Material Construction	Treatment	Weight (kg)
TL-4025B.000.50	Drop Forged Cast Iron	Hot-dipped Galv.	~8.5	TL-4036.000.50	Drop Forged Mild Steel	Hot-dipped Galv.	~10.5
65ML TL-BLL Bottom Twistlock				65 ML TL-BQL/SEC Bottom Twistlock			

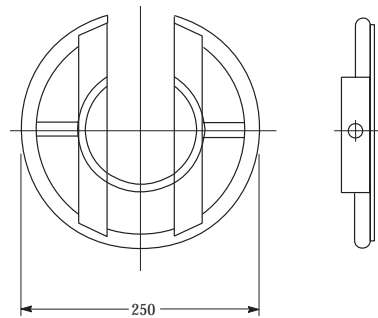
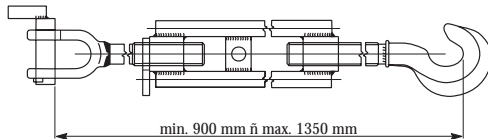
13: Cargo Control

13.11.4: TWISTLOCKS - BOTTOM

Breakload: Tension 360 kN, Shear 420 kN

Item Code	Material Construction	Treatment	Weight (kg)
TL-4039.000.50	Drop Forged Mild Steel	Hot-dipped Galv.	~7.5
1. 65 ML TL-BL Bottom Twistlock			

13.11.5: TURNBUCKLES

Breakload: Tension 500kN

Breakload: Tension 500kN

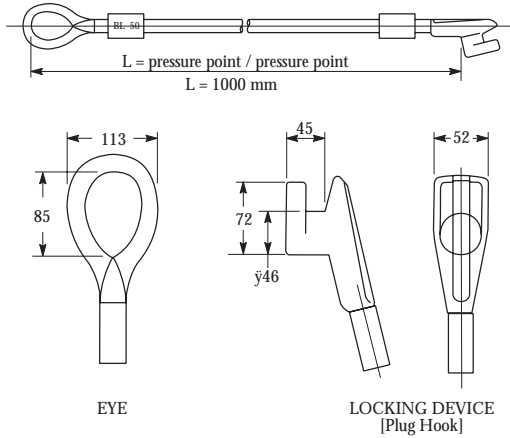
Material	Item Code	Treatment	Weight (kg)	Material	Item Code	Treatment	Weight (kg)
Drop forged mild steel	RS-1010A.000.50	Hot dipped galvanized	~15.4	Drop forged mild steel	RS-1009B.000.50	Hot dipped galvanized	~16.0
1. 65 ML-RS-FH Turnbuckle				1. 56 ML-RS-HH Turnbuckle			



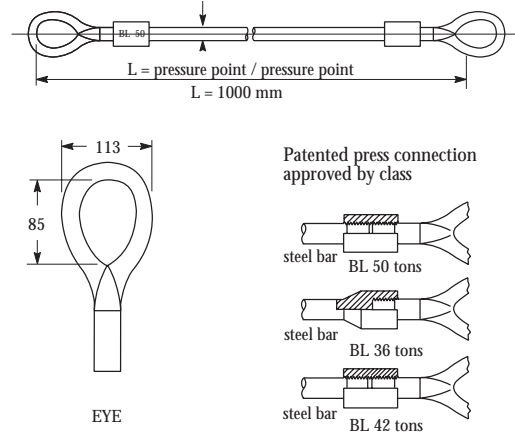
Material	Item Code	Treatment	Weight (kg)
Mild steel	OT-6000.000.50	Hot dipped galvanized	~2.1

1. 56 ML-4010HJ36 Turnbuckle Hook/Jaw Open Body 36T	1. 56 ML-4010HW Handwheel
---	---------------------------

13.11.6: LASHING BARS

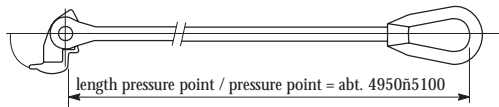


L=Length in mm from pressure point to pressure point.
Please specify when ordering
Breakload: 50 tons (other breakloads and diameters available upon request)
Weight is 6.1 kg for first meter incl. end fittings plus 1.9 kg for each additional meter of material.

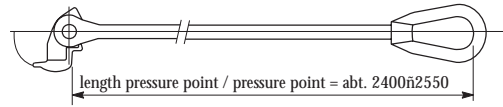


L=Length in mm from pressure point to pressure point.
Please specify when ordering
Breakload: 50 tons (other breakloads and diameters available upon request)
Weight is 6.1 kg for first meter incl. end fittings plus 1.9 kg for each additional meter of material.

Material Construction	Treatment	Weight	Material Construction	Treatment	Weight
Drop forged	Hot dipped galvanized	see above	Drop forged	Hot dipped galvanized	see above
1. 56 ML 4070 Lashing Bar			1. 65 ML R-EE-50 Lashing Bar		



Breakload: Tension 500 kN



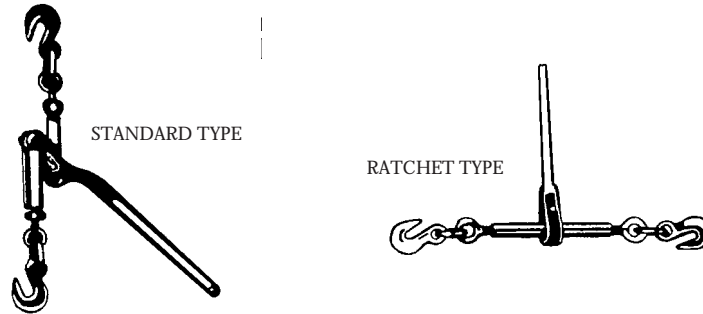
Breakload: Tension 500 kN

Material Construction	Item Code	Treatment	Weight (kg)	Material Construction	Item Code	Treatment	Weight (kg)
Drop forged high tens. steel	R-4002.LNG	Hot dipped galvanized	~25.0	Drop forged high tens. steel	R-4002.SHO	Hot dipped galvanized	~14.0
1. 65 ML R-ES/LNG Lashing Bar				1. 65 ML R-ES/SHO			

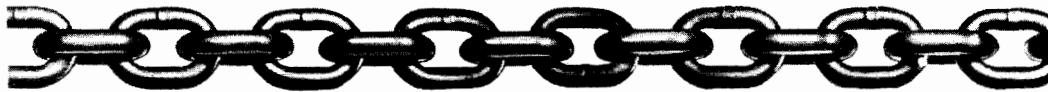
13: Cargo Control

13.11.7: HEAVY DUTY LOAD BINDERS

Completely drop-forged and heat-treated, made from special Mn-Alloy steel, strength to break high test chain, red colored.



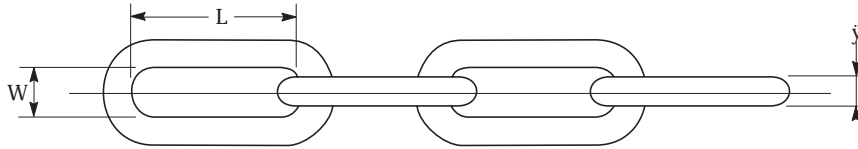
Model Number	Type	Construction	For Chain Size	Length of Handle	Take Up	Breaking Strength	Weight Each
W.M.	STD	Drop Forged and Wire	3/16-1/4	12	3	1,000 lbs.	3
M.M.	STD	Drop Forged	3/16-1/4	12	3	4,500 lbs.	3
B-1	STD	Drop Forged	5/16-1/4	18	4 1/2	19,000 lbs.	8
7-1	STD	Drop Forged	5/16-3/8	16	4 1/2	19,000 lbs.	7.4
B-2	STD	Drop Forged	1/2-5/8	19	4 1/2	26,000 lbs.	13
A-1	STD	Drop Forged	3/8-1/2	18 1/2	4 1/2	33,000 lbs.	11.9
R-7	Ratchet	Mall and Forged	3/8	14	8	19,000 lbs.	10.8
R-A	Ratchet	Mall and Forged	1/2	14	8	33,000 lbs.	12.75



CHAIN, HIGH TEST
 Packed in drums of 300 and 600 Lbs.

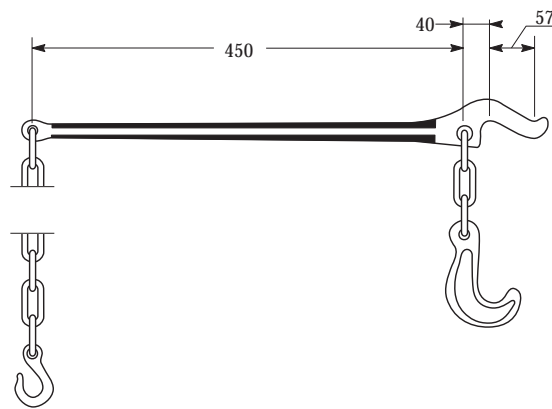
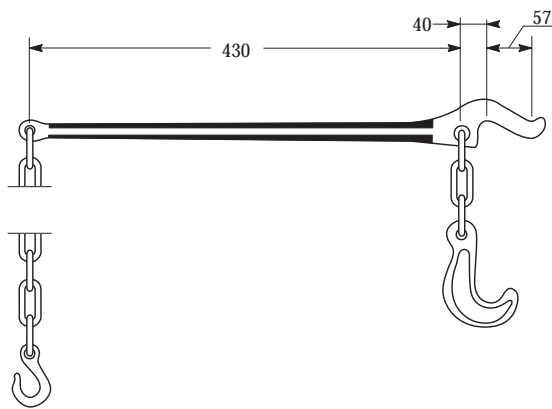
Trade Size, Inches	Material Size, Inches	Inside Length of Link, Inches	Inside Width of Link, Inches	Outside Length of Link, Inches	Outside Width of Link, Inches	Feet per Std. Drum	Approx. Wt. per 100 feet, pounds	Working Load Limit, Pounds	Trade Size, Inches
1/4	9/32	0.82	0.39	1.38	0.95	800	80	2600	1/4
5/16	11/32	1.01	0.48	1.70	1.17	550	123	3900	5/16
3/8	13/32	1.15	0.56	1.96	1.37	400	175	5400	3/8
7/16	15/32	1.29	0.65	2.23	1.59	300	235	7200	7/16
1/2	17/32	1.43	0.75	2.49	1.81	200	300	9200	1/2
5/8	21/32	1.79	0.90	3.10	2.21	150	450	14000	5/8
3/4	25/32	1.96	1.06	3.52	2.62	100	655	19750	3/4

13.11.8: LASHING CHAINS AND COMPONENTS



Part #	Description	Material	Treatment	Inside Length Diameter "L" (mm)	Inside Width Diameter "W" (mm)	Breakload (tons)	Weight (lbs/ft)
56 ML 5151	11 mm chain	C Mn Si Steel	Painted (blue)	63.0	18.0	15.0	1.25
56 ML 5162	13 mm chain	C Mn Si Steel	Painted (orange)	80.0	23.0	20.0	1.98

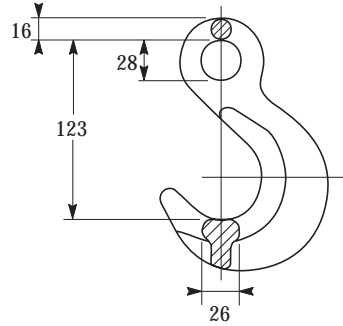
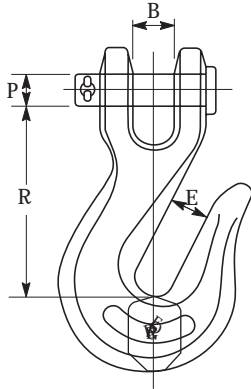
1. 56 ML-516 Lashing chain



1. 56 ML-5140 11 mm Tensioner **1. 56 ML-5150 13 mm Tensioner**

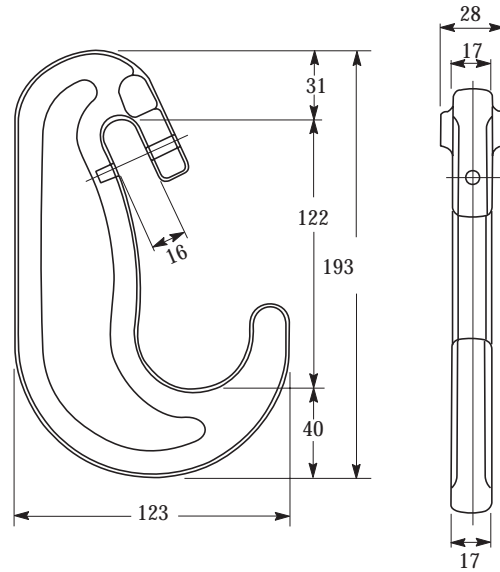
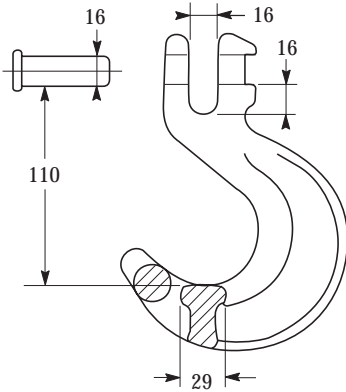
Part #	Description	Material	Treatment	Breakload (tons)	Weight per pc. (kg)
56 ML-5140	11 mm Tensioner	C Mn Steel	Painted (blue)	15.0	4.4
56 ML-5150	13 mm Tensioner	C Mn Steel	Painted (orange)	20.0	5.0

13: Cargo Control

13.11.8: LASHING CHAINS AND COMPONENTS

Breakload: 20 Tons
Note: Used with 13 mm chain.

Size of Chain	Safe Working Load		Dimensions in Inches				Wt. (lbs)
	H-330	A-330	B	E	P	R	
3/8"	5,400	7,500	19/3	1/2	15/3	2 15/32	1.00

Material	Treatment	Weight (kg)
C Mn Steel (Grade 80)	Painted	1.25

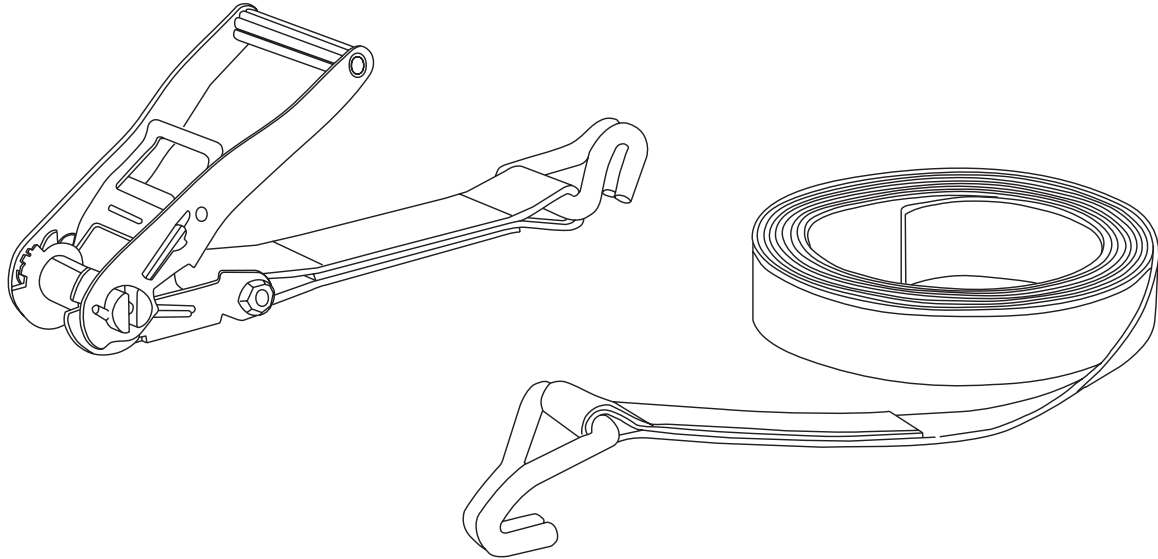
1. H-330 Forged Carbon Steel Grab Hook
1. 56 ML -5030 Eye Hook

Breakload: 20 Tons
Note: Used with 13 mm chain.
Breakload: 20 Tons
Note: Used with 13 mm chain.

Material	Treatment	Weight (kg)
C Mn Steel (Grade 80)	Painted	1.46

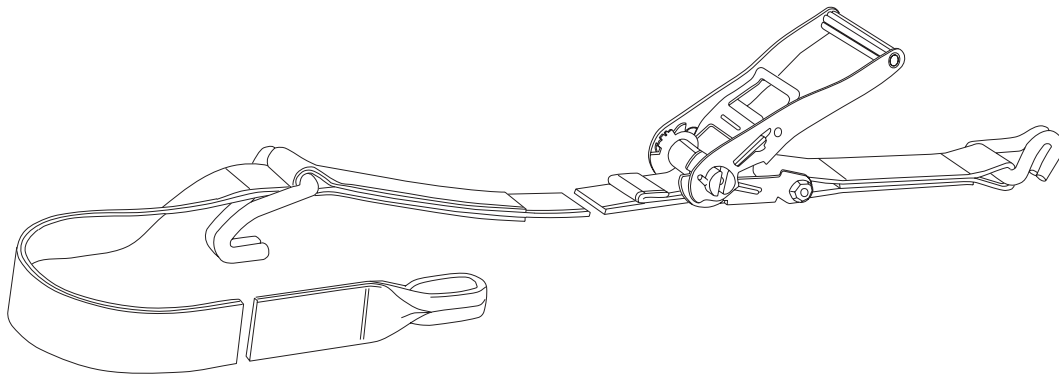
Material	Treatment	Weight (kg)
C Mn Steel (Grade 80)	Painted	1.5

1. 56 ML-5050 Clevis Hook
1. 56 ML-5057 Clevis Hook

13.11.9: RO-RO/LO-LO EQUIPMENT - WEB LASHINGS

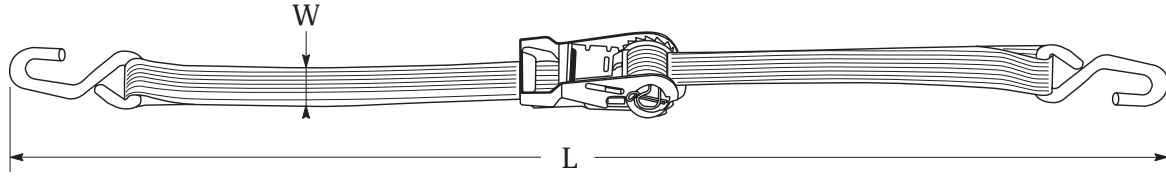


Breakload	Length	Width
8800 lb	30 feet	2 inch
1. 61 ML-RAT4 Ratchet Strap Assembly		



Length hook to eye 1 m dubblex webbing

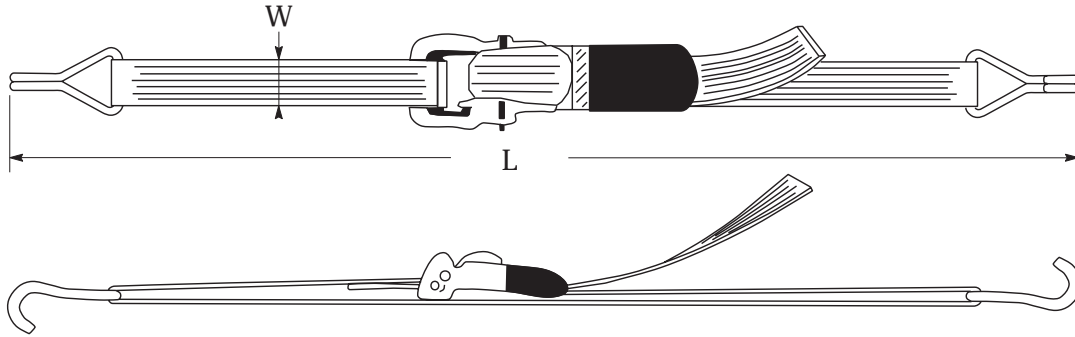
Breakload	Length	Weight
5000 kg	B/B 3.2 m (or upon request)	2.3 kg
1. 61 ML-ROLLASH Rollash		

13.11.9: RO-RO/LO-LO EQUIPMENT - WEB LASHINGS


Offered with PVC-dipped Thread Hooks and White webbing

Webbing Width (W) mm	Length (L) Min-Max (mm)	Breakload (kg)
25	500-2400	3600

61 ML-CL-RAT Ratchet Strap Assembly



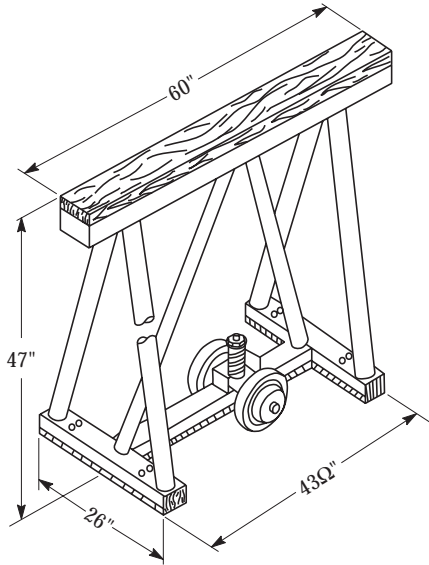
Offered with PVC-dipped Flat Hooks or Thread Hooks. Please specify when ordering.

Webbing untreated, unless otherwise requested.

Webbing Width (W) mm	Length (L) Min-Max (mm)	Breakload (kg)
25	500-2000	1500
27	500-2000	1500
28	500-2000	2000

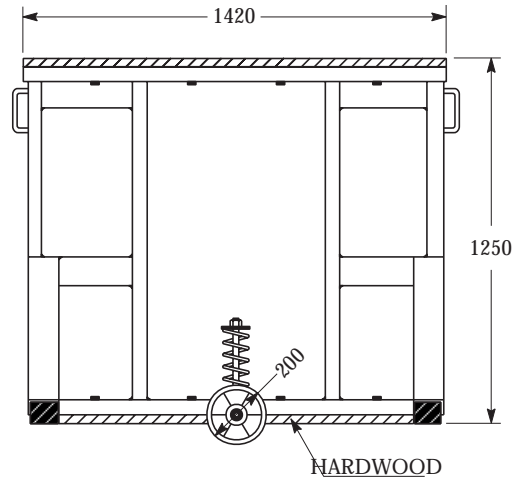
61 ML-CL-K Car Lashing

13.11.10: RO-RO/LO-LO EQUIPMENT - TRAILER TRESTLES AND JACKS

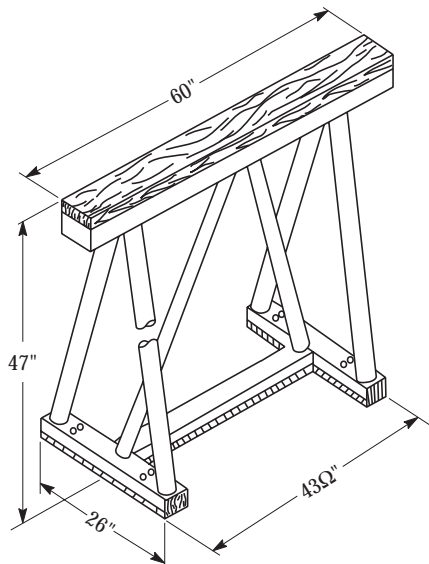


S.W.L. 25 Tons

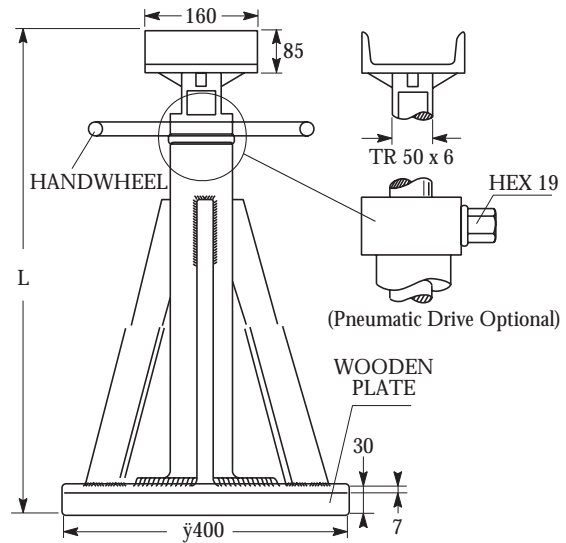
1. 65 ML TT3 Trailer Trestle



1. 65 ML TT3 Trailer Horse



1. 65 ML TT3 Trailer Trestle



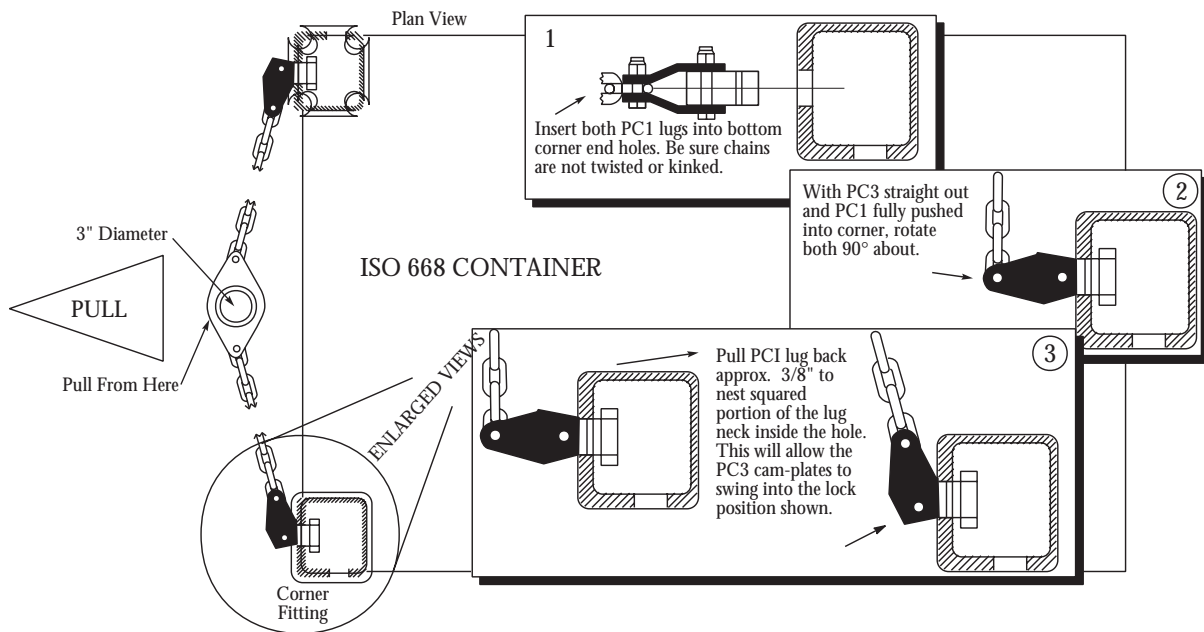
Characteristic/ Type	Height Adjustment Min/Max (mm)	Unit Weight	Breaking Load (tons)
Handwheel	750-1050	36 kg	48.0
Pneumatic	750-1050	38 kg	48.0
Handwheel	950-1250	39 kg	48.0
Pneumatic	950-1250	41 kg	48.0

1. 65 ML-ML-TL Trailer Jack

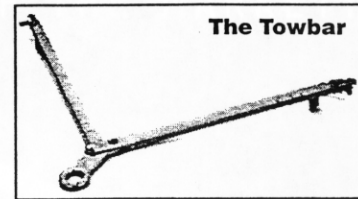
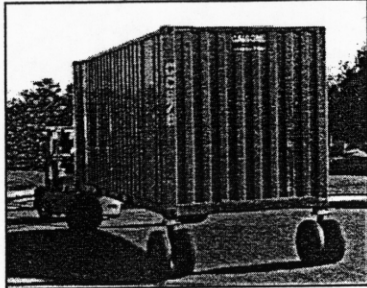
13: Cargo Control

13.11.11: MISC. EQUIPMENT - PULLING CHAIN ASSEMBLY

WEIGHT: 46 LB. • PAINTED

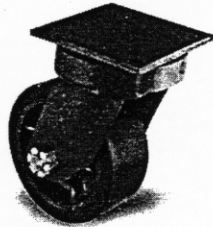


13.11.12: CONTAINER CASTERS



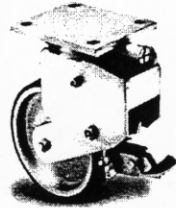
Polyurethane Tread Casters

CASTER CAPACITY	DIAMETER (INCHES)	WIDTH (INCHES)	OVERALL HEIGHT	WEIGHT (APPROX)	BOLT HOLE PATTERN
2,500	8	3	10 1/8	19.5	3 3/8 X 5 1/4
3,000	10	3	11 1/2	22.5	3 3/8 X 5 1/4
5,000	10	5	12 1/2	32.0	4 1/2 X 6
6,000	12	5	15 1/2	48.0	4 1/2 X 6
8,400	16	5	19	60.0	4 1/2 X 6
10,000	10 DUAL WHEELS	5	13 1/2	115.0	7 X 7
12,000	12 DUAL WHEELS	5	15 1/2	90.0	7 X 7
16,800	16 DUAL WHEELS	5	19 1/2	200.0	7 X 7



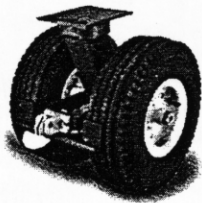
Shock Absorbing Casters

CASTER CAPACITY	DIAMETER (INCHES)	WIDTH (INCHES)	OVERALL HEIGHT	WEIGHT (APPROX)	BOLT HOLE PATTERN
min 1000 max 2000	8	3	11	27	7 x 7
min 4400 max 6000	12	5	17	290	7 x 7
min 5000 max 7000	16	5	21	345	7 x 7



Pneumatic Casters

CASTER CAPACITY	DIAMETER (INCHES)	WIDTH (INCHES)	OVERALL HEIGHT	WEIGHT (APPROX)	BOLT HOLE PATTERN
2,460	16	6.50	19 1/8	71	7 x 7
3,120	18	5.70	21 1/2	82	7 x 7
4,840	21	6.90	24 1/4	130	7 x 7
5,550	23	6.50	26 1/4	135	7 x 7
7,250	25	7.50	28 3/4	140	7 x 7
10,000	19.54	8.0	23 5/8	CALL	7 x 7
15,000	24.88	11.0	30.0	CALL	7 x 7



Forged Steel

CASTER CAPACITY	DIAMETER (INCHES)	WIDTH (INCHES)	OVERALL HEIGHT	WEIGHT (APPROX)	BOLT HOLE PATTERN	CASTER PART NO.	SWIVEL	
							R	R
40,000	8	4	11 1/2	86	7 x 7	2125FST0840	S	R
40,000	10	4	13 1/2	100	7 x 7	295FST1040	S	R

13: Cargo Control